

High Pressure Double Vane Pump HT6CCZ Series (Truck Pump)

Features and Handling

• HT6CCZ Series is fixed displacement and balanced type double vane pumps. The pump is designed to carry high shaft loads by double row ball bearing at the front and needle ball bearing at the rear.



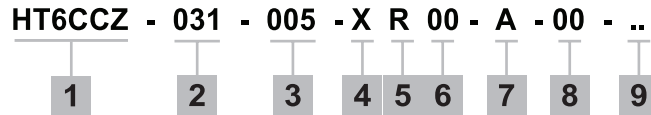
*Foot Mounting is available for each pump. For more details, see Foot Mounts.

Specification

Shaft End Pump				Cover End Pump				Max. speed rpm	Weight kg (lb)
Size	Displacement cm ³ /r 1(in ³ /r)	Max. Intermittent Pressure bar (psi)	Max. Continuous Pressure bar (psi)	Size	Displacement cm ³ /r 1(in ³ /r)	Max. Intermittent Pressure bar (psi)	Max. Continuous Pressure bar (psi)		
003	10.8 (0.66)	280 (4000)	240 (3500)	003	10.8 (0.66)	280 (4000)	240 (3500)	2800	27.0 (59.4)
005	17.2 (1.05)			005	17.2 (1.05)				
006	21.3 (1.30)			006	21.3 (1.30)				
008	26.4 (1.61)			008	26.4 (1.61)				
010	34.1 (2.08)			010	34.1 (2.08)				
012	37.1 (2.26)			012	37.1 (2.26)				
014	46.0 (2.81)			014	46.0 (2.81)				
017	58.3 (3.56)			017	58.3 (3.56)				
020	63.8 (3.89)			020	63.8 (3.89)				
022	70.3 (4.29)			022	70.3 (4.29)				
025	79.3 (4.84)	210 (3000)	160 (2300)	025	79.3 (4.84)	210 (3000)	160 (2300)	2500	
028	88.8 (5.42)			028	88.8 (5.42)				
031	100.0 (6.10)			031	100.0 (6.10)				

High Pressure Double Vane Pump HT6CCZ Series (Truck Pump)

Ordering Code



1. Model : HT6CCZ

8. Port Connection

2. Shaft End Pump
Ring Size (USgpm)
HT6CCZ - 003,005,006,008,010,012,014,017
020,022,025, 028, 031

Code		4 bolt SAE flanges		
UNC	Metric	P1	P2	S
00	0M	1"	1"	3"
01	M0	1"	3/4"	3"
10	1M	1"	1"	2½"
11	M1	1"	3/4"	2½"

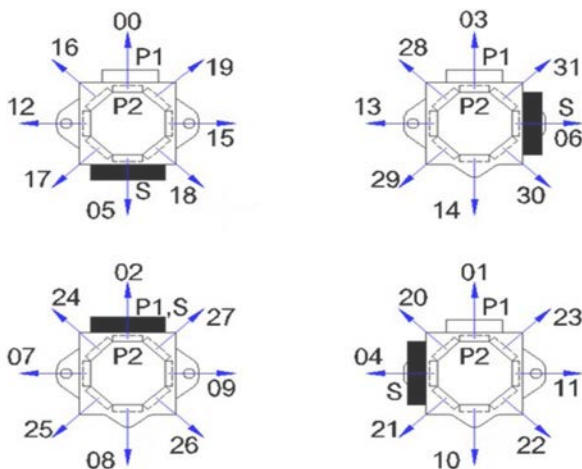
3. Cover End Pump
Ring Size (USgpm)
HT6CCZ - 003,005,006,008,010,012,014

4. Shaft
X - Keyed Shaft
W - Keyed Shaft
V - Keyed Shaft

9. Modifications

5. Shaft Rotation (Viewed from shaft end)
R - Turn right
L - Turn left

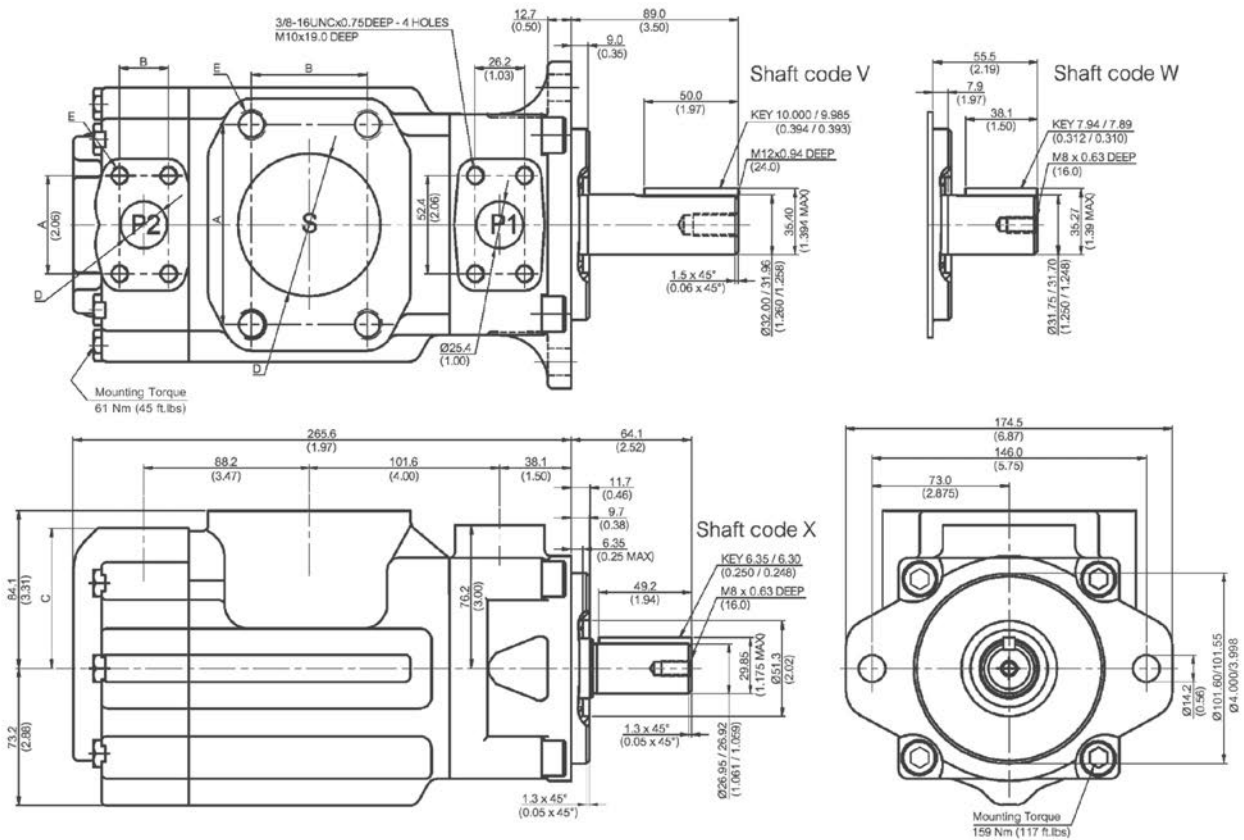
6. Port Position (Viewed from cover end)
2 digits code presents the position of cover end outlet (P2) at various position of shaft end outlet(P1) and inlet (S)



7. Design letter

High Pressure Double Vane Pump HT6CCZ Series (Truck Pump)

Installation Dimension mm (inch)



Port	A	B	C	D	E
S	406.4 (4.19)	61.9 (2.44)	-	Ø 76.2 (3.00)	5/8" - 11 UNC x 1.12 DEEP (M16 x 28.4 DEEP)
S	88.9 (3.50)	50.8 (2.00)	-	Ø 63.5 (2.50)	1/2" - 13 UNC x 0.94 DEEP (M12 x 24.0 DEEP)
P2	47.6 (1.874)	22.2 (0.874)	76.2 (3.00)	Ø 19.0 (0.75)	3/8" - 16 UNC x 0.75 DEEP (M10 x 19.0 DEEP)
P2	52.4 (2.06)	26.2 (1.03)	74.7 (2.94)	Ø 25.4 (1.00)	