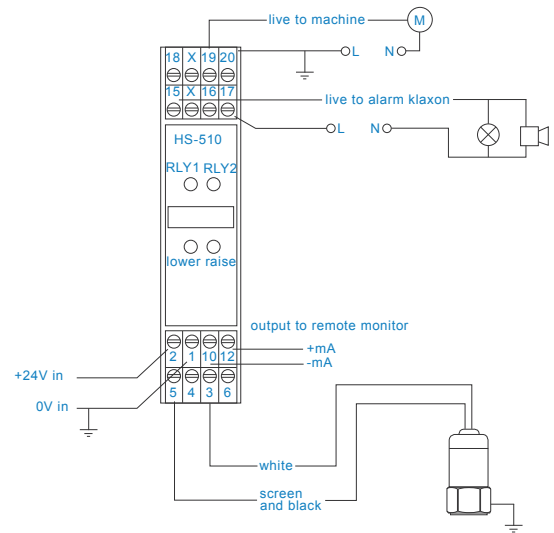


HS-510 Vibration Trip Module

with LED display

Key Features

- Fully configurable
- Delay start-up
- Dual relays
- Various inputs
- Relay inhibit



Technical Performance

Input	0-10VDC or 4-20mA from HS-420 or HS-530, HS-535, HS-556 or HS-557
Power Requirements	16 to 30 VDC (HS-570 Power Supply Module)
Maximum Current	120 mA
Display Range Options	0-100 mm/sec (programmable) 0-100g (programmable) 0-100 °C
Display	3½ digit (Green LED)

Mechanical

Case Material	Plastic
Mounting	DIN Rail TS35 (Top Hat)
Dimensions	4.5 x 3.9 x 0.9 in (HxDxW)
Connections	Screw Clamp
Conductor Size	0.02 to 0.2 in
Weight	4.9 oz. (nom)

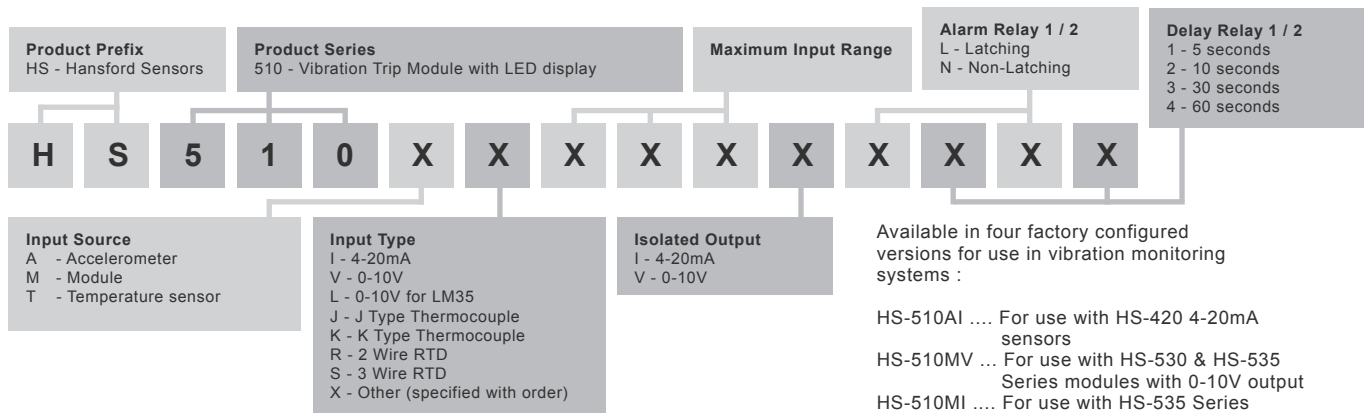
Electrical

Set Points	Dual relays (front panel programmable)
Relay Rating	3 Amps at 240 Volts AC
Relay Status	N/O or vN/C
Relay Delays	Latching / Non Latching
Outputs	Up to 1200 secs 4-20 mA or 0-10 Volts DC

Environmental

Operating Temperature Range	32 to 140°F
Installation Category (IEC664)	II
Equipment Class (IEC536)	III
EMC	EN61326-1:2013

How To Order



Available in four factory configured versions for use in vibration monitoring systems :

HS-510AI For use with HS-420 4-20mA sensors

HS-510MV ... For use with HS-530 & HS-535 Series modules with 0-10V output

HS-510MI For use with HS-535 Series modules with 4-20mA output

HS-510TL For use with LM35 temperature sensors as used in HS-100T sensors



www.hansfordsensors.com
sales@hansfordsensors.com



We reserve the right to alter the specification of this product without prior notice
TS022U.3