

Product Information

Conductive Point Level Sensor SLR430-1

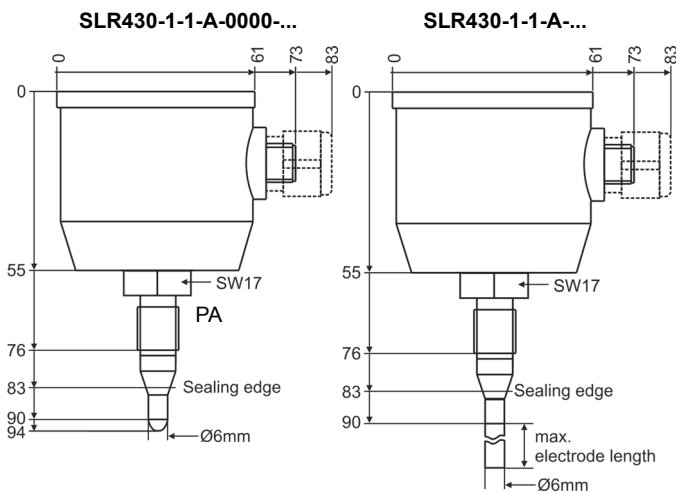


- 1 point level
- Process connection GHMadapt M12x1,5
- Round case SS-type Ø 59 mm
- No moving parts in the medium
- Without electronic
- Passive sensor

Technical data

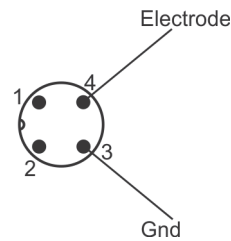
Number of electrodes : 1
 Electrode length : 4..200 mm
 Process temperature : -20..+120 °C, 140 °C < 30 min
 CIP-/SIP-capable
 Ambient temperature : -20..+80 °C
 Process pressure : -1..+10 bar
 Process material : 1.4404, PEEK, PFA-coated,
 FDA conform
 Process connection : compatible to standard hygienic threads
 M12x1.5
 Stud torque : 5..10 Nm
 Case : round case SS-type Ø 59 mm
 Material : 1.4305
 Electrical connection : M12 plug or cable gland M16x1.5
 Polyamide (PA) or SS-type 1.4305
 Protection class : IP67 / IP69K

Dimensions



Connection diagram

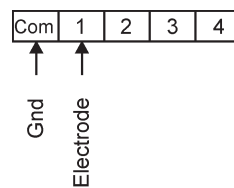
M12 device plug, 4-pole



Cable colors:

1 = n.c. , 2 = n.c. , 3 = blue, 4 = black

Internal terminal strip



Ordering code

SLR430 - 1. - 2. - 3. - 4. - 5. - 6. - 7. - 8.

1. Process connection (PA)	
1	M12x1.5
2. Number of electrodes	
1	1 electrode
3. Electrode type (rod or cable)	
A	rod
4. Electrode length [mm]	
0000	stub rod
0200	200
XXXX	customized length (on request)
5. Electrode surface	
0	uncoated (standard)
1	PFA, black coated
6. Electrical connection	
0	M12 plug
1	cable gland PA
2	cable gland 1.4305
7. Options	
00	without option
8. Certificate DIN EN 10204, indicate only when required	
WZ2.2	factory certification 2.2