

LINARIX LINEAR SENSOR SL-X1



General Data

	2m	3m	5m	10m	15m
Draw Wire Model	SL-X1				
Measurement Range	2m [6.56']	3m [9.85']	5m [16.40']	10m [32.80']	15m [49.21']
Draw Wire Weight	1.1kg [2.42lb]	1.5kg [3.30lb]	2.5kg [5.51lb]	3.5kg [7.72lb]	5kg [11.02lb]
Operating Temperature	-30 to +70°C [-22 to 158°F]				
Draw Wire Accuracy	± 0.1 % FSO				
Repeatability	± 0.05 % FSO				
Actuation Lifetime	1 Mio Cycles				

LINARIX LINEAR SENSOR SL-X1

Ordering Info

	2m	3m	5m	10m	15m
Article Number	32490805 ¹⁾	32490806 ¹⁾	32490905 ¹⁾	32490951 ¹⁾	32490954 ¹⁾
Article Name	Draw-Wire- SL3002/GS80 X1-2000	Draw-Wire- SL3003/GS80 X1-3000	Draw-Wire- SL3005/GS130 X1-5000	Draw-Wire- SL3010/GS130 X1-10000	Draw-Wire- SL3015/GS130 X1-15000
Approx. Lead Time	4-6 Weeks	4-6 Weeks	4-6 Weeks	4-6 Weeks	4-6 Weeks

1) Coupling (6mm-6mm) included

Mechanical Data

	2m [6.56']	3m [9.85']	5m [16.40']	10m [32.80']	15m [49.21']
Max. Measurement Length					
Draw Wire Enclosure	Machined Metal – Rectangular Housing				
Draw Wire Housing Material	Anodized Aluminium				
Wire Material	Stainless Steel				
Wire Diameter	1.35 mm				
Wire Drum Circumference	200 mm		334.1 mm		
Max. Speed of Wire Displacement	8 m/s				6 m/s
Max. Extension Force	15		21		
Min. Retraction Force	5		10		
Wire Mounting	Eyelet				

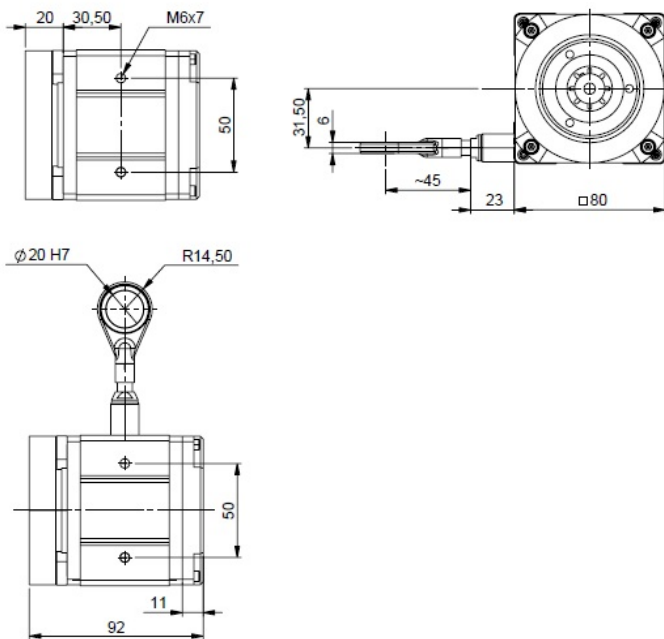
Encoder Compatibility (Mechanical)

LINARIX LINEAR SENSOR SL-X1

Flange Type	Synchro
Flange Diameter	Ø 58 mm (Ø2.28")
Shaft Diameter	6 mm

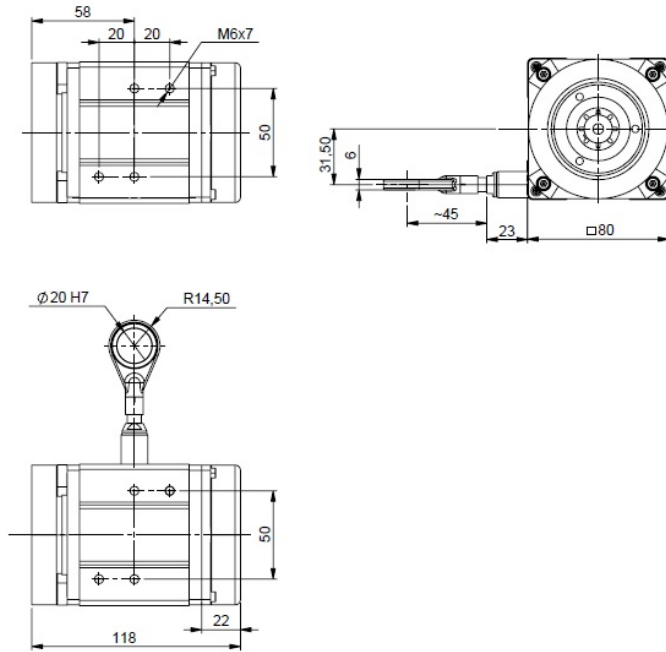
Dimensional Drawing

SL-X1 (2m)

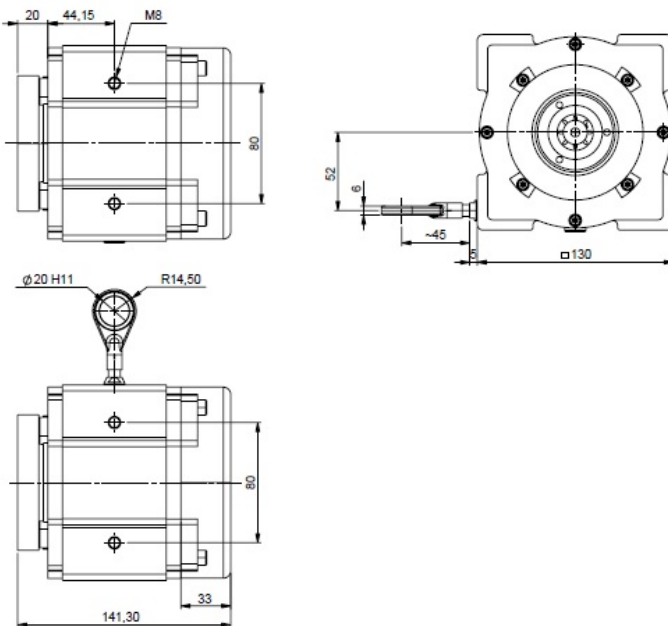


LINARIX LINEAR SENSOR SL-X1

SL-X1 (3m)

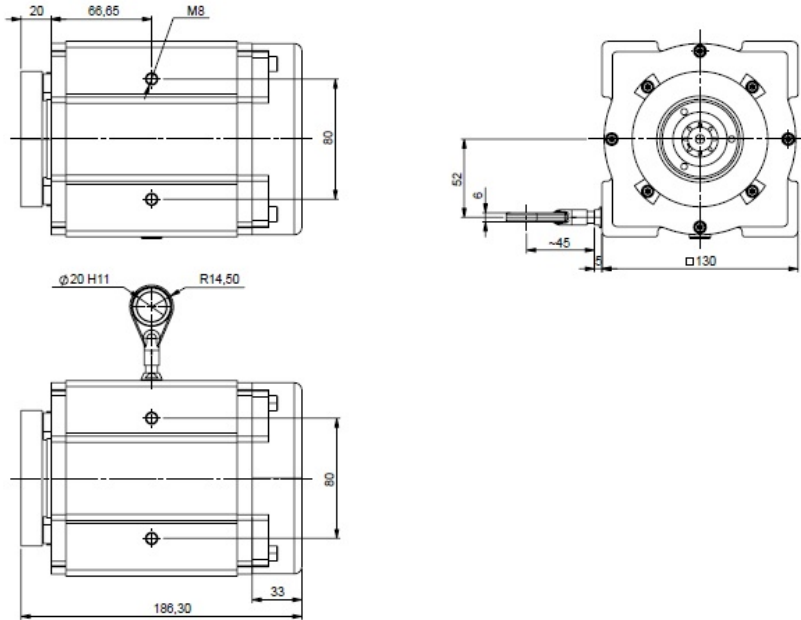


SL-X1 (5m)

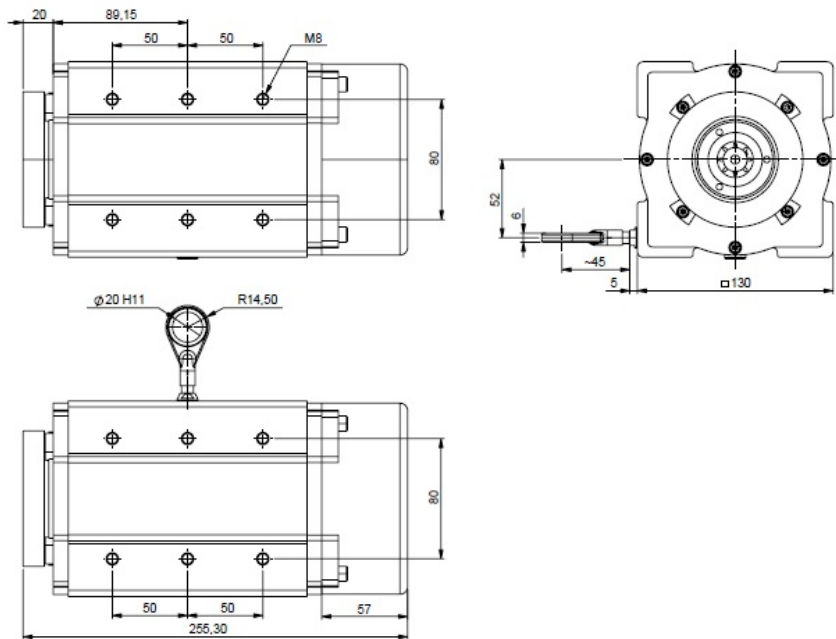


LINARIX LINEAR SENSOR SL-X1

SL-X1 (10m)



SL-X1 (15m)



LINARIX LINEAR SENSOR
SL-X1

All dimensions in mm [inch]. This drawing and the information contained is for general presentation purposes only. Please refer to the "Download" section for detailed technical drawings.

© FRABA N.V., All rights reserved. We do not assume responsibility for technical inaccuracies or omissions. Specifications are subject to change without notice.