

Product information

# Load Cell Series KS



- Measuring ranges from 50 kg up to 100 t
- Operating temperature -15..+75 °C
- Accuracy 0.2 %
- Protection class IP65

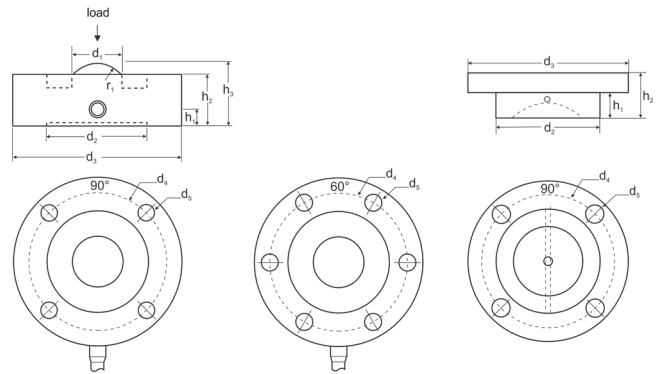
## Characteristics

The cell is specified for industry applications like tanks, lorries, silos, and weighing bridges for force loads up to 100 t.

## Technical data

Power supply	
Bridge supply	: max. 20 V DC, 10 V DC recommended
Max. operating temperature	: -20..70 °C
Bridge resistance	: 350 (model 1-3)/700 Ohm (model 4)
Output signal	: 2 mV/V, exact sensitivity on the type plate
Insulation resistance	: > 5000 MOhm
Accuracy	: 0.2 %
Repeatability	: <0.07 %
Zero unbalanced	: ± 2 %
Max. overload	: ± 150 %
Breaking load	: 300%
Connection cable	: 2 m 6-pole shielded, AWG26
Protection class	: IP67
Material	:

## Dimensions



Design 01/02/03

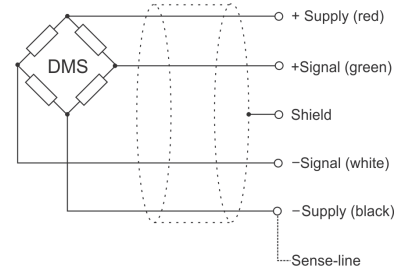
Design 04

Mounting saddle  
MS01..04

Dimension table [mm]

Design	ød1	ød2	ød3	ød4	ød5	h1	h2	h3	r1	N
01	10	60	78	69	4.5	9.5	27	29	7	4
02	20	70	99	85	6.5	9.5	27	31	15	6
03	30	80	118	98	8.5	9.5	35	42	20	4
04	72	122	177	149	16.5	13	55	78	40	4
Mounting saddle						N = Number of mounting holes				
MS-01	-	16	38	27	4.5	9	15	-	-	4
MS-02	-	40	78	60	8.5	15	25	-	-	4
MS-03	-	40	78	60	8.5	15	25	-	-	4
MS-04	-	110	177	149	16.5	33	50	-	-	4

## Connection diagram



The sense line is used to compensate line resistance from load cell to DMS transmitter. For distances more than 5 m it is recommended to use the sense line.

## Ordering code

KS -  1. -  2. -  3.

<b>1. Design (see dimensions)</b>	
01	nominal load 50 / 100 / 200 / 500 kg
02	nominal load 1 / 2 / 5 t
03	nominal load 5 / 10 t
04	nominal load 20 / 50 / 100 t
<b>2. Measuring range [kg or t]</b>	
please state in clear text	
<b>3. Options</b>	
00	without option

## Accessories

Mounting saddle	
MS-01	for design 01
MS-02	for design 02
MS-03	for design 03
MS-04	for design 04