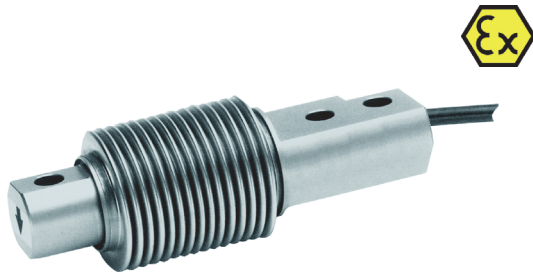


Product Information

Load-Cell Series SB8



- Standard- or Ex-devices
- Measuring range from 10..500 kg
- Operating temperature -20..+60 °C
- Accuracy 0.05 % (0.02 % optional)
- Protection class IP67

Characteristics

The shear-beam cell type SB8 is completely tightly welded made from stainless steel. The cell is specified for industry applications like plate form-, table bridges, small container and tank weighbridges.

The load cell was conceived for nominal loads up to 500 kg.

Technical data

Power supply

Bridge supply : max. 15 V DC
 Operating temperature : -40..+60 °C
 -10..+40 °C compensated range

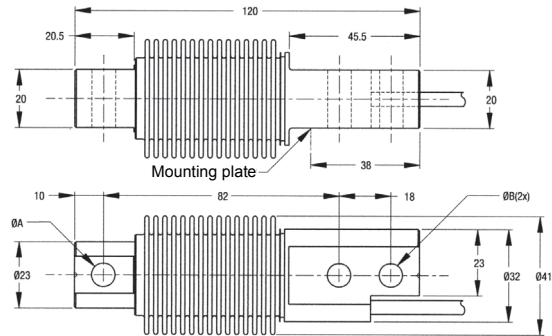
Approvals : ATEX- approval for Ex-area
 Zone 0, 1, 2, 20, 21 and 22
 FM approval

Bridge resistance : 375 Ω
 Output signal : 2 mV/V, exact sensitivity
 on the type plate

Isolation resistance : >5000 MΩ
 Accuracy : 0.05 %, or 0.02%
 Repeatability : <0.025 %
 Zero unbalance : <5 %
 Max. overload : 200 %
 Breaking load : 300 %
 Connection cable : 3 m, 6-pole shielded, AWG26

Protection class : IP68
Material : stainless steel 1.4548
Weight : max. 0.8 kg,
 inclusive package

Dimensions

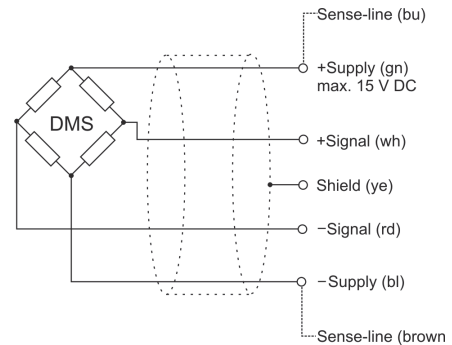


Dimension table

Model size	A	B	Mounting screw	Torque
01	8.2	8.2	M8 / quality 8.8	25 Nm
02	10.5	8.2	M8 / quality 10.9	35 Nm

Grease the screw thread!

Connection diagram



The sense line is used to compensate line resistance from load cell to DMS transmitter. For distances more than 5 m it is recommended to use the sense line.

Ordering code

SB8 - 1. - 2. - 3. - 4.

1. Design	
00	standard for non-Ex applications
Ex	Ex applications acc. to KEMA 02ATEX 1123X
2. Frame size (see dimensions)	
01	nominal load 10 kg..250 kg
02	nominal load 500 kg
3. Nominal load [kg]	
10	
20	
50	
100	
250	
500	
4. Options	
00	without option
01	accuracy 0.02 %