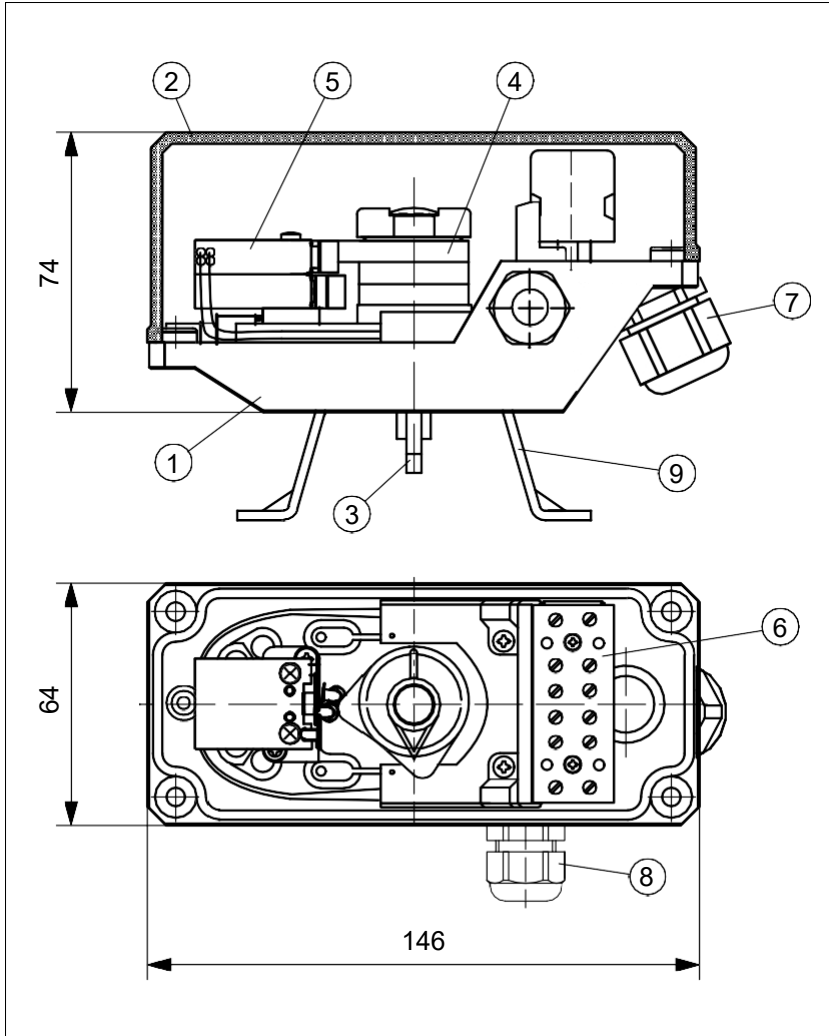


TCR-Module for hazardous areas with two micro switches Crouzet 83.139.1 in Vestamid-Housing 146 x 64 x 74 mm, protection class Ex ed IIC T6 Gb with solenoid connection M12x1,5



TECHNICAL DATA

Manufacturer: Crouzet
 Type: 83.139.1
 Micro switch
 Switching capacity: 5 A, 250 V AC
 Contacts: Silver-Nickel
 Economic life-time: 5 x 10⁶ switching cycles
 Temperature: -20..... +85°C
 Housing base: Vestamid, black
 Housing cover: Vestamid, black
 Sealing: EPDM
 Ingress protection: IP65
 Switching precision: <1.5°
 System connection: Cable gland M20x1,5
 Clamp. range 5,5 - 13 mm
 Solenoid connect.: Cable gland M12x1,5
 Clamp. range 4 - 7 mm



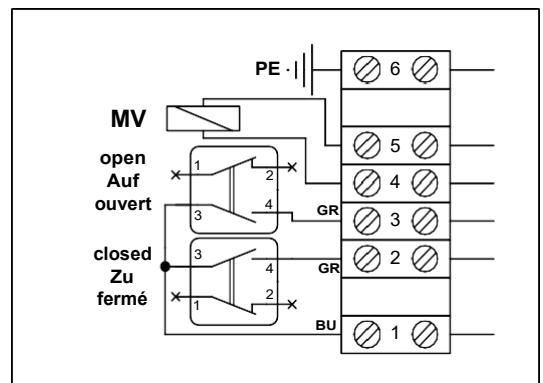
II 2G Ex ed IIC T6 Gb
PTB 02 ATEX 1150

ROTECH
 SYSTEMKOMPONENTEN

OBJECT LIST

Pos.	Pcs.	Bezeichnung	Material
1	1	Housing base	Vestamid
2	1	Housing cover	Vestamid
3	1	TCR-Axis	POM
4	1	Switch cam system	POM
5	2	Micro switch Ex d IIC T6	-
6	1	Terminal block Ex e II	-
7	1	Cable gland Ex e II M20x1,5	PA
8	1	Cable gland Ex e II M12x1,5	PA
9	1	Bracket size 1-4	A2

WIRING DIAGRAM



EC INSTRUMENTS & ENGINEERING PTE LTD (201422193-H)

EC INSTRUMENTS & ENGINEERING SDN BHD (1080893-P)

6 Penjuru Place,

#B-09-01 Kompleks Austin Perdana 2, Jalan Austin Perdana 2,

#01-31, 2-8 Penjuru Tech Hub, Singapore 608781

Taman Austin perdana 2, 81100 Johor Bahru, Johor, Malaysia.

Tel : +65-9631 2280

Fax : +65-6774 0200

Tel : +607-361 6238

Fax : +607-361 6235