

JL Series

Insulated Vapor Barrier

Wall to Wall
 Wall to Corner
 Roof to Roof
 Roof to Wall



Movement Rating \pm 90%

Product Guide



- ▶ Exterior grade moisture barrier for horizontal and vertical building applications
- ▶ Can be mounted behind a wide range of expansion joint cover systems
- ▶ Maintains an R-value equivalent to the exterior wall systems in your project
- ▶ Consists of nylon-reinforced 45 mil thick EPDM membranes sandwiching commercial grade ECOBatt insulation which is then adhered and mechanically pinned to form a seismic-capable assembly
- ▶ Product is provided complete with male/females ends and high-grade 60mil EPDM flashing
- ▶ Third Party tested under ASTM E283/ E330/ E331 for Air, Water, and Structural integrity. Complies with many hurricane-level lateral load testing requirements. Also confirmed R-value thermal performance confirmation under ASTM 1361 testing.

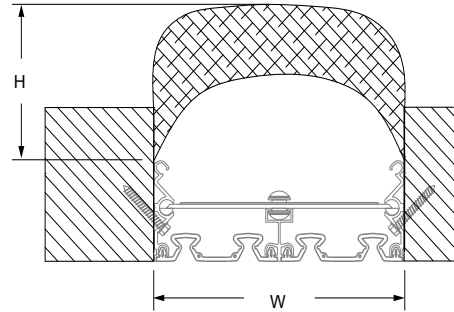
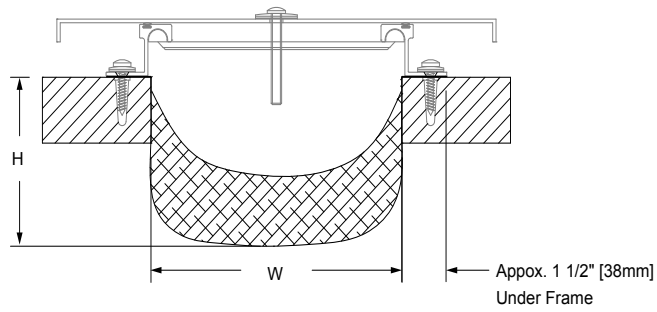
Application	System	W Joint Width		H Insulated Vapor Barrier Depth		Movement \pm	
		US	mm	US	mm	Compression/Expansion	
						US	mm
WALL TO WALL WALL TO CORNER ROOF TO ROOF ROOF TO WALL	JL004-IVB	4"	102	5"	127	3 5/8"	92
	JL006-IVB	6"	152	5"	127	5 7/16"	138
	JL008-IVB	8"	203	6"	152	7 3/16"	183
	JL010-IVB	10"	254	7"	178	9"	229
	JL012-IVB	12"	305	8"	203	10 13/16"	275
	JL018-IVB	18"	457	10"	457	16 3/16"	411
	JL024-IVB	24"	610	12"	305	21 5/8"	549
	JL028-IVB	28"	711	14"	356	25 1/4"	641

IPC.776/REV.4

JL Series

Insulated Vapor Barrier

JL Series
Secured with EJ Cover Frames



JL Series
Secured with Termination Bar

