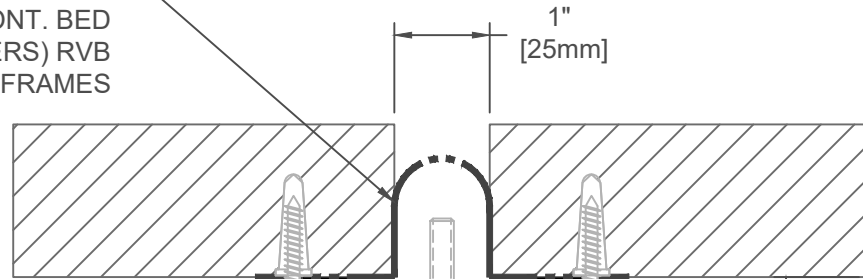


REINF. EPDM VAPOR BARRIER
(JL006-RVB) NOTE: SET IN CONT. BED
OF BUTYL SEALANT (BY OTHERS) RVB
TERMINATES AT END OF FRAMES



PLASTIC PLUG KIT W/ NEOPRENE
WEATHER WASHER (7 PER FRAME)
(JK051/080)

CONT. ALUM. SURFACE MOUNT FRAME
(J6A101)

PAN HEAD MACHINE SCREW W/
NEOPRENE WEATHER WASHER
(7 PER FRAME) (JK124/082)

1 1/4"
[32mm]

CONT. ALUM. PLATE (J6C101-F)
6" [152mm] SPLICE PLATE
(J6C101-FSP)

CONT. VINYL GASKET (J3D505-M)

STEEL CENTERING BAR (7 PER
PLATE @ 18" [457mm] O.C.) (J4J006)

651-A07-025

JOINT WIDTH		MOVEMENT ±			
		HORIZONTAL		VERTICAL	
US	mm	US	mm	US	mm
1"	25	1/2"	13	1/2"	13

FINISH: MILL
PROJECT:
CUSTOMER:
LOCATION:

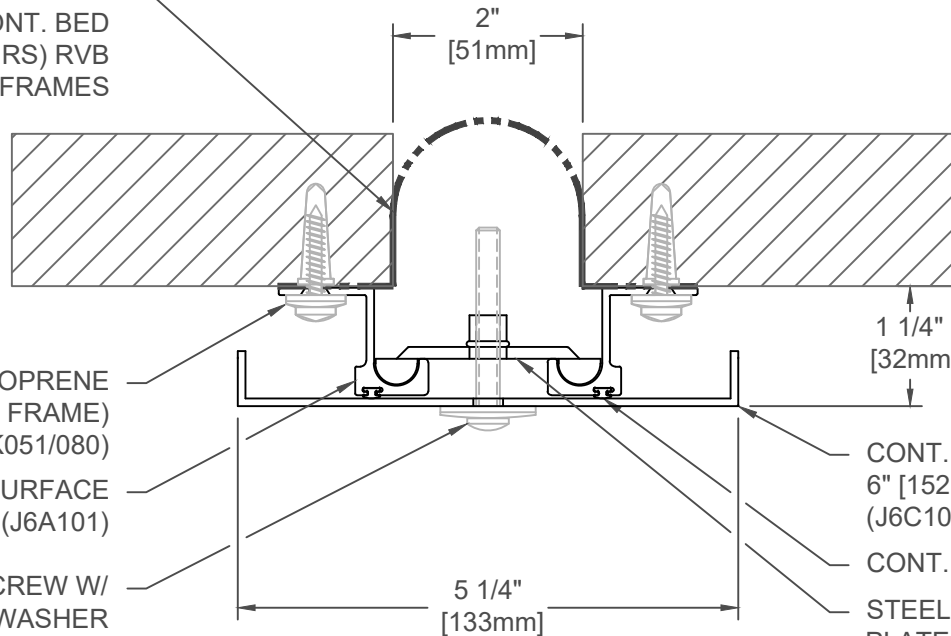
APPLICATION-
WALL/WALL CEILING/CEILING
SURFACE MOUNT
EXTERIOR CONDITION

DATE:	4-30-05
SCALE:	1:2
DOC:	CADJM.001/R3

inpro.

For More Information Visit: Inprocorp.com

REINF. EPDM VAPOR BARRIER
(JL009-RVB) NOTE: SET IN CONT. BED
OF BUTYL SEALANT (BY OTHERS) RVB
TERMINATES AT END OF FRAMES



PLASTIC PLUG KIT W/ NEOPRENE
WEATHER WASHER (7 PER FRAME)
(JK051/080)

CONT. ALUM. SURFACE
MOUNT FRAME (J6A101)

PAN HEAD MACHINE SCREW W/
NEOPRENE WEATHER WASHER
(7 PER FRAME) (JK124/082)

CONT. ALUM. PLATE (J6C102-F)
6" [152mm] SPLICE PLATE
(J6C102-FSP)

CONT. VINYL GASKET (J3D505-M)

STEEL CENTERING BAR (7 PER
PLATE @ 18" [457mm] O.C.) (J4J006)

651-A07-050

JOINT WIDTH		MOVEMENT ±			
		HORIZONTAL		VERTICAL	
US	mm	US	mm	US	mm
2"	51	1"	25	1"	25

FINISH: MILL
PROJECT:
CUSTOMER:
LOCATION:

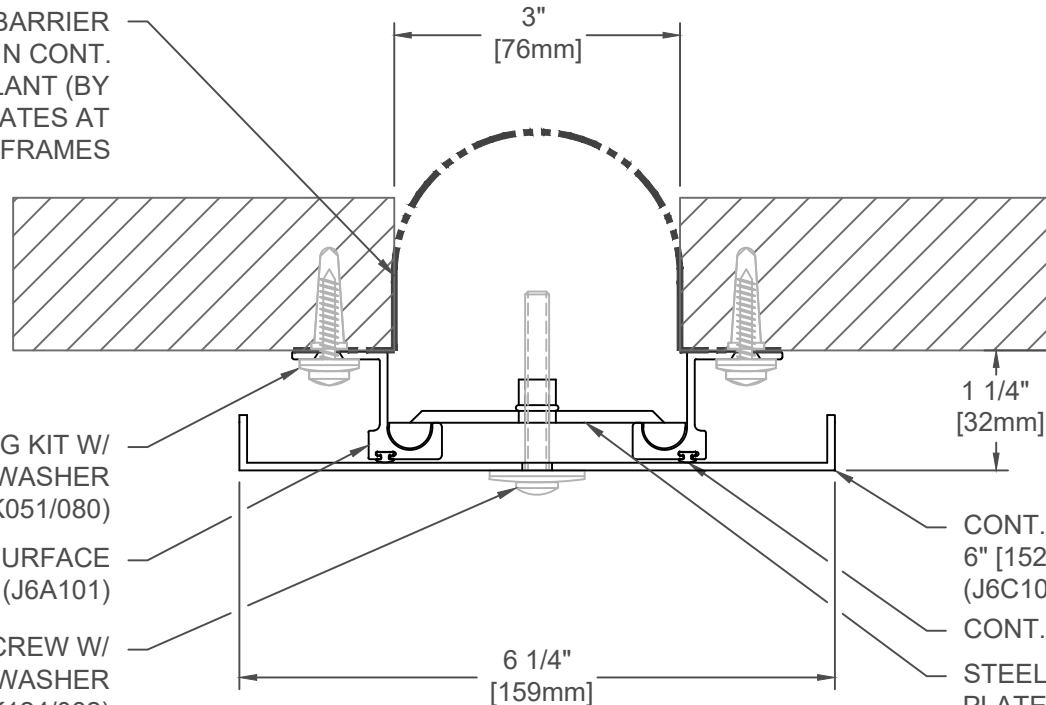
APPLICATION-
WALL/WALL CEILING/CEILING
SURFACE MOUNT
EXTERIOR CONDITION

DATE:	4-30-05
SCALE:	1:2
DOC:	CADJM.001/R3

inpro.

For More Information Visit: Inprocorp.com

REINF. EPDM VAPOR BARRIER
(JL009-RVB) NOTE: SET IN CONT.
BED OF BUTYL SEALANT (BY
OTHERS) RVB TERMINATES AT
END OF FRAMES



PLASTIC PLUG KIT W/
NEOPRENE WEATHER WASHER
(7 PER FRAME) (JK051/080)

CONT. ALUM. SURFACE
MOUNT FRAME (J6A101)

PAN HEAD MACHINE SCREW W/
NEOPRENE WEATHER WASHER
(7 PER FRAME) (JK124/082)

1 1/4"
[32mm]

CONT. ALUM. PLATE (J6C103-F)
6" [152mm] SPLICE PLATE
(J6C103-FSP)

CONT. VINYL GASKET (J3D505-M)

STEEL CENTERING BAR (7 PER
PLATE @ 18" [457mm] O.C.) (J4J006)

651-A07-075

JOINT WIDTH		MOVEMENT ±			
		HORIZONTAL		VERTICAL	
US	mm	US	mm	US	mm
3"	76	1-1/2"	38	1-1/2"	38

FINISH: MILL
PROJECT:
CUSTOMER:
LOCATION:

APPLICATION-
WALL/WALL CEILING/CEILING
SURFACE MOUNT
EXTERIOR CONDITION

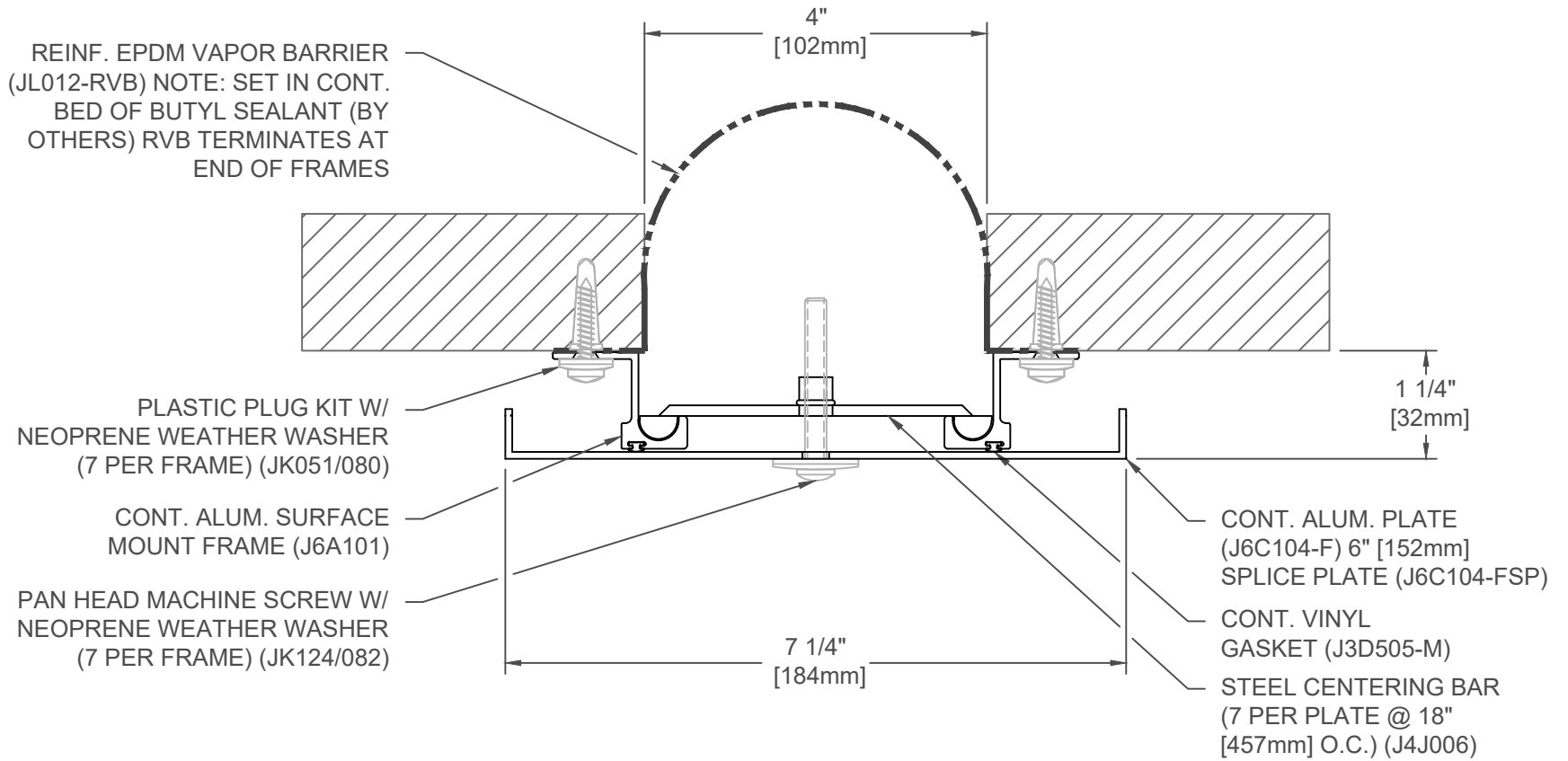
DATE: 4-30-05

SCALE: 1:2

DOC: CADJM.001/R3

inpro.

For More Information Visit: Inprocorp.com



651-A07-100

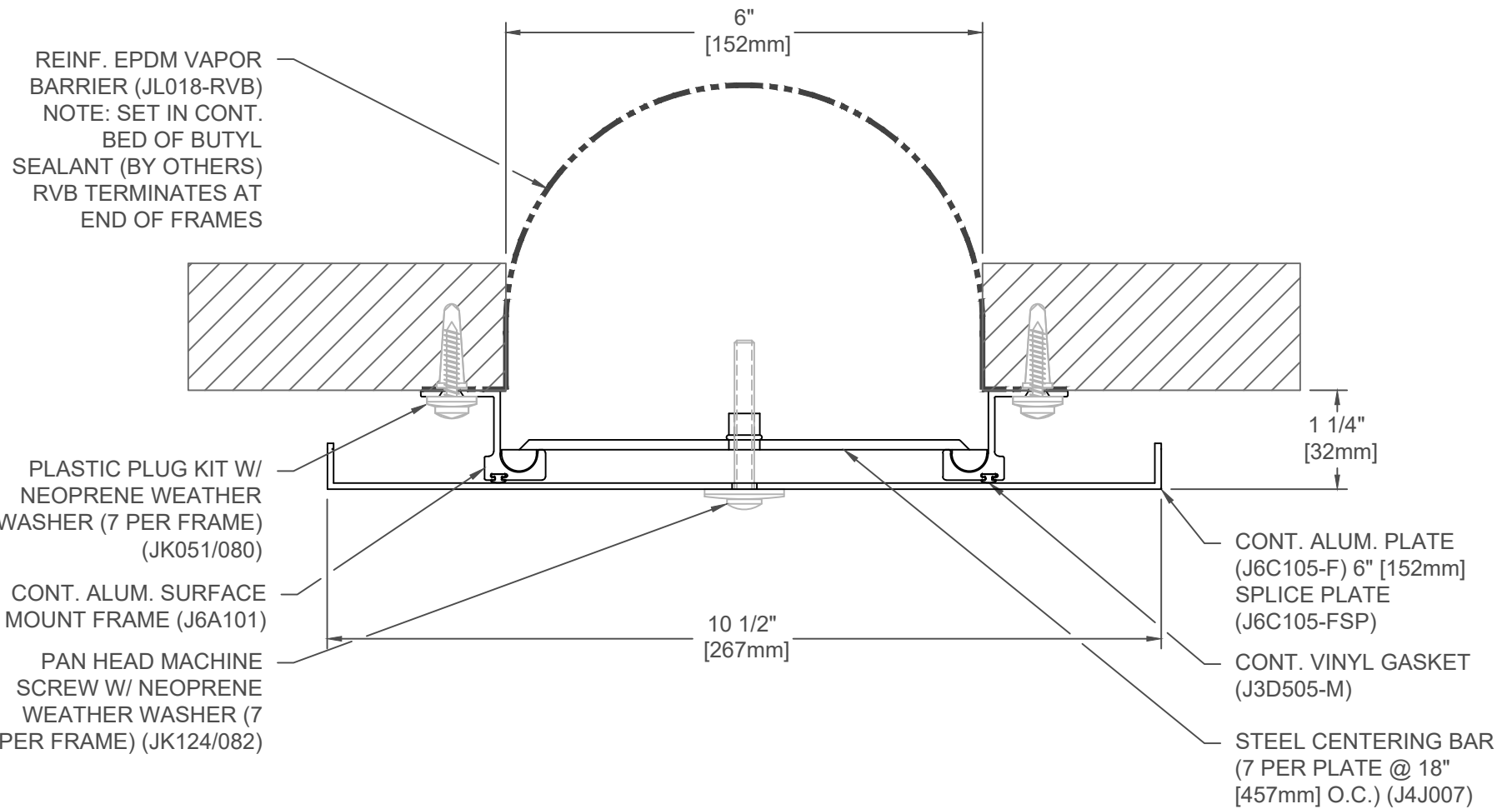
JOINT WIDTH		MOVEMENT ±			
		HORIZONTAL		VERTICAL	
US	mm	US	mm	US	mm
4"	102	2"	51	2"	51

FINISH: MILL
PROJECT:
CUSTOMER:
LOCATION:

APPLICATION-
WALL/WALL CEILING/CEILING
SURFACE MOUNT
EXTERIOR CONDITION

DATE:	4-30-05
SCALE:	1:2
DOC:	CADJM.001/R3

inpro.
For More Information Visit: Inprocorp.com



651-A07-150

JOINT WIDTH		MOVEMENT ±			
		HORIZONTAL		VERTICAL	
US	mm	US	mm	US	mm
6"	152	3"	76	3"	76

FINISH: MILL
PROJECT:
CUSTOMER:
LOCATION:

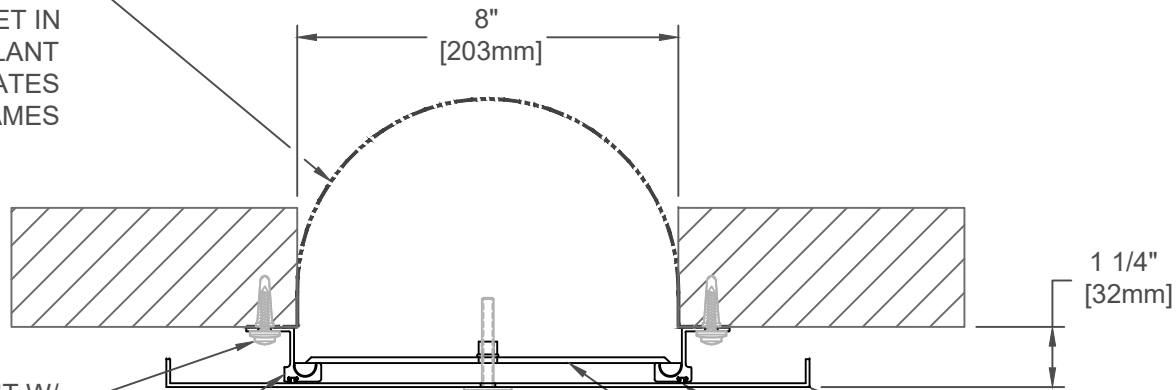
APPLICATION-
WALL/WALL CEILING/CEILING
SURFACE MOUNT
EXTERIOR CONDITION

DATE:	4-30-05
SCALE:	1:2
DOC:	CADJM.001/R3

inpro.

For More Information Visit: Inprocorp.com

REINF. EPDM VAPOR BARRIER
(JL018-RVB) NOTE: SET IN
CONT. BED OF BUTYL SEALANT
(BY OTHERS) RVB TERMINATES
AT END OF FRAMES



PLASTIC PLUG KIT W/
NEOPRENE WEATHER WASHER
(7 PER FRAME) (JK051/080)

CONT. ALUM. SURFACE
MOUNT FRAME (J6A101)

PAN HEAD MACHINE SCREW W/
NEOPRENE WEATHER WASHER
(7 PER FRAME) (JK124/082)

CONT. ALUM. PLATE (J6C106-F)
6" [152mm] SPLICE PLATE
(J6C106-FSP)

CONT. VINYL GASKET (J3D505-M)

STEEL CENTERING BAR (7 PER
PLATE @ 18" [457mm] O.C.) (J4J007)

651-A07-200

JOINT WIDTH		MOVEMENT ±			
		HORIZONTAL		VERTICAL	
US	mm	US	mm	US	mm
8"	203	4"	102	4"	102

FINISH: MILL
PROJECT:
CUSTOMER:
LOCATION:

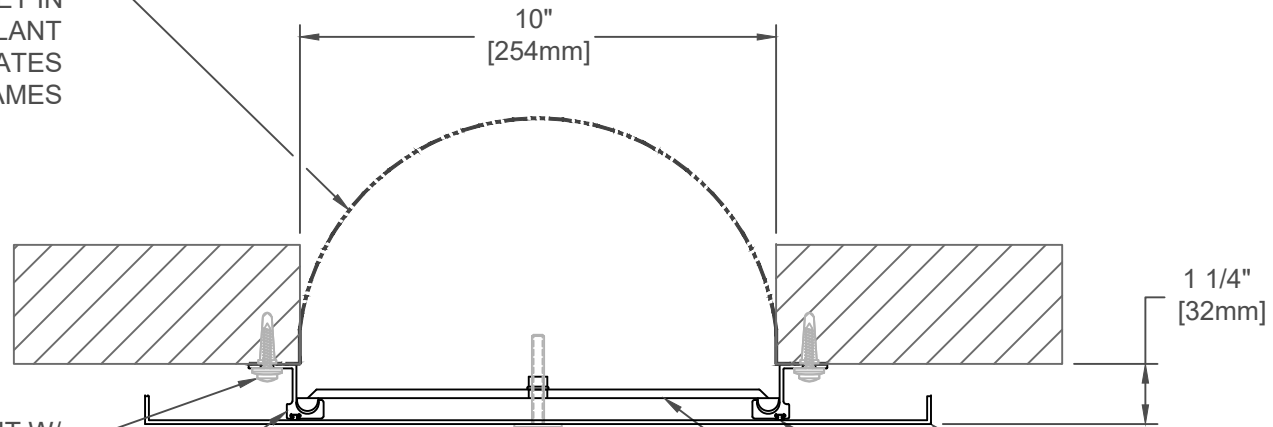
APPLICATION-
WALL/WALL CEILING/CEILING
SURFACE MOUNT
EXTERIOR CONDITION

DATE:	4-30-05
SCALE:	1:4
DOC:	CADJM.001/R3

inpro.

For More Information Visit: Inprocorp.com

REINF. EPDM VAPOR BARRIER
(JL024-RVB) NOTE: SET IN
CONT. BED OF BUTYL SEALANT
(BY OTHERS) RVB TERMINATES
AT END OF FRAMES



PLASTIC PLUG KIT W/
NEOPRENE WEATHER WASHER
(7 PER FRAME) (JK051/080)

CONT. ALUM. SURFACE
MOUNT FRAME (J6A101)

PAN HEAD MACHINE SCREW W/
NEOPRENE WEATHER WASHER
(7 PER FRAME) (JK124/082)

CONT. ALUM. PLATE (J6C107-F)
6" [152mm] SPLICE PLATE
(J6C107-FSP)

CONT. VINYL GASKET (J3D505-M)

STEEL CENTERING BAR (7 PER
PLATE @ 18" [457mm] O.C.)
(J7J018-RN-7)

651-A07-250

JOINT WIDTH		MOVEMENT ±			
		HORIZONTAL		VERTICAL	
US	mm	US	mm	US	mm
10"	254	5"	127	5"	127

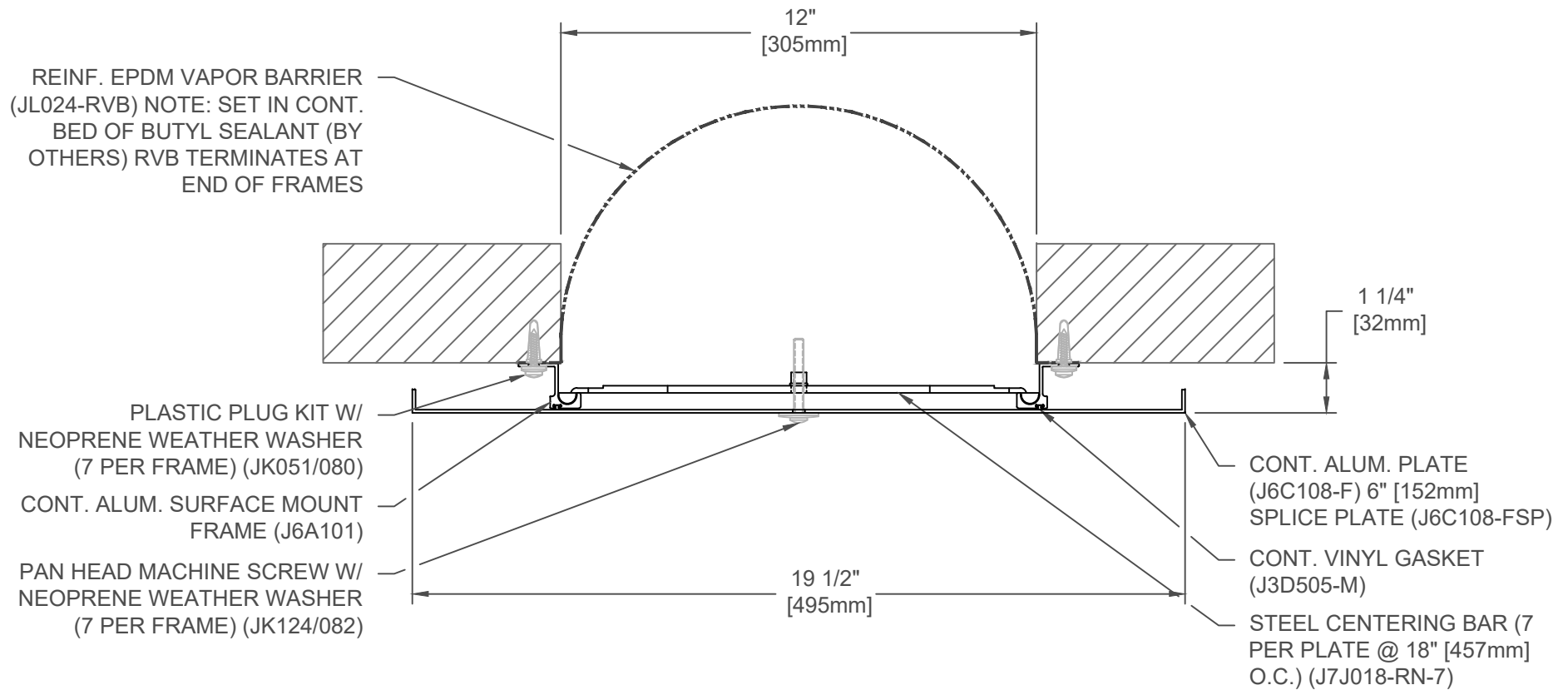
FINISH: MILL
PROJECT:
CUSTOMER:
LOCATION:

APPLICATION-
WALL/WALL CEILING/CEILING
SURFACE MOUNT
EXTERIOR CONDITION

DATE:	4-30-05
SCALE:	1:4
DOC:	CADJM.001/R3

inpro.

For More Information Visit: Inprocorp.com



651-A07-300

JOINT WIDTH		MOVEMENT ±			
US	mm	HORIZONTAL		VERTICAL	
US	mm	US	mm	US	mm
12"	305	6"	152	6"	152

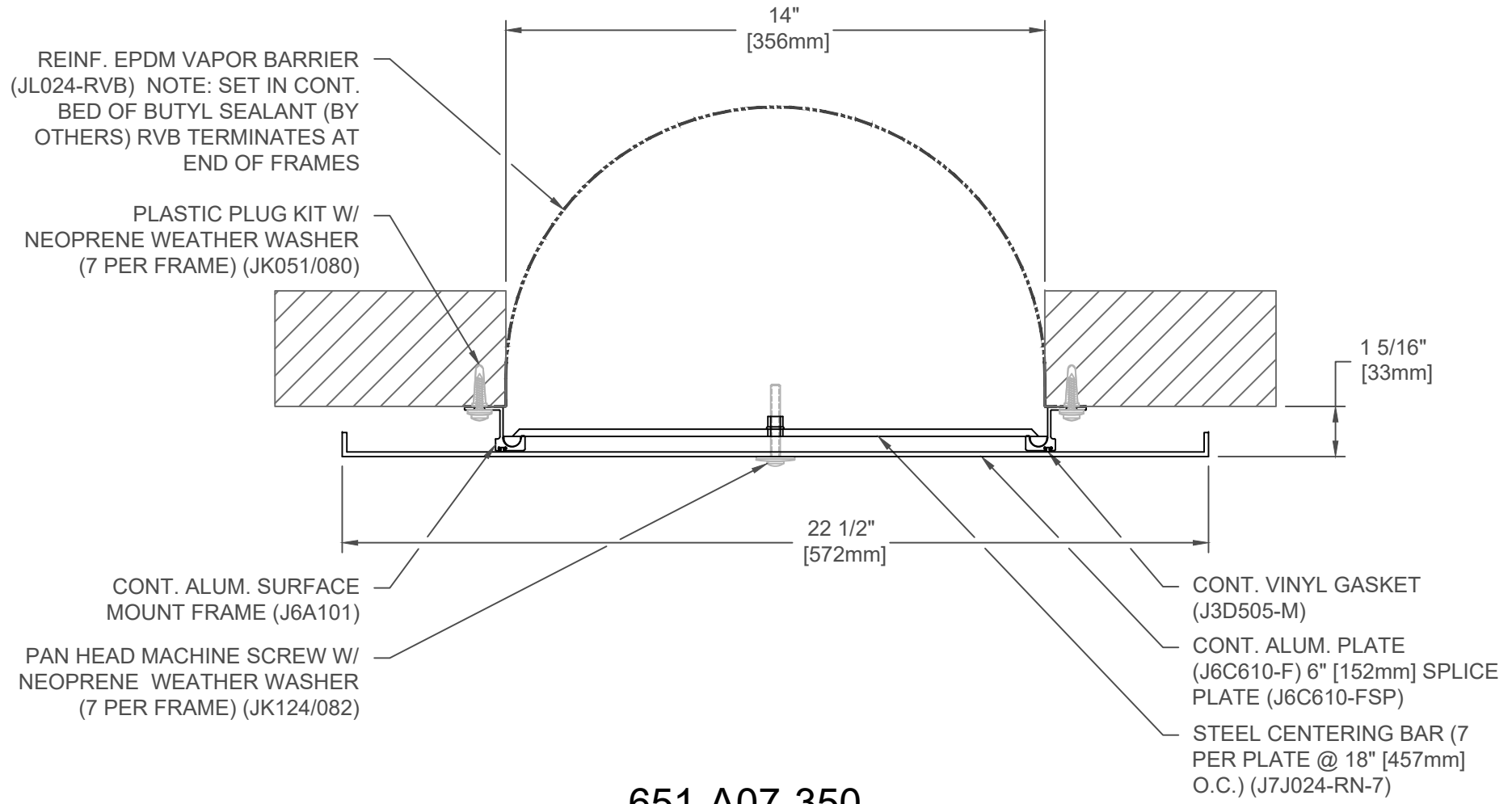
FINISH: MILL
PROJECT:
CUSTOMER:
LOCATION:

APPLICATION-
WALL/WALL CEILING/CEILING
SURFACE MOUNT
EXTERIOR CONDITION

DATE:	4-30-05
SCALE:	1:4
DOC:	CADJM.001/R3

inpro.

For More Information Visit: Inprocorp.com



651-A07-350

JOINT WIDTH		MOVEMENT ±			
		HORIZONTAL		VERTICAL	
US	mm	US	mm	US	mm
14"	356	7"	178	7"	178

FINISH: MILL
PROJECT:
CUSTOMER:
LOCATION:

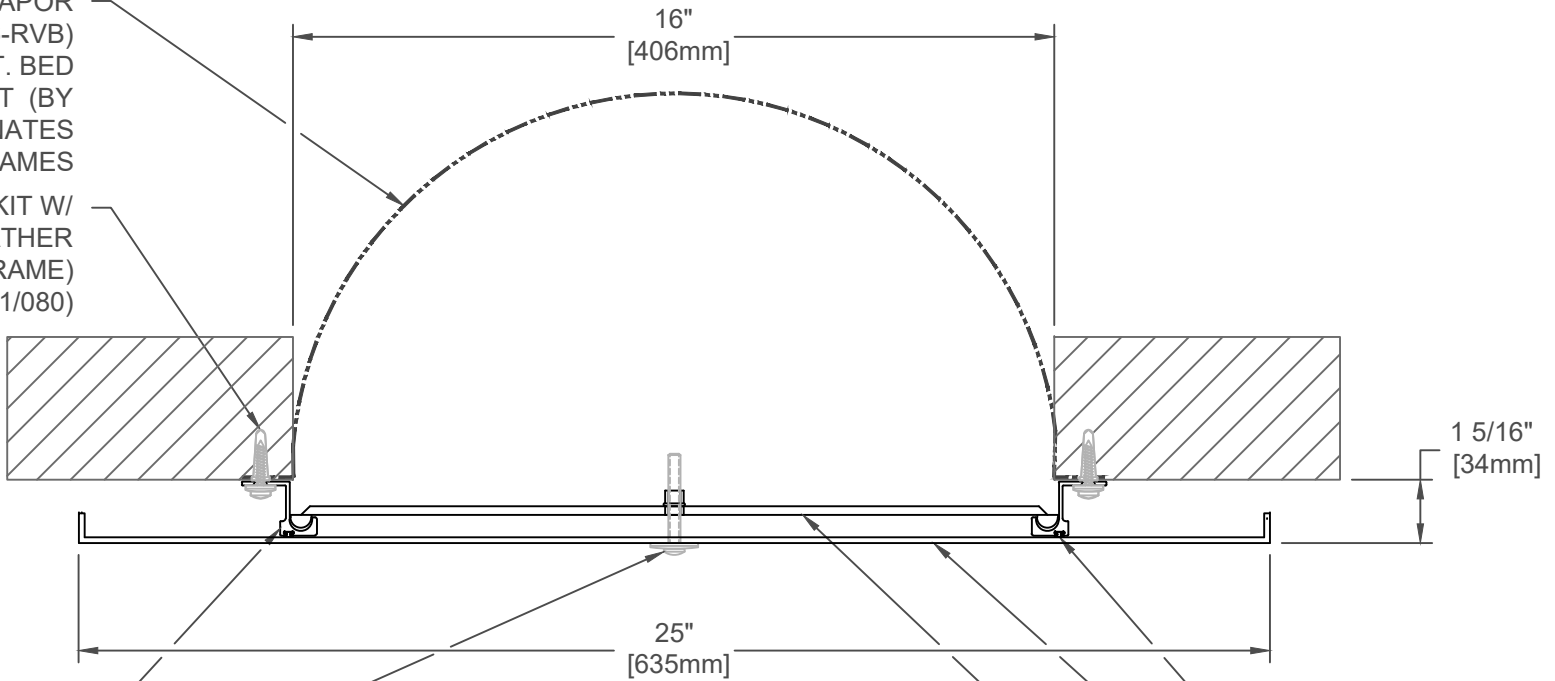
APPLICATION-
WALL/WALL CEILING/CEILING
SURFACE MOUNT
EXTERIOR CONDITION

DATE:	4-30-05
SCALE:	1:4
DOC:	CADJM.001/R3

inpro.
For More Information Visit: Inprocorp.com

REINF. EPDM VAPOR BARRIER (JL036-RVB)
NOTE: SET IN CONT. BED OF BUTYL SEALANT (BY OTHERS) RVB TERMINATES AT END OF FRAMES

PLASTIC PLUG KIT W/ NEOPRENE WEATHER WASHER (7 PER FRAME) (JK051/080)



CONT. ALUM. SURFACE MOUNT FRAME (J6A101)

PAN HEAD MACHINE SCREW W/ NEOPRENE WEATHER WASHER (7 PER FRAME) (JK124/082)

CONT. VINYL GASKET (J3D505-M)

CONT. ALUM. PLATE (J6C611-F) 6" [152mm] SPLICE PLATE (J6C611-FSP)

STEEL CENTERING BAR (7 PER PLATE @ 18" [457mm] O.C.) (J7J024-RN-7)

651-A07-400

JOINT WIDTH		MOVEMENT ±			
		HORIZONTAL		VERTICAL	
US	mm	US	mm	US	mm
16"	406	8"	203	8"	203

FINISH: MILL
PROJECT:
CUSTOMER:
LOCATION:

APPLICATION-
WALL/WALL CEILING/CEILING
SURFACE MOUNT
EXTERIOR CONDITION

DATE:	4-30-05
SCALE:	1:4
DOC:	CADJM.001/R3

inpro.

For More Information Visit: Inprocorp.com