

661-A01-025

JOINT WIDTH		MOVEMENT ±			
		HORIZONTAL		VERTICAL	
US	mm	US	mm	US	mm
1"	25	1/2"	13	1/2"	13

FINISH: MILL
PROJECT:
CUSTOMER:
LOCATION:

APPLICATION:
CURB MOUNTED CENTERING BAR
ROOF/ROOF CONDITION

DATE:	7-21-15
SCALE:	1:2
DOC:	CADJM.009/R4



For More Information Visit: Inprocorp.com

PAN HEAD MACHINE SCREW W/
NEOPRENE WEATHER WASHER
(7 PER FRAME) (JK124/082)

STEEL CENTERING BAR
(7 PER PLATE @ 18"
[457mm] O.C. (J4J006)

CONT. VINYL GASKET
(J3D505-M)

CONT. ALUM. PLATE
(J6C102-F) 6" [152mm]
SPLICE PLATE (J6C102-FSP)

CONT. ALUM. SURFACE
MOUNT FRAME (SET IN
SEALANT BY OTHERS) (J6A103)

WOOD CURB & ROOFING
MEMBRANE (BY OTHERS) REF.
STANDARD CURB DETAIL FOR
MEMBRANE LAYERING

OPTIONAL CAULKING
(BY OTHERS)

8 7/8"
[226mm]

5 1/4"
[133mm]

1 3/16"
[30mm]

2"
[51mm]

#12 x 1" [M5x25] PAN HEAD
WOOD SCREW THRU NEOPRENE
WEATHER WASHER (DISCARD
PLASTIC INSERT) (7 PER FRAME
@ 18" [457mm] O.C.) (JK051/080)

REINF. EPDM VAPOR BARRIER
(JL009-RVB) NOTE: SET IN CONT.
BED OF BUTYL SEALANT (BY
OTHERS) TERMINATE RVB AT
OUTSIDE EDGES OF SYSTEM

661-A01-050

JOINT WIDTH		MOVEMENT ±			
		HORIZONTAL		VERTICAL	
US	mm	US	mm	US	mm
2"	51	1"	25	1"	25

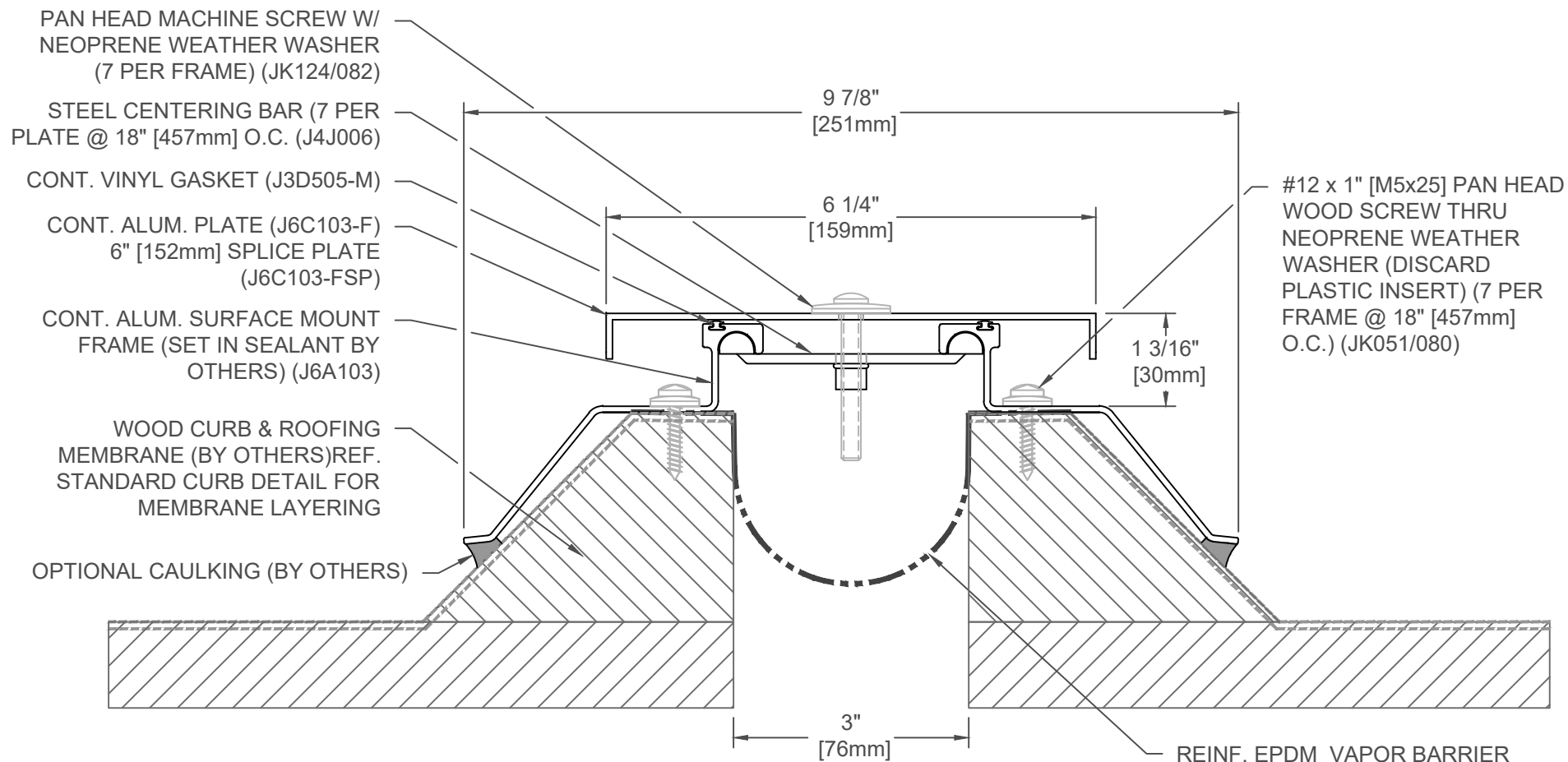
FINISH: MILL
PROJECT:
CUSTOMER:
LOCATION:

APPLICATION:
CURB MOUNTED CENTERING BAR
ROOF/ROOF CONDITION

DATE:	4-13-05
SCALE:	1:2
DOC:	CADJM.009/R4

inpro.

For More Information Visit: Inprocorp.com



661-A01-075

JOINT WIDTH		MOVEMENT ±			
		HORIZONTAL		VERTICAL	
US	mm	US	mm	US	mm
3"	76	1-1/2"	38	1-1/2"	38

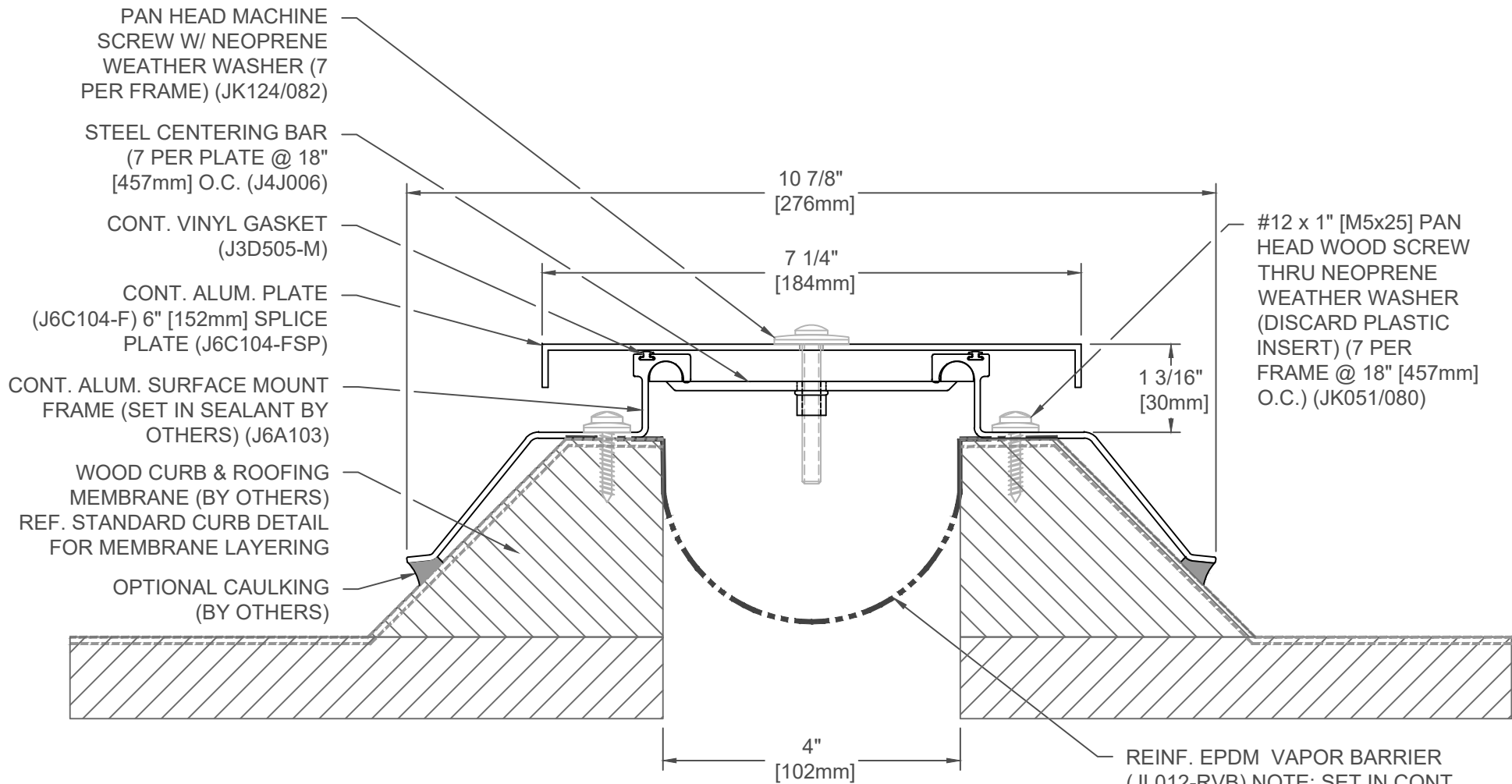
REINF. EPDM VAPOR BARRIER (JL009-RVB) NOTE: SET IN CONT. BED OF BUTYL SEALANT (BY OTHERS) TERMINATE RVB AT OUTSIDE EDGES OF SYSTEM

FINISH: MILL
PROJECT:
CUSTOMER:
LOCATION:

APPLICATION:
CURB MOUNTED CENTERING BAR
ROOF/ROOF CONDITION

DATE:	4-13-05
SCALE:	1:2
DOC:	CADJM.009/R4

inpro.
For More Information Visit: Inprocorp.com



661-A01-100

JOINT WIDTH		MOVEMENT ±			
		HORIZONTAL		VERTICAL	
US	mm	US	mm	US	mm
4"	102	2"	51	2"	51

REINF. EPDM VAPOR BARRIER (JL012-RVB) NOTE: SET IN CONT. BED OF BUTYL SEALANT (BY OTHERS) TERMINATE RVB AT OUTSIDE EDGES OF SYSTEM

FINISH: MILL
PROJECT:
CUSTOMER:
LOCATION:

APPLICATION:
CURB MOUNTED CENTERING BAR
ROOF/ROOF CONDITION

DATE:	4-13-05
SCALE:	1:2
DOC:	CADJM.009/R4

inpro.
For More Information Visit: Inprocorp.com

PAN HEAD MACHINE SCREW W/
NEOPRENE WEATHER WASHER (7 PER
FRAME) (JK124/082)

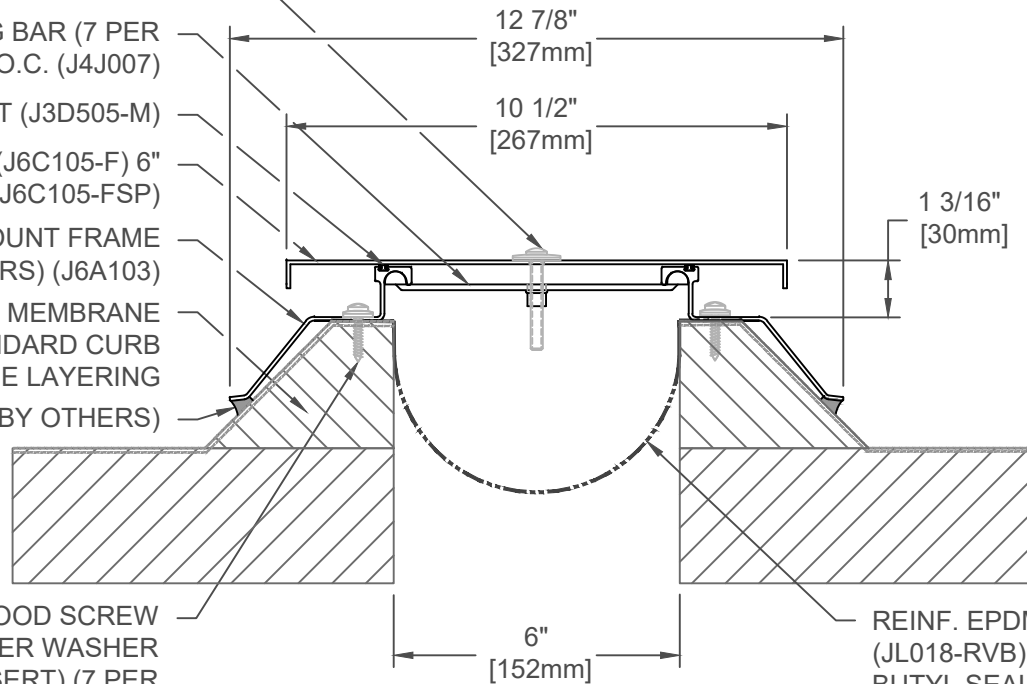
STEEL CENTERING BAR (7 PER
PLATE @ 18" [457mm] O.C. (J4J007)

CONT. VINYL GASKET (J3D505-M)

CONT. ALUM. PLATE (J6C105-F) 6"
[152mm] SPLICE PLATE (J6C105-FSP)

CONT. ALUM. SURFACE MOUNT FRAME
(SET IN SEALANT BY OTHERS) (J6A103)

WOOD CURB & ROOFING MEMBRANE
(BY OTHERS) REF. STANDARD CURB
DETAIL FOR MEMBRANE LAYERING
OPTIONAL CAULKING (BY OTHERS)



#12 x 1" [M5x25] PAN HEAD WOOD SCREW
THRU NEOPRENE WEATHER WASHER
(DISCARD PLASTIC INSERT) (7 PER
FRAME @ 18" [457mm] O.C.) (JK051/080)

REINF. EPDM VAPOR BARRIER
(JL018-RVB) NOTE: SET IN CONT. BED OF
BUTYL SEALANT (BY OTHERS) TERMINATE
RVB AT OUTSIDE EDGES OF SYSTEM

661-A01-150

JOINT WIDTH		MOVEMENT ±			
		HORIZONTAL		VERTICAL	
US	mm	US	mm	US	mm
6"	152	3"	76	3"	76

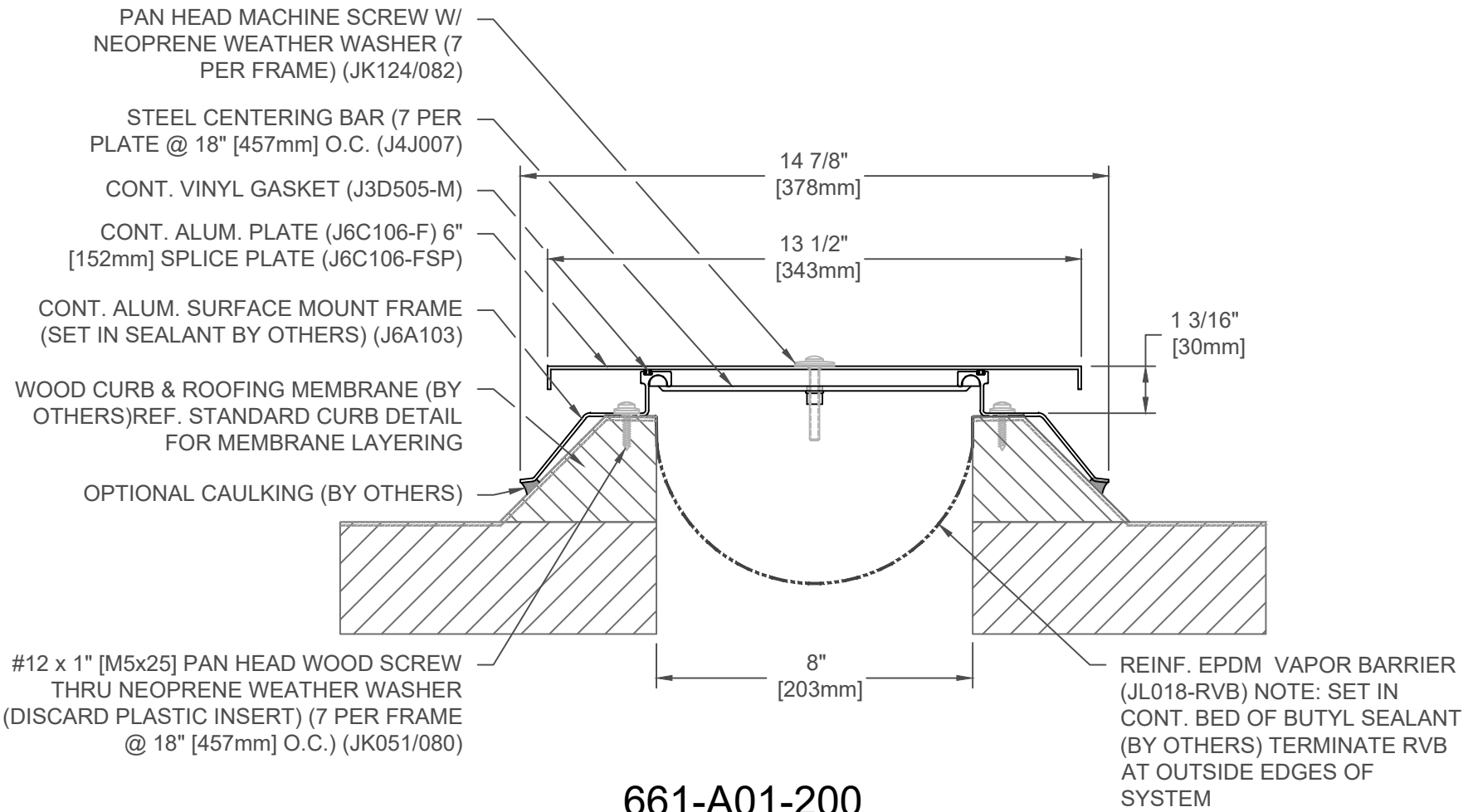
FINISH: MILL
PROJECT:
CUSTOMER:
LOCATION:

APPLICATION:
CURB MOUNTED CENTERING BAR
ROOF/ROOF CONDITION

DATE:	4-13-05
SCALE:	1:4
DOC:	CADJM.009/R4

inpro.

For More Information Visit: Inprocorp.com



661-A01-200

JOINT WIDTH		MOVEMENT ±			
		HORIZONTAL		VERTICAL	
US	mm	US	mm	US	mm
8"	203	4"	102	4"	102

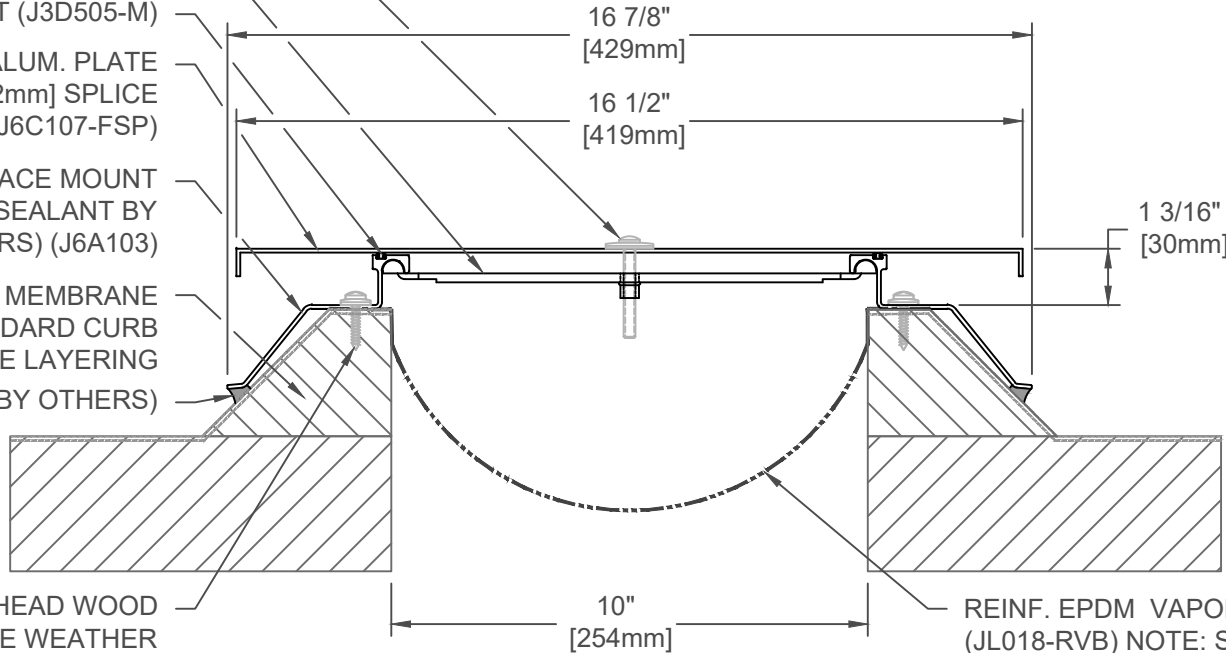
FINISH: MILL
PROJECT:
CUSTOMER:
LOCATION:

APPLICATION:
CURB MOUNTED CENTERING BAR
ROOF/ROOF CONDITION

DATE:	4-13-05
SCALE:	1:4
DOC:	CADJM.009/R4

inpro.
For More Information Visit: Inprocorp.com

- PAN HEAD MACHINE SCREW W/
NEOPRENE WEATHER WASHER (7
PER FRAME) (JK124/082)
- STEEL CENTERING BAR (7 PER PLATE
@ 18" [457mm] O.C. (J7J018-RN-7)
- CONT. VINYL GASKET (J3D505-M)
- CONT. ALUM. PLATE
(J6C107-F) 6" [152mm] SPLICE
PLATE (J6C107-FSP)
- CONT. ALUM. SURFACE MOUNT
FRAME (SET IN SEALANT BY
OTHERS) (J6A103)
- WOOD CURB & ROOFING MEMBRANE
(BY OTHERS) REF. STANDARD CURB
DETAIL FOR MEMBRANE LAYERING
OPTIONAL CAULKING (BY OTHERS)
- #12 x 1" [M5x25] PAN HEAD WOOD
SCREW THRU NEOPRENE WEATHER
WASHER (DISCARD PLASTIC INSERT)
(7 PER FRAME @ 18" [457mm] O.C.)
(JK051/080)



REINF. EPDM VAPOR BARRIER (JL018-RVB) NOTE: SET IN CONT. BED OF BUTYL SEALANT (BY OTHERS) TERMINATE RVB AT OUTSIDE EDGES OF SYSTEM

661-A01-250

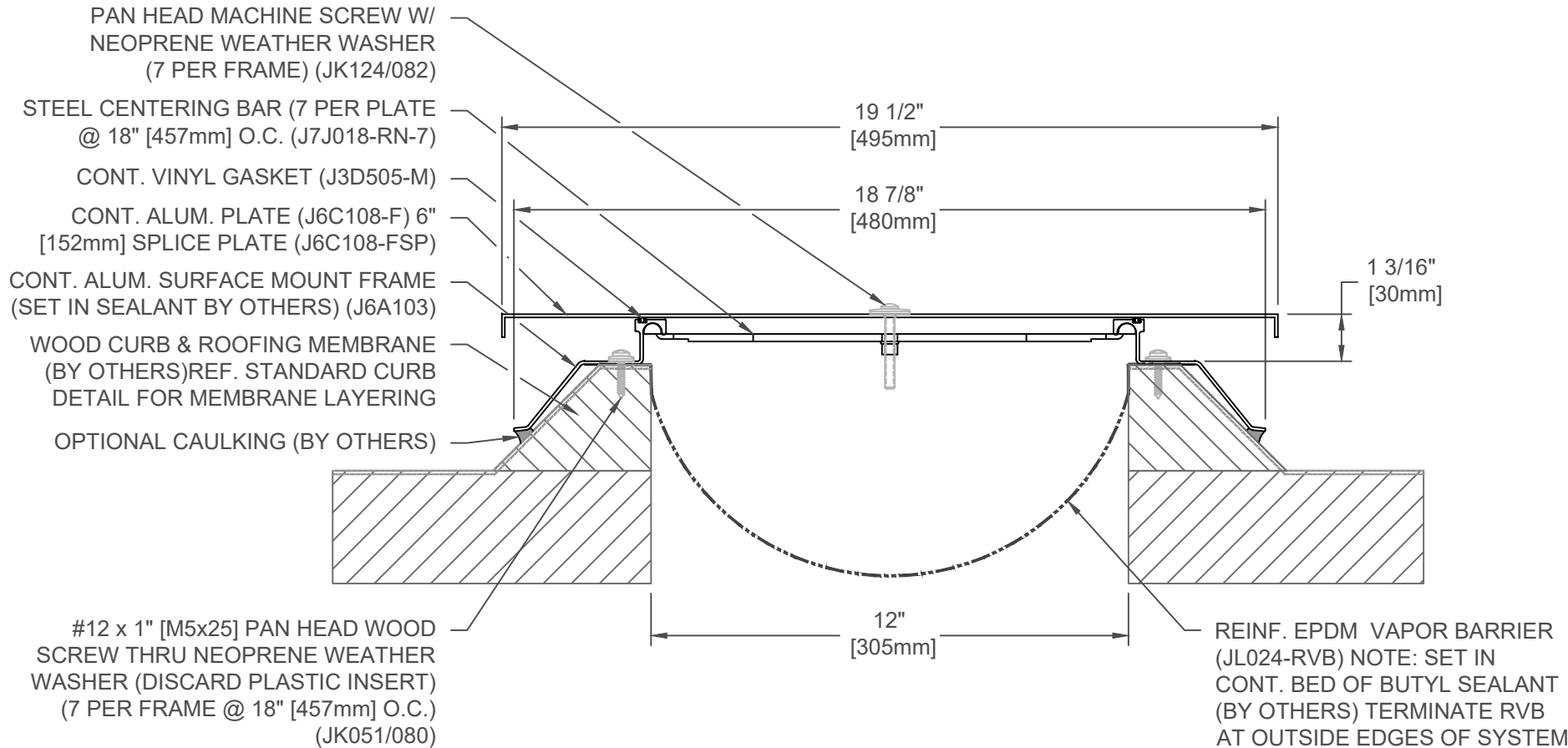
JOINT WIDTH		MOVEMENT ±			
		HORIZONTAL		VERTICAL	
US	mm	US	mm	US	mm
10"	254	5"	127	5"	127

FINISH: MILL
PROJECT:
CUSTOMER:
LOCATION:

APPLICATION:
CURB MOUNTED CENTERING BAR
ROOF/ROOF CONDITION

DATE:	12-7-16
SCALE:	1:4
DOC:	CADJM.009/R4





661-A01-300

JOINT WIDTH		MOVEMENT ±			
		HORIZONTAL		VERTICAL	
US	mm	US	mm	US	mm
12"	305	6"	152	6"	152

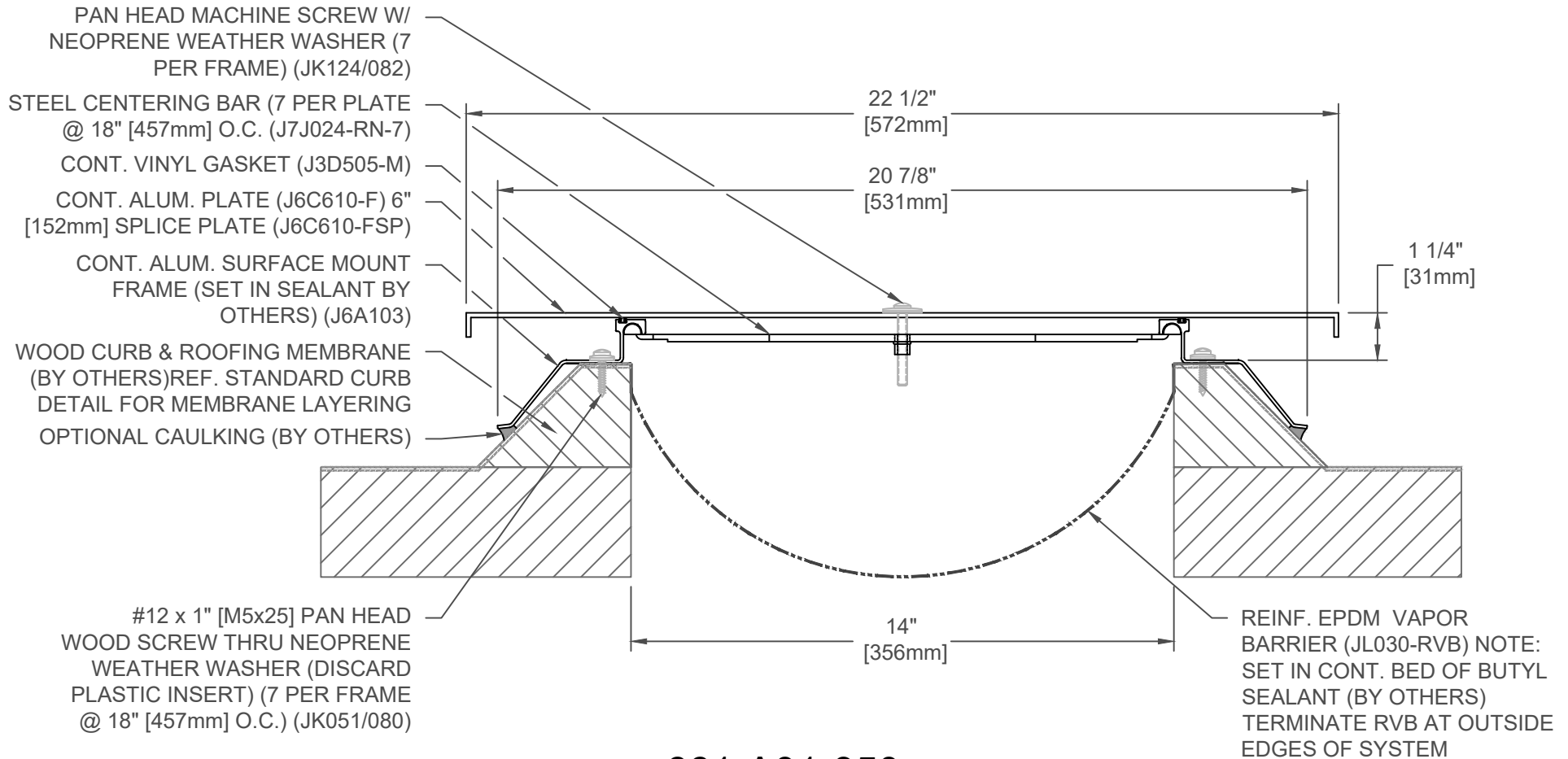
FINISH: MILL
PROJECT:
CUSTOMER:
LOCATION:

APPLICATION:
CURB MOUNTED CENTERING BAR
ROOF/ROOF CONDITION

DATE:	4-13-05
SCALE:	1:4
DOC:	CADJM.009/R4

inpro.

For More Information Visit: Inprocorp.com



661-A01-350

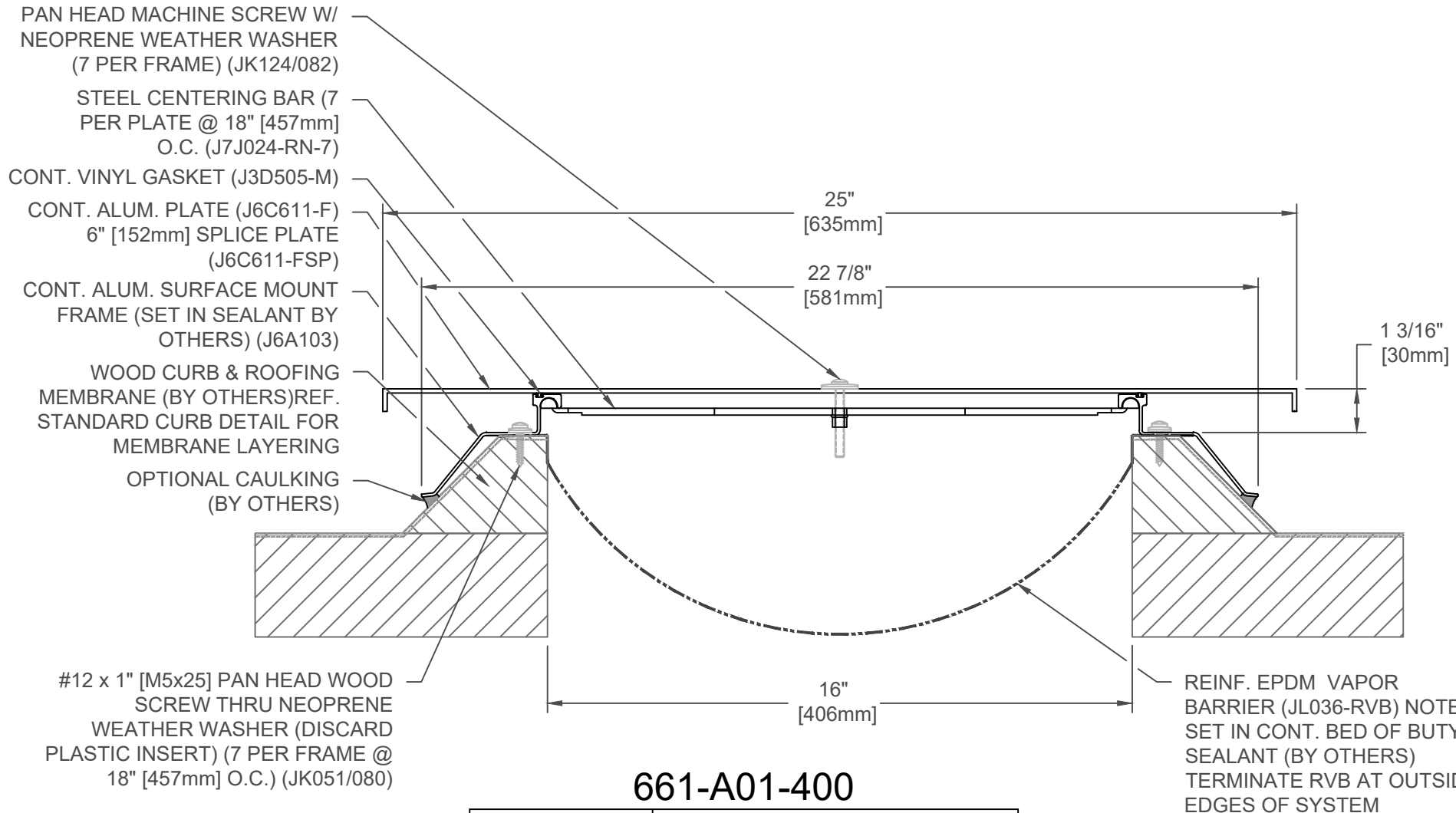
JOINT WIDTH		MOVEMENT ±			
		HORIZONTAL		VERTICAL	
US	mm	US	mm	US	mm
14"	356	7"	178	7"	178

FINISH: MILL
PROJECT:
CUSTOMER:
LOCATION:

APPLICATION: CURB MOUNTED CENTERING BAR ROOF/ROOF CONDITION

DATE:	12-7-16
SCALE:	1:4
DOC:	CADJM.009/R4

inpro.
For More Information Visit: Inprocorp.com



661-A01-400

JOINT WIDTH		MOVEMENT ±			
		HORIZONTAL		VERTICAL	
US	mm	US	mm	US	mm
16"	406	8"	203	8"	203

FINISH: MILL
PROJECT:
CUSTOMER:
LOCATION:

APPLICATION:
CURB MOUNTED CENTERING BAR
ROOF/ROOF CONDITION

DATE:	12-7-16
SCALE:	1:4
DOC:	CADJM.009/R4

inpro.
For More Information Visit: Inprocorp.com