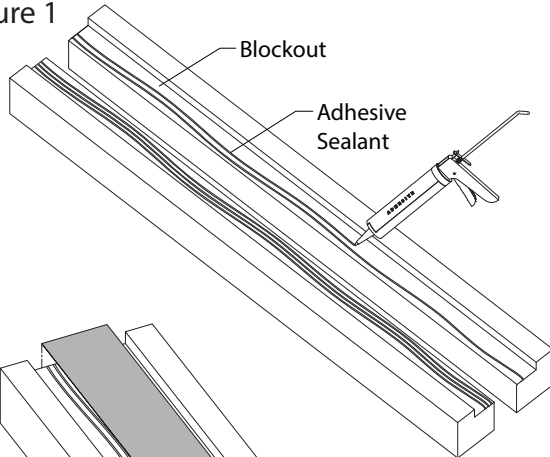


Installation Instructions

Moisture Barrier (RVB) - General Installs

Note: Verify that the structural gap and blockout dimension is in conformance with submittal data before beginning installation. Install the system on a level surface within the blockout. Read all instructions before installation.

Figure 1



1. Make sure the blockout and joint opening are clean and sound. Repair all voids, form marks, and pitting.

Figure 1

2. Clean membrane with EPDM primer and lay moisture barrier along the length of the joint opening.
3. Apply a bed of manufacture approved butyl sealant in the blockout along the length of the expansion joint. This will temporarily secure the moisture barrier to the blockout and provide a water tight seal to prevent seepage around the blockout.

Figure 2

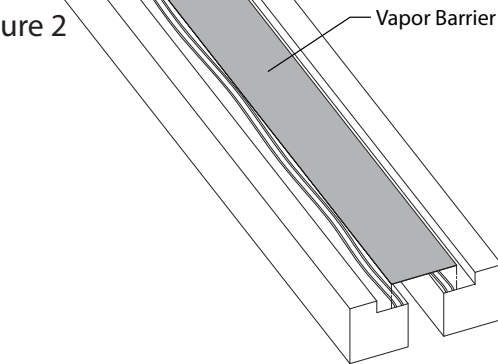


Figure 2

4. Place the moisture barrier into the structural gap, per the approved details.
- NOTE:** Always leave enough drape in the moisture barrier to ensure the system will be able to fully open to its maximum distance without interference from the expansion cover components.

Figure 3

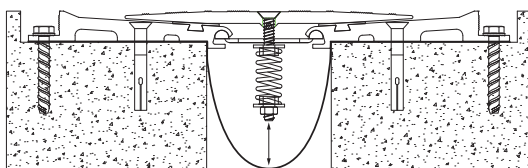


Figure 3

5. Install architectural expansion joint system per appropriate instructions, into the blockout on top of the moisture barrier. Expansion joint frames and hardware will permanently secure the membrane in place.

Figure 3a

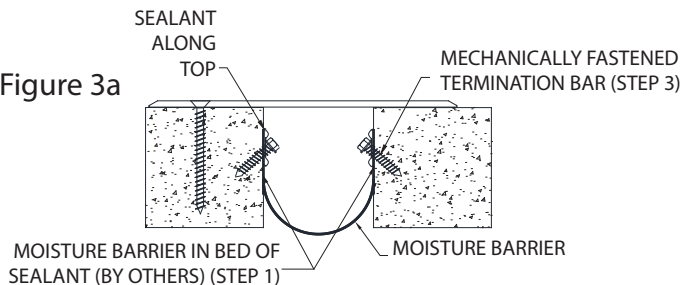


Figure 3a

6. For moisture barrier installation with termination bars (JK125) set the moisture barrier in a bed of sealant (by others) on both sides of joint wall. (See Fig 3a). Ensure concrete edges are plumb and free of pitting and form marks.
7. Secure termination bars in a bed of sealant (by others) prior to installing the fasteners. (See Fig 3a) Once the termination bars are seated in the sealant, secure with mechanical fasteners, through the membrane, and apply a bead of sealant continuously along the top edge of the bars.
8. At seams: Clean areas with EPDM primer. Overlap seams 4-6" (100-150mm) with EPDM lap sealant or Butyl caulk. Min. 4" (100mm) overlap when using EPDM seam tape.

IPC.1698/REV.3

Installation Hotline • 866.EZINPRO
 Inprocorp.com • 800.222.5556 • 262.679.9010
 World Headquarters S80 W18766 Apollo Drive, Muskego, WI 53150 USA

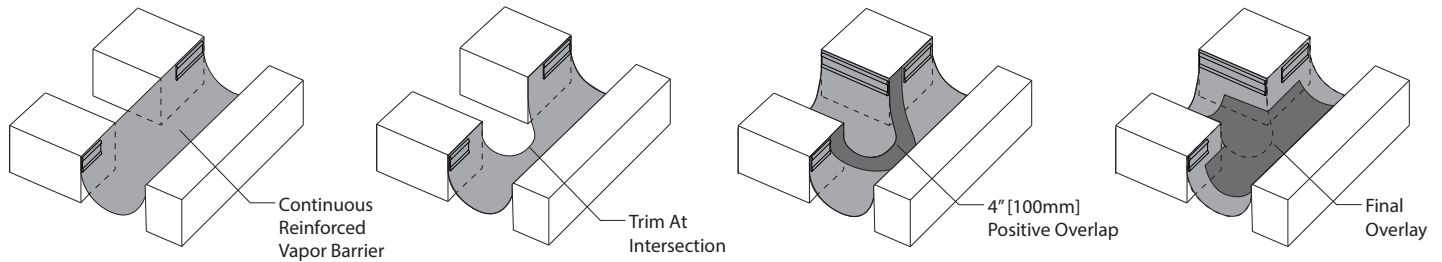
JOINTMASTER®
 EXPANSION JOINT SYSTEMS
 A DIVISION OF INPRO®

Installation Instructions

Moisture Barrier (RVB) - Inside Mount Intersections

NOTE: Install moisture barrier per provided instructions. For securing transitions it is recommended to use: EPDM primer, EPDM lap sealant, EPDM seam tape, approved Butyl sealants, Peel and Stick flashing tape, or Masterseal NP1/ (not provided by Inpro). When installing intersections refer to architectural drawing or field conditions to verify required slope and drainage installation conditions are met. Read all installation steps before installing.

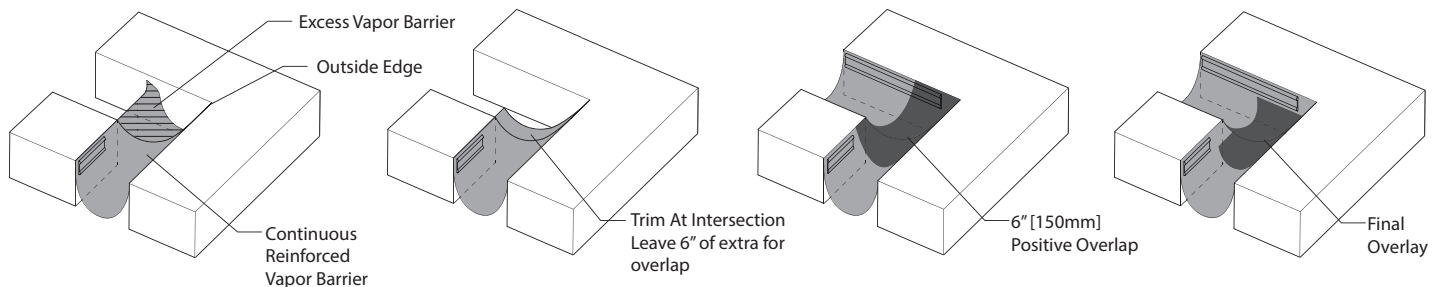
Figure 4 - (Inside Mount)



A. T or X Intersections: (Figure 4)

9. Install the first run of moisture barrier into the joint opening that is intersected by the perpendicular joint opening. For cross or "T" or "X" intersections, install longest continuous run first.
10. At intersection, trim appropriate amount of the installed moisture barrier run from the intersecting joint opening, when trimming allow enough depth for the drape of the intersecting moisture barrier run.
11. Install perpendicular intersecting run into joint opening, ensure the drape of the new moisture barrier is the same depth at the intersection. Allow new run of moisture barrier to over lap into existing installed moisture barrier by 4-6" [100-150mm]. Trim excess barrier. Secure both sections together using approved adhesive. Overlay EPDM peel and stick flashing tape or EPDM sheet cut to match profile of intersection and secure.

Figure 5 - (Inside Mount)



B. 90 degree "L" Intersection: (Figure 5)

12. Install the first run of moisture barrier into the joint opening along entire length of joint opening. Continuing the outside edge of the moisture barrier to the outside corner of the intersection.
13. Cut excess portion of the moisture barrier leaving an extra 4-6" [100-150mm] starting at the inside corner working straight towards outside corner.
14. Install perpendicular intersecting run into joint opening, ensure the drape of the new moisture barrier is the same depth at the intersection. Allow new run of moisture barrier to drape onto the existing installed moisture barrier. Trim excess barrier keeping 6" [150mm] of overlap. Secure both sections together using approved adhesive. Overlay EPDM peel and stick flashing tape or EPDM sheet cut to match profile of intersection and secure.

Installation Hotline • 866.EZINPRO

Inprocorp.com • 800.222.5556 • 262.679.9010

World Headquarters S80 W18766 Apollo Drive, Muskego, WI 53150 USA

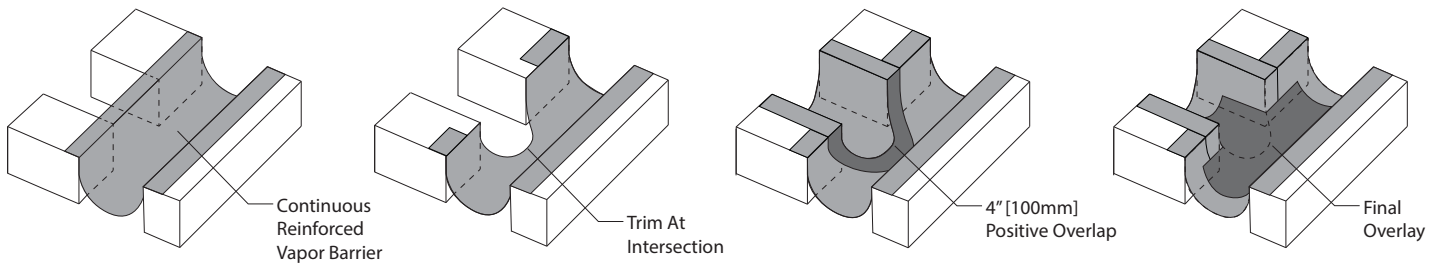
JOINTMASTER®
EXPANSION JOINT SYSTEMS
A DIVISION OF INPRO®

Installation Instructions

Moisture Barrier (RVB) - Top Mount Intersections

NOTE: Install moisture barrier per provided instructions. For securing transitions it is recommended to use: EPDM primer, EPDM lap sealant, EPDM seam tape, approved Butyl sealants, Peel and Stick flashing tape, or Masterseal NP1/ (not provided by Inpro). When installing intersections refer to architectural drawing or field conditions to verify required slope and drainage installation conditions are met. Read all installation steps before installing.

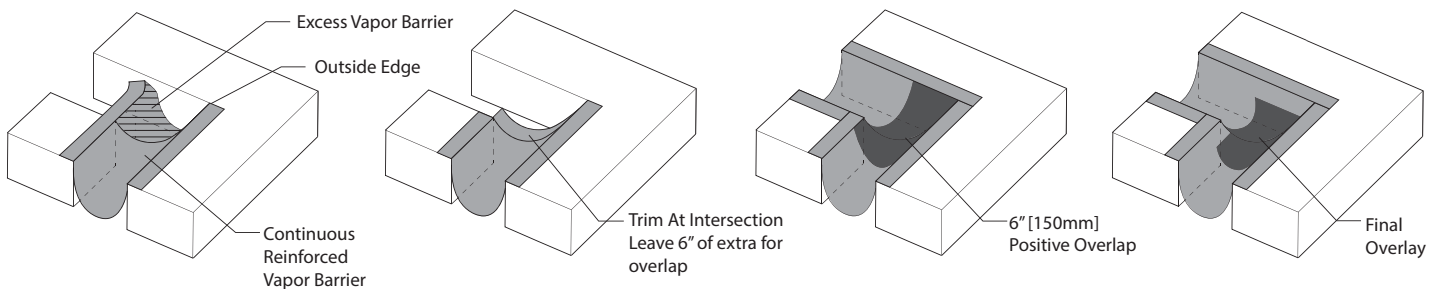
Figure 6 - (Top Mount)



A. T or X Intersections: (Figure 6)

15. Install the first run of moisture barrier into the joint opening that is intersected by the perpendicular joint opening. For cross or "T" or "X" intersections, install longest continuous run first.
16. At intersection, trim appropriate amount of the installed moisture barrier run from the intersecting joint opening, when trimming allow enough depth for the drape of the intersecting moisture barrier run.
17. Install perpendicular intersecting run into joint opening, ensure the drape of the new moisture barrier is the same depth at the intersection. Allow new run of moisture barrier to overlap into existing installed moisture barrier by 4-6" [100-150mm]. Trim excess barrier. Secure both sections together using approved adhesive. Overlay EPDM peel and stick flashing tape or EPDM sheet cut to match profile of intersection and secure.

Figure 7 - (Top Mount)



B. 90 degree "L" Intersection: (Figure 7)

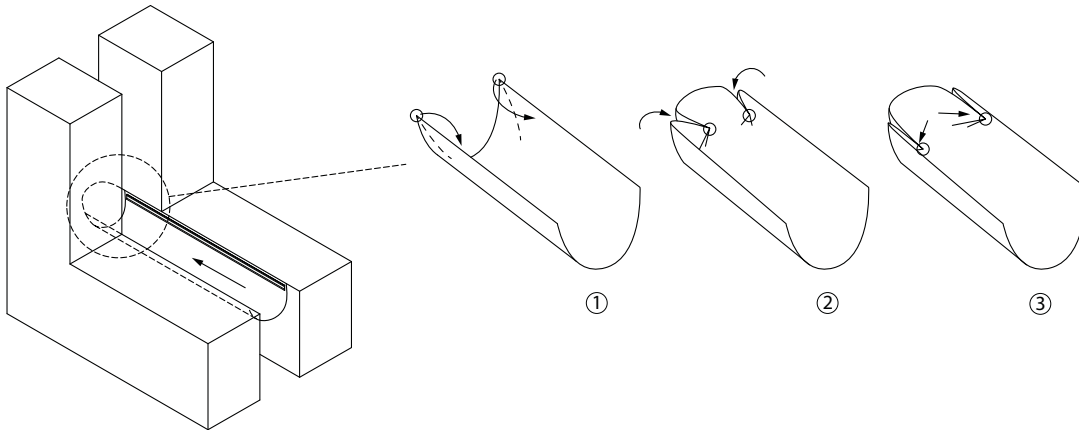
18. Install the first run of moisture barrier into the joint opening along entire length of joint opening. Continuing the outside edge of the moisture barrier to the outside corner of the intersection.
19. Cut excess portion of the moisture barrier leaving an extra 4-6" [100-150mm] starting at the inside corner working straight towards outside corner.
20. Install perpendicular intersecting run into joint opening, ensure the drape of the new moisture barrier is the same depth at the intersection. Allow new run of moisture barrier to drape onto the existing installed moisture barrier. Trim excess barrier keeping 6" [150mm] of overlap. Secure both sections together using approved adhesive. Overlay EPDM peel and stick flashing tape or EPDM sheet cut to match profile of intersection and secure.

Installation Instructions

Moisture Barrier (RVB) - Transitions

NOTE: Install moisture barrier per provided instructions. For securing transitions it is recommended to use: EPDM primer, EPDM lap sealant, EPDM seam tape or other approved Butyl sealants, or Peel and Stick adhesive sheets (not provided by Inpro). When installing intersections refer to architectural drawing or field conditions to verify required slope and drainage installation conditions are meet. Read all installation steps before installing.

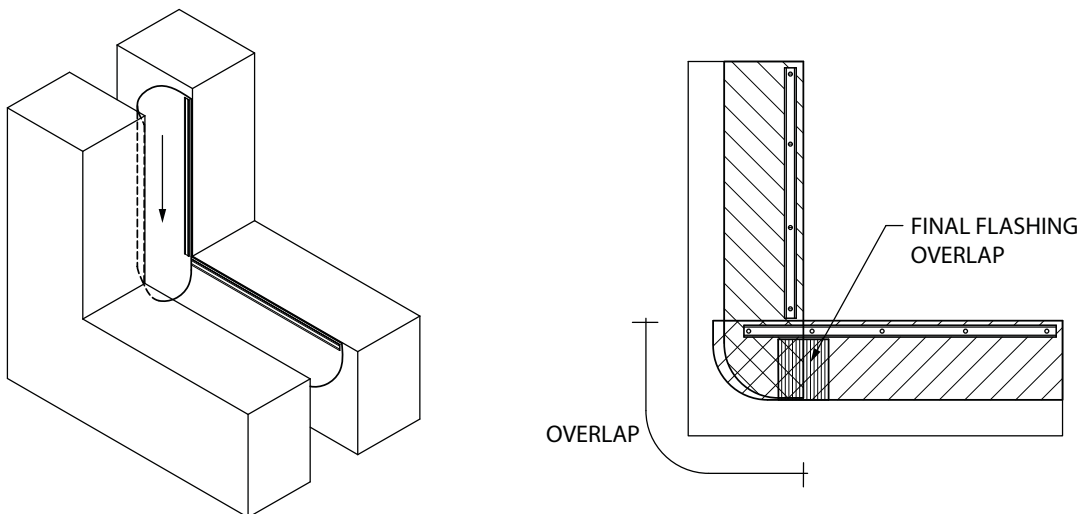
Figure 8



A. End Dam (Step 1 of Horizontal to Vertical Transition): (Figure 8)

21. Extend the Moisture Barrier past the end of the expansion joint. Pinch the corners of the Moisture Barrier end inward and "fold" back and upward like pictured in Figure 8. This creates an end dam where the Moisture Barrier ends.
22. Press the pinched ends tight against the sides of the joint, apply sealant and screw the ends under the term bars.

Figure 9



B. Horizontal to Vertical Transition (Step 2): (Figure 9)

23. Seat bottom of vertical Moisture Barrier run into horizontal run by repeating "folding" process from step 21.
24. Apply term bars and overlap the intersection with a final overlay of EPDM flashing.

Installation Instructions

Moisture Barrier Drain System (RVB) - Pitched (Sloped) Installs

Figure 10

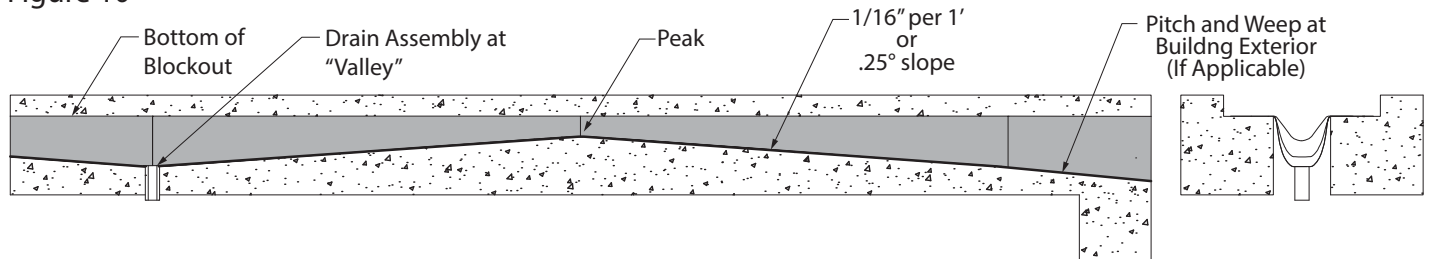


Figure 10a

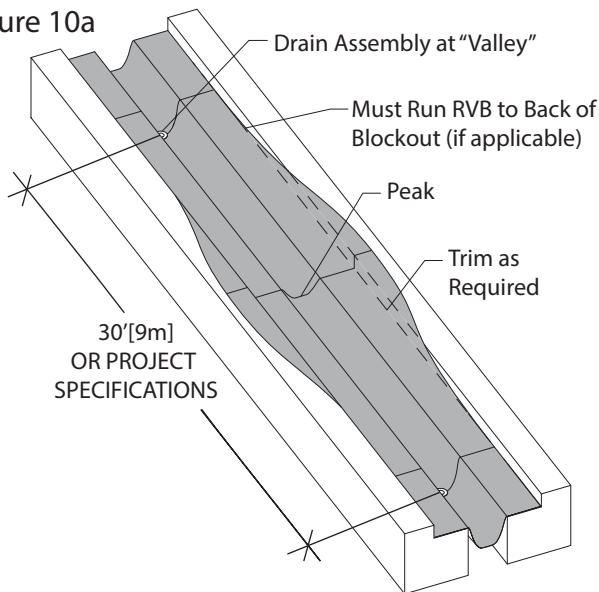


Figure 11

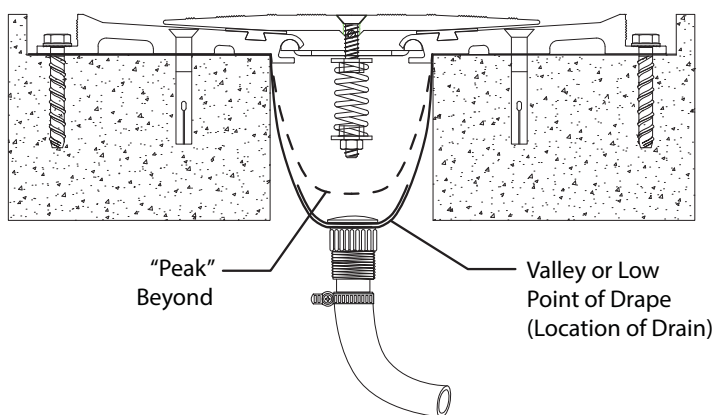


Figure 10

25. Positive drainage can be achieved by varying the drape of the membrane, creating a peak at desired high points or between (2) drain locations. 1/16" (3mm) drop per foot (305mm) [.25°] slope is desired. *Spacing to be signed off by architect of record.
26. Achieve the varying depth by starting with the membrane running past the EJ block out extents. Gently pushing the draped drain locations down into the joint opening, creating a "Valley" in the membrane. (See Figure 10a for the technique) The typical difference in height from a peak to valley point is 1 1/2" [38mm] over 30' [9.1m]. Alter this pitch to meet project specific requirements.

Figure 11

27. Install architectural expansion joint system according to the manufacturers instructions, into the blockout on top of the vapor barrier.
28. The final termination of the provided tube (30" length) is to be provided by others. Architect or plumbing engineer of record will design appropriate tie in to existing storm piping.

Installation Hotline • 866.EZINPRO

Inprocorp.com • 800.222.5556 • 262.679.9010

World Headquarters S80 W18766 Apollo Drive, Muskego, WI 53150 USA

JOINTMASTER®
EXPANSION JOINT SYSTEMS
A DIVISION OF INPRO®

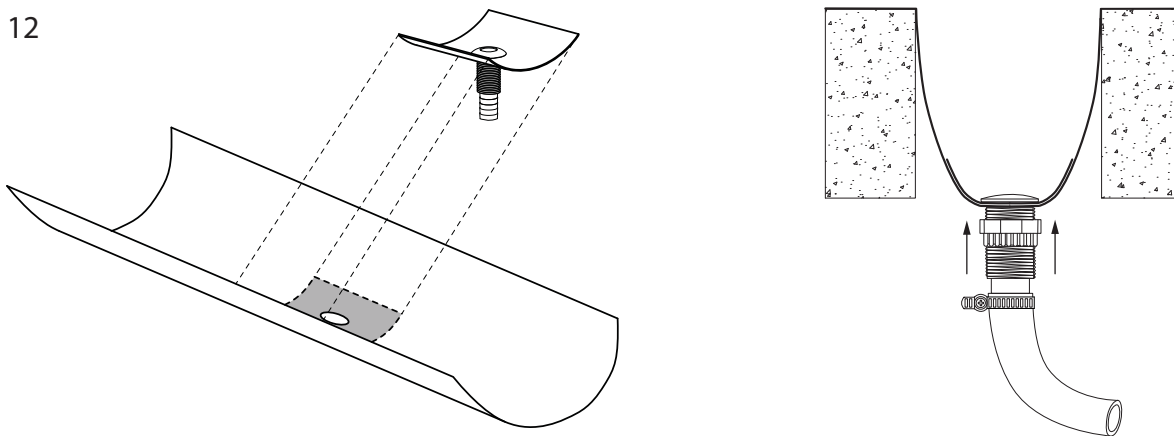
Installation Instructions

Moisture Barrier Drain System (RVB) - Drain Assembly and Install

Drain System Assembly and Install: (Figure 12)

29. Drains can be installed into moisture barrier before or after horizontal barrier install. It is preferred to install afterward to ensure drain is located perfectly at bottom of membrane drape and at low points of pitched valleys (if applicable).
30. Unscrew black washer and pipe clamp on underside of drain assembly. identify desired drain location, verifying proper spacing in contract documents. Using a marker, trace the inside of the washer to size the hole appropriately. Cut membrane neatly, do not oversize hole.
31. Use EPDM primer and approved adhesive method on draped membrane and underside of drain flashing and install. Reference dark shaded area in figure 12 below.
32. On underside of draped membrane, reinstall washer to sandwich the (2) layers of EPDM together. Reinstall the tube and pipe clamp.
33. 2.5' clear vinyl whip is provided. Ultimate termination configuration and tie into building plumbing drainage by others.

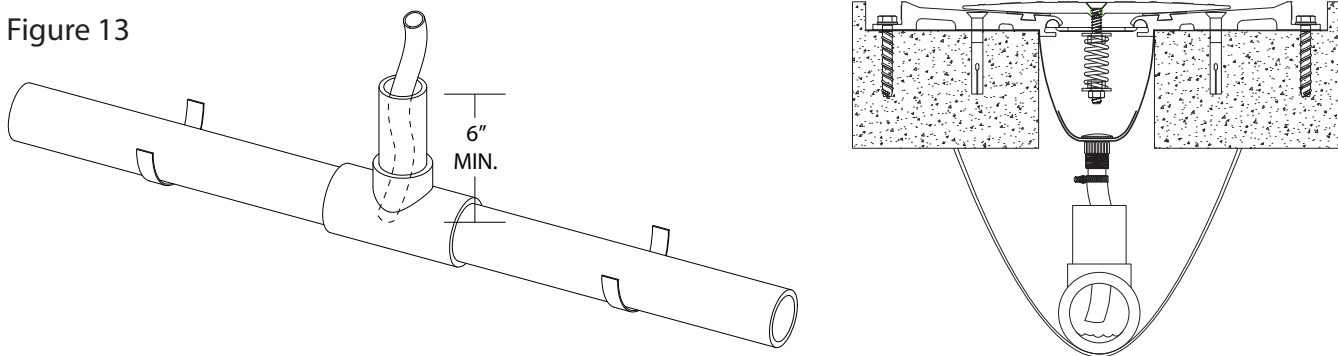
Figure 12



Note: One suggested solution below: (Figure 13)

-Hard line (PVC) drain lines can be installed with vertical sleeves. Insert clear vinyl tube drains into sleeves (minimum of 6"). Do not secure in place, allow tube to rise and fall freely.

Figure 13



Installation Hotline • 866.EZINPRO

Inprocorp.com • 800.222.5556 • 262.679.9010

World Headquarters S80 W18766 Apollo Drive, Muskego, WI 53150 USA

JOINTMASTER®
EXPANSION JOINT SYSTEMS
A DIVISION OF INPRO®