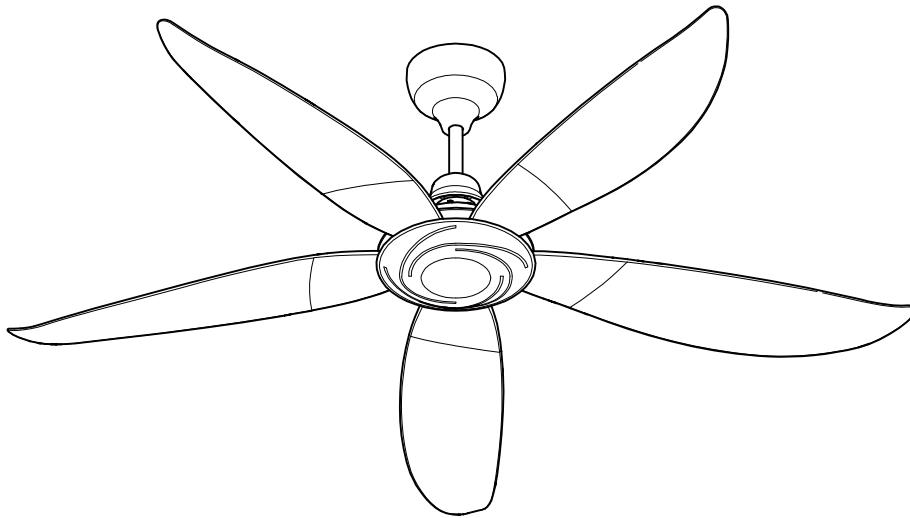


NSB FAN



Instruction Manual

Model: FD916

Contents page

	Page
Contents page	
Safety precaution and warnings	1
Parts and accessories	2
Installation procedures	3 - 6
Circuit diagram / Installation procedures	7
Fan blades installation procedures.	8
Remote control	9
Power supply connections / Maintenance	10
Technical specifications	11
How to use balancing kit	12

Safety Precautions.

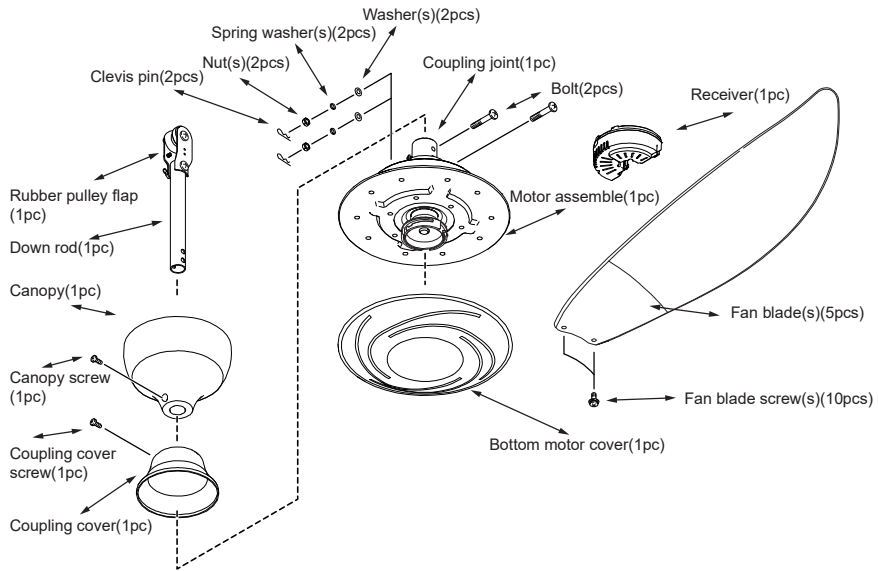
Important: Read before installation.

1. Turn off the electrical mains at the circuit breaker fuse box before installation.
2. Installation must be carried out by qualified wiring installer(s).
3. Use only a 220-240V~50Hz power supply.
4. The appliance must be permanently connected to the electricity supply through a double pole switch having a contact separation of at least 3mm in all poles.
5. Do not connect an appliance to a dimmer switch or a ceiling fan regulator.
6. Ensure the safety wire is looped across the ceiling fan mounting hook hole and secure the safety wire to the down rod.
7. Ceiling fan mounting hooks must be able to withhold a minimum weight of 50 pounds.
8. Ceiling fan must be mounted at a minimum height of 8.2 feet / 2.5 meters of clearance from the floor and tip of blade 3 feet / 1 meter away from wall.
9. Do not install ceiling fans at the area(s)/place(s) near/at:
 - a) Chemicals and alkali.
 - b) Flammable area(s) such as gas, or/and electric cooker.
 - c) Oily area(s).
 - d) Wet and high humidity areas for example shower areas.
 - e) High vibration/impact and continuously exposed to direct sunlight or wind.
10. Do not place any object(s) in the path of the fan blades.
11. When all electrical connections are done, store all wires neatly.
12. Make sure all screw(s) and nut(s) and connections are tightened till snug.

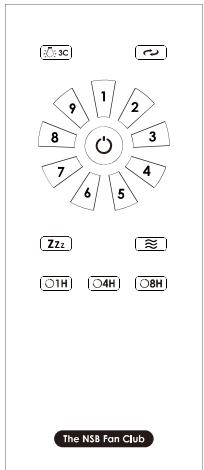
Warnings

This product is designed to use only those parts supplied with this product and/or accessories designated specifically for use with this product. Using parts and/or accessories not designated for use with this product may result in personal injury(s) and/or property damage(s).

Parts and accessories



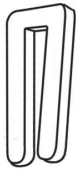
Parts and accessories



Remote control (1pc)



Balancing weight (2pcs)



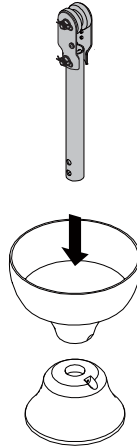
Balancing clip (1pc)

ALL PICTURES SHOWN ARE FOR ILLUSTRATION PURPOSES ONLY. THE ACTUAL PRODUCT MAY VARY DUE TO PRODUCT ENHANCEMENT.

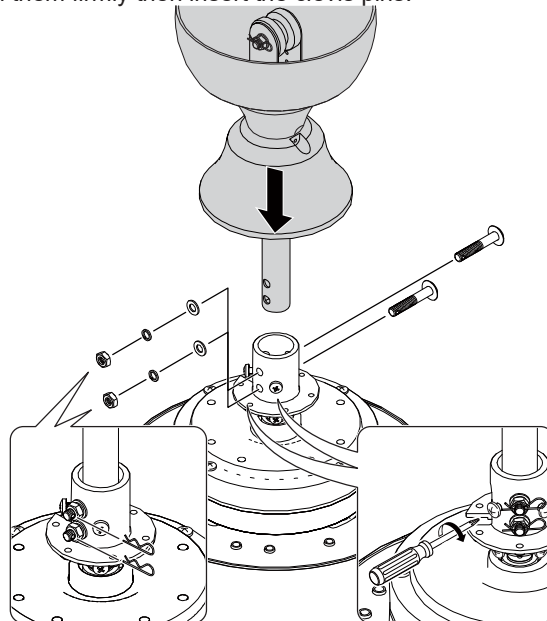
Installation procedures

IMPORTANT: SWITCH OFF ELECTRICAL MAINS AT THE MINIATURE CIRCUIT BREAKER BOX.

Step 1 - Assembly canopy and coupling cover through the down rod.



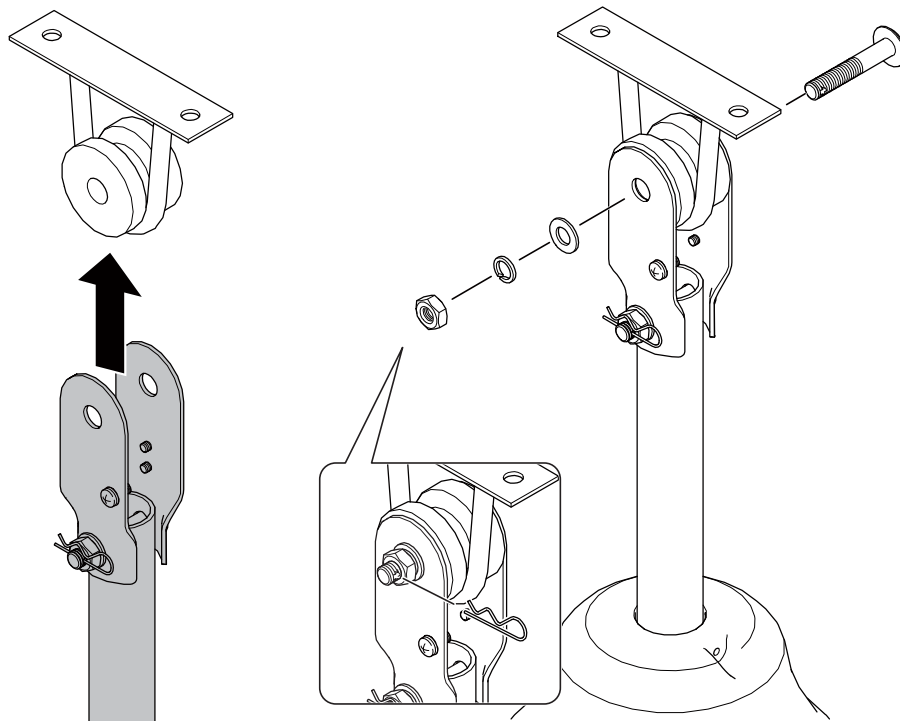
Step 2 - Remove both sets of clevis pins, nuts, washers, and bolts from the motor and assemble the joint. Route all wires from the motor assembly through the down rod. Place down rod to coupling with bolts, washers, nuts, and tighten them firmly then insert the clevis pins.



ALL PICTURES SHOWN ARE FOR ILLUSTRATION PURPOSES ONLY. THE ACTUAL PRODUCT MAY VARY DUE TO PRODUCT ENHANCEMENT.

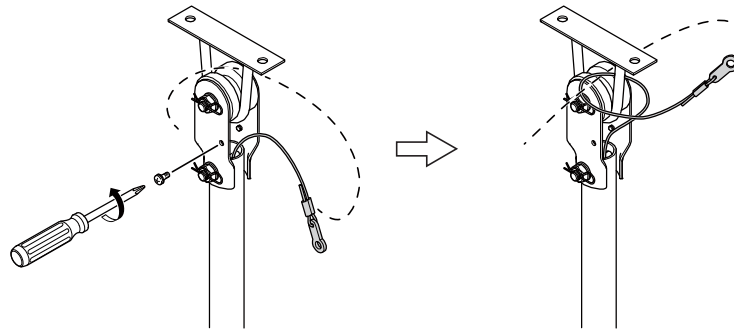
Installation procedures

Step 3 - Remove the clevis pin, nut, washer, and spring washer, from the bolt, and remove the bolt and rubber pulley from the down rod. Place rubber pulley onto ceiling fan hook, insert flap to rubber pulley, and align holes. Push the bolt from one side of the flap through the rubber pulley to the other side of the flap. Place washer, and spring washer through the bolt, tighten the nut, and push the clevis pin into the hole found on the threaded end of the bolt.

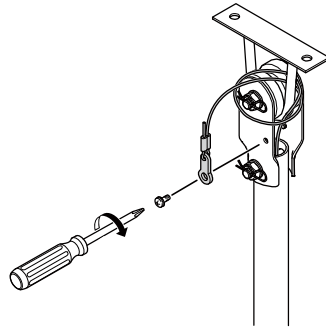


Installation procedures

Step - 4 Tie safety wire across the hook as shown

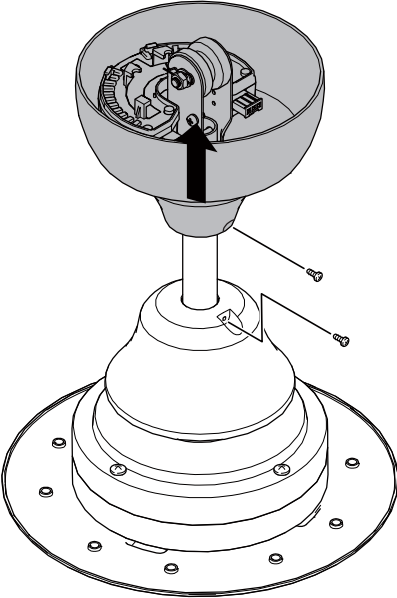
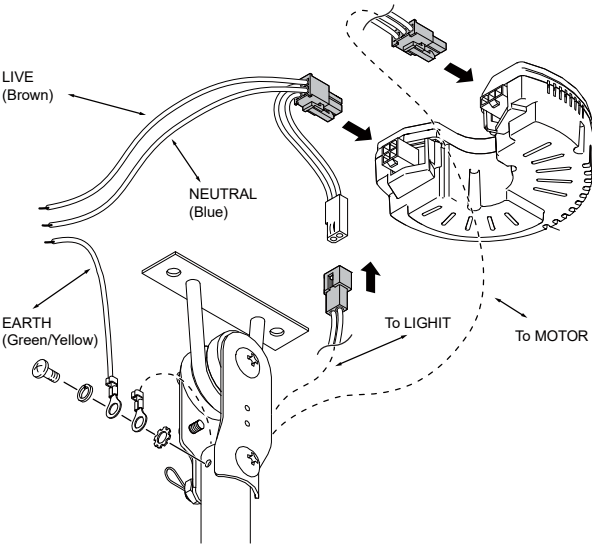


Step 5 - Firmly screw the safety wire with the spring washer onto the down rod

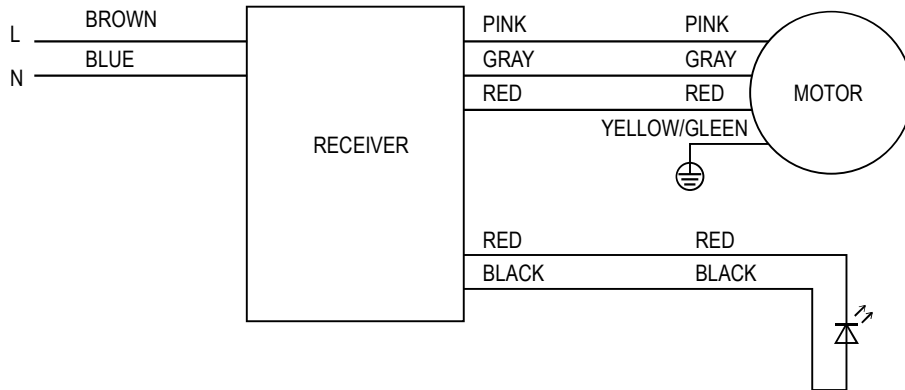


Installation procedures

Step 6 - Wire up wires as shown

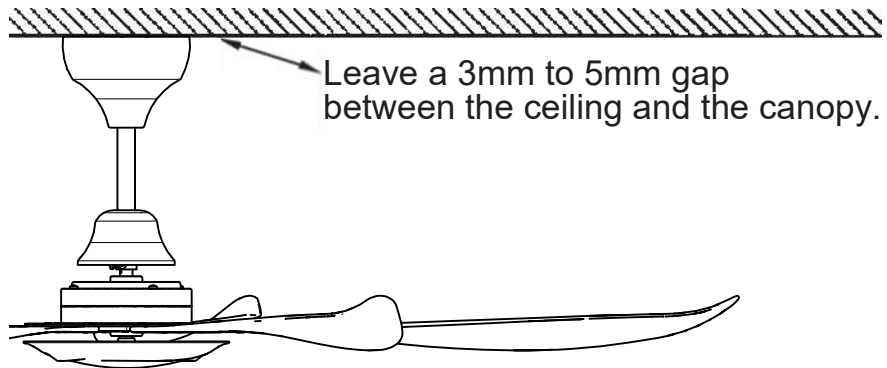


Circuit diagram



Installation procedures

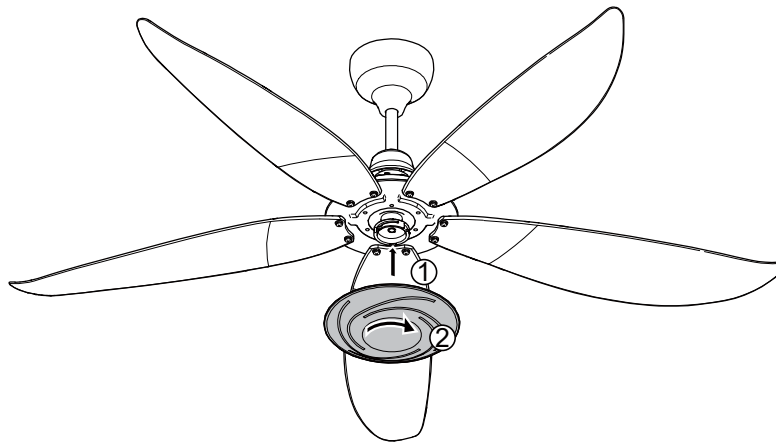
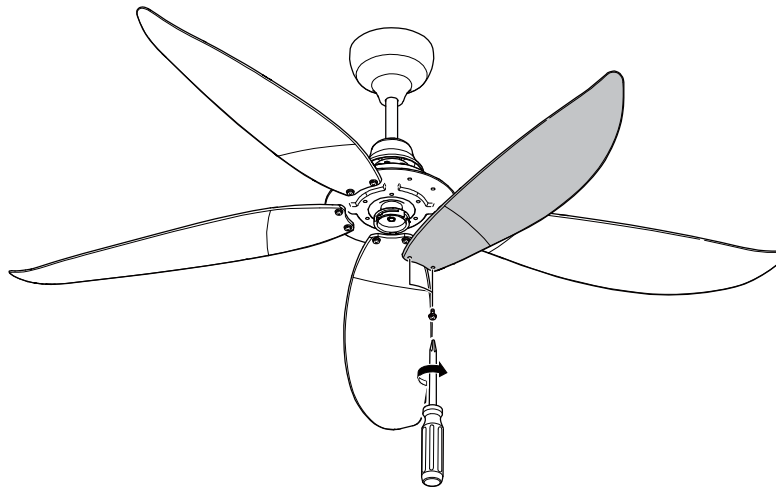
Step 7 - Tighten the canopy with the screw provided. Leave a gap of 3mm - 5mm between the canopy and the ceiling.



Fan blades installation procedures

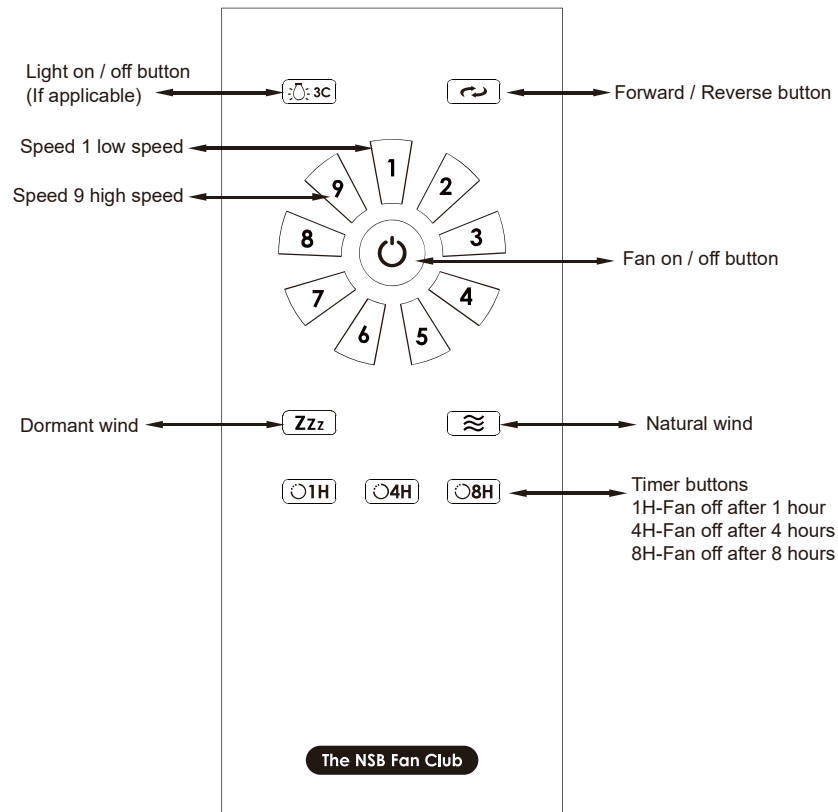
Step 8 - Tighten the fan blades with the screws provided. Each blade uses 2 pieces of screws and 2 washers.

Step 9 - Ensure screws (10pcs) for securing fan blades are tightly screwed. Each fan blade requires 2 screws and 2 washers.



Remote control

2 X 1.5V AAA batteries are provided. Insert batteries into the remote control.

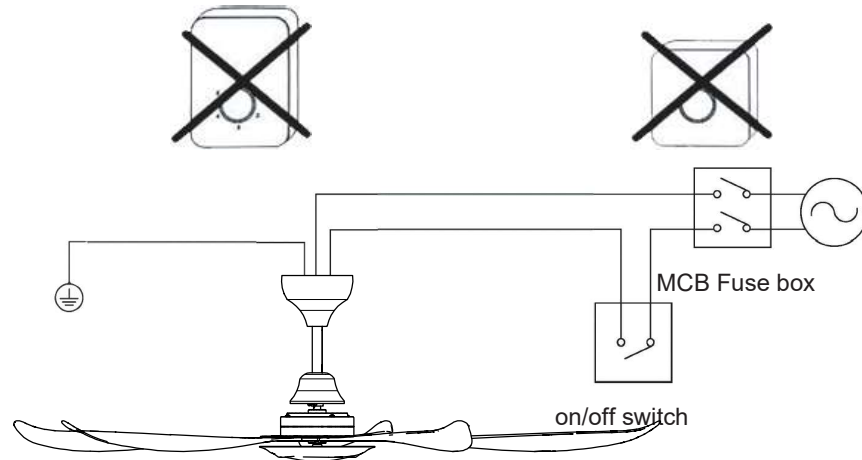


The pairing of remote control and receiver

- 1) Switch off the power supply to the fan.
- 2) Switch on the power supply to the fan.
- 3) Long press on button within 10 seconds.
- 4) When beep sound is heard, pairing is complete.

Power supply connections

Reminder: USE ONLY NSB FAN, SPECIFIC REMOTE CONTROL TO CONTROL FAN'S SPEED. DO NOT CONNECT THE FAN TO THE DIMMER SWITCH OR WALL REGULATOR.



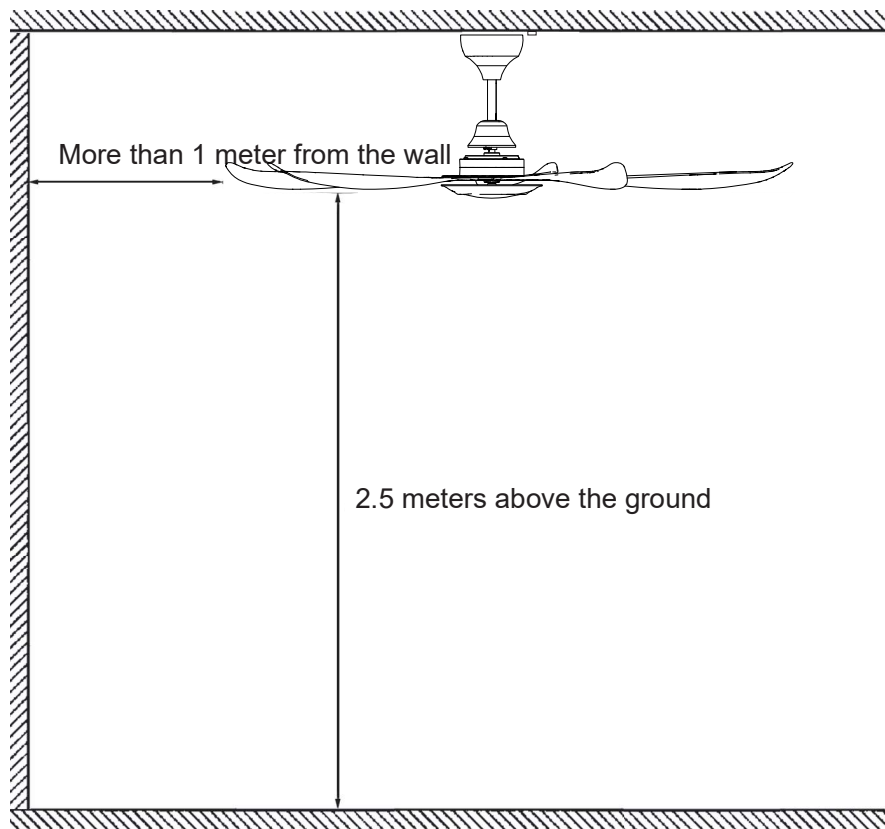
Maintenance

Due to the fan's natural movement, connections may get loose after a period of usage, to ensure proper and safe usage, it is highly recommended to inspect and tighten all connections every 6 months.

Cleaning your fan periodically will prolong its new appearance. Basic cleaning procedures are as follows:

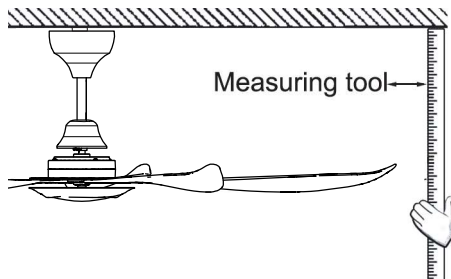
- 1) Use only water. NO detergent, corrosive acidic solution.
- 2) Use only a soft damp cloth to clean the fan.
- 3) No lubricating oil on the fan's spare parts.

Technical specifications



Model	FD916
No. of blades	5
Voltage	220V-240V~50Hz
Motor	AC

How to use balancing kit



PREFACE

Fan wobble, may be due to irregular fan blades and/or fan blades holder. Improper assembly may also cause the ceiling fan to wobble. This balancing kit can be used to rectify wobbling problems.

Dynamic blade balancing kit for ceiling fan.

1. Make sure that all blades are firmly screwed into the fan blade holder.
2. Make sure all fan blade holders are firmly secured to the motor housing.
3. Looking up at the fan from below, check and confirm that none of the fan blade holders are bent and that none of the fan blades are out of position. A correction can be made by bending the fan blade holder back into position gently.
4. Use a measuring tape to check the blade tracking. Put yard tape up against the ceiling vertically and against the outside leading edge of a fan blade. Note the distance of the ceiling. Turn the blades slowly and carefully by hand to check the remaining blades. If the fan blades are not in alignment, the blade holder may be gently bent up or down to be in line with other fan blades.
5. **Please take note that the above-mentioned method of fan blade correction is not applicable to all fan blade holders.**

After following all steps and if the wobbling problem is not solved, a dynamic balancing kit is needed to rectify the problem. Please follow the procedures listed below:

- Turn on the ceiling fan and adjust the speed control (usually high speed) setting to the speed which created the greatest wobble.
- Turn off the ceiling fan, select one of the blades, and place the balancing clip on it, halfway between the fan blade holder and the tip of the fan blade.
- Turn on the ceiling fan, and see if the wobble improves or worsens. Turn off the fan again and move the balancing clip to another fan blade and test again. Repeat this process with all fan blades and then note the fan blade that causes least wobble.
- Move the balancing clip to the fan blade which shows the least wobble or shows the most improvement. Move the balancing clip in and outward on this fan blade and operate the fan to find the position where the balancing clip gives the most improvement.
- Remove the balancing clip and stick the balancing weight on top of the fan blade, along the center line near the point where the clip was positioned.

Caution: stay clear of fan blades, if the balancing clip for any reason is not secure may cause injury(s).





NSB FAN

If technical assistance is required, please contact NSB FAN customer service.

NSB Home Appliances Sdn Bhd

Careline number: -
1300 880 672 (NSB)
www.nsb.com.my