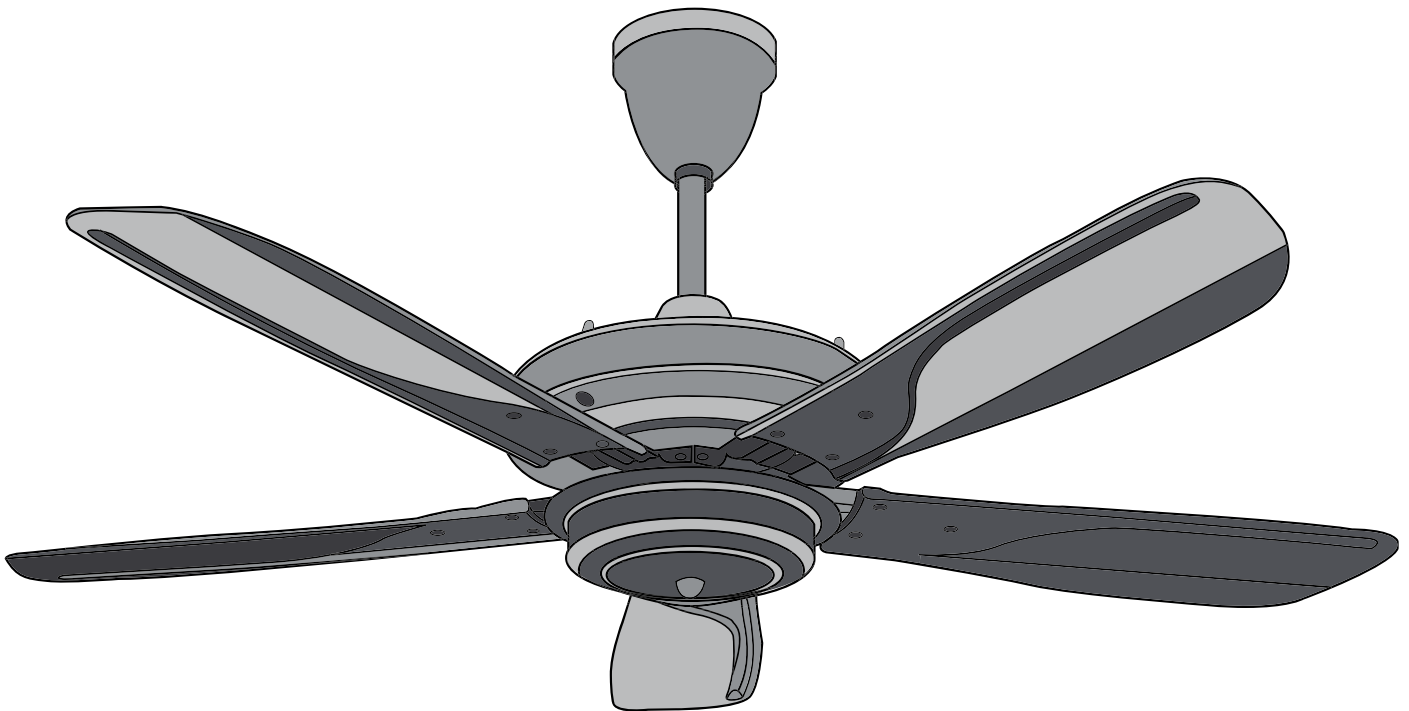




FD952 54



USER MANUAL & INSTALLATION GUIDE



Tables of Contents

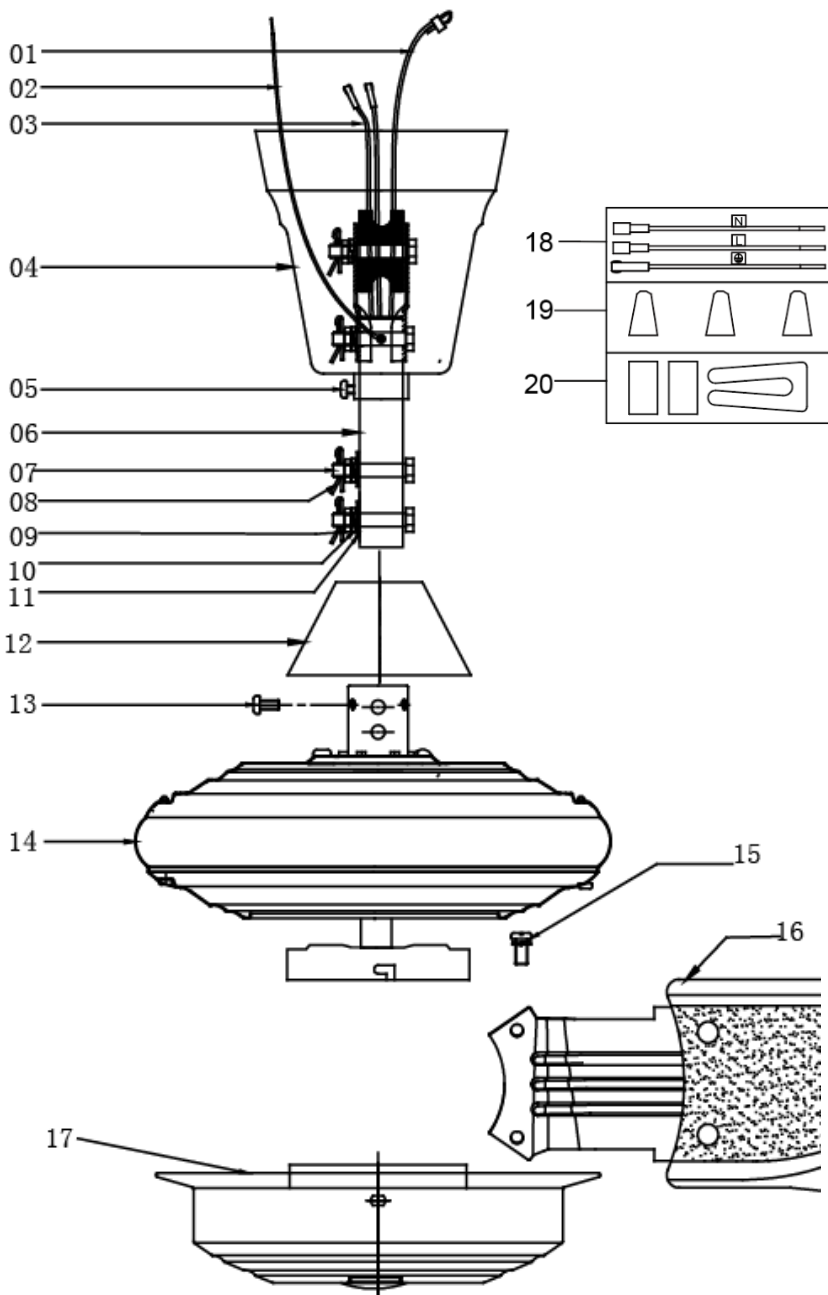
Parts & Accessories	2
Fan Installation Instruction.....	3
Fan Mounting	4
Blades Assembly.....	5
Accessories Assembly	5
Electrical Connection	6
Install Canopy	7
Using Your Ceiling Fan	7
Maintenance	8
Troubleshooting	9

Safety Precaution

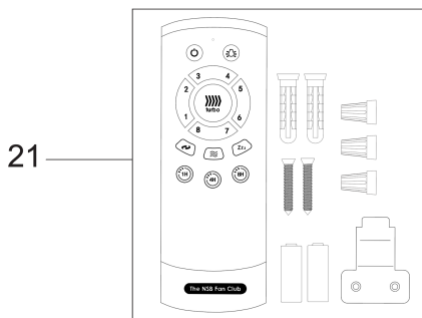
IMPORTANT: PLEASE READ BEFORE INSTALLATION

1. Installation must be carried out by a qualified wiring installer
2. Turn off the electrical mains at the circuit breaker fuse box
3. Use power supply 220-240V/50Hz.
4. When mounting the fan, ensure that the safety cable is loop across the ceiling mounting hook.A
5. The ceiling mounting hook must be able to with hold a min of 35 pounds.
6. Install ceiling fan blade more than 2.3 M above floor.
7. Do not place any objects in the path of the blades.
8. When all electrical connection is done, store all wire neatly.
9. Make sure that all screws and connection are tightly screwed and secured.
10. This appliance is not intended for use by persons (including children) with Reduced physical, sensory or mental capabilities, or lack of experience and knowledge, unless they have been given supervision or instruction concerning use of the appliance by a person responsible for their safety. Children should be supervised to ensure that they do not play with the appliance.
11. This appliance can be used by children aged from 8 years and above and persons with reduced physical, sensory or mental capabilities or lack of experience and knowledge if they have been given supervision or instruction concerning use of the appliance in a safe way and understand the hazards involved. Children shall not play with the appliance. Cleaning and user maintenance shall not be made by children without supervision.
12. An all - pole disconnection must be incorporated in the fixed wiring in accordance with the wiring rules, a all - pole disconnection incorporated in the fixed wiring is to be provided.

Parts & Accessories



- 01 Safety cable x1
- 02 Grounding wire x1
- 03 Lead wire x2
- 04 Canopy x1
- 05 Canopy screws x1
- 06 Down rod x1
- 07 Bolt x2
- 08 Stop pin x2
- 09 Nut x2
- 10 Spring washer x2
- 11 Flat washer x2
- 12 Yoke cover x1
- 13 Collar cover for screws x2
- 14 Motor x1
- 15 Blade holder screws x11
- 16 Blade x5
- 17 Switch Housing x1
- 18 Lead wire x3
- 19 Wire nut x3
- 20 Balancing kits x1set
- 21 Remote controller x1set

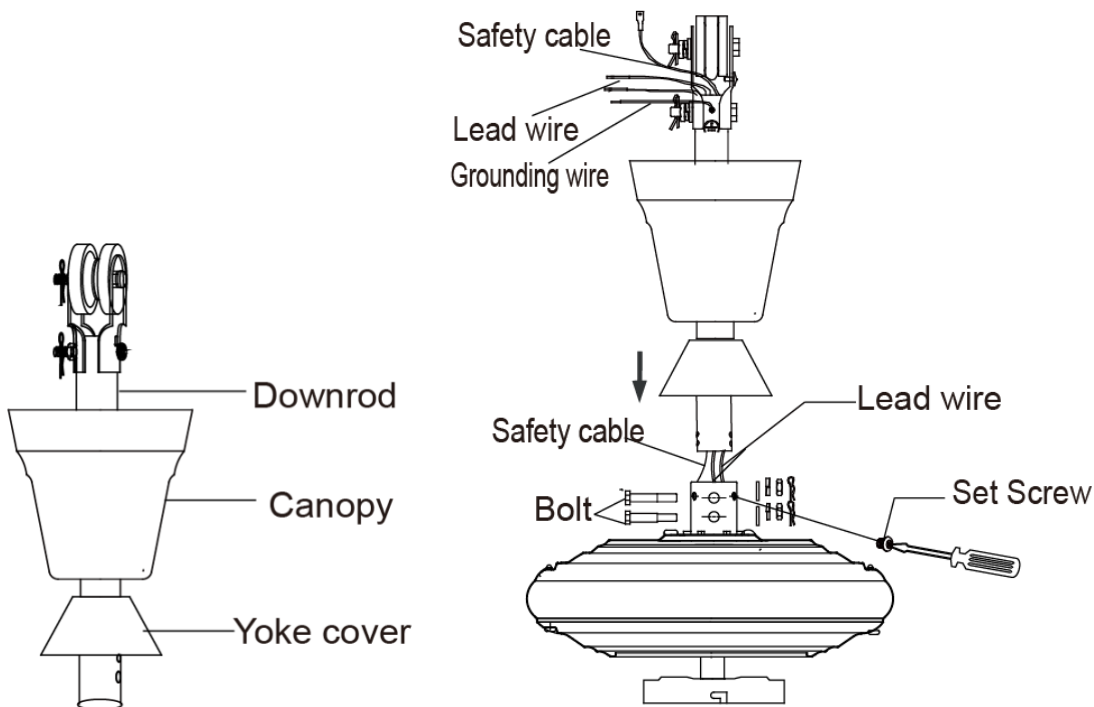


Fan Installation Instruction

IMPORTANT: SWITCH OFF THE ELECTRICAL MAINS THE CIRCUIT BREAKER FUSE BOX.

Follow the steps below to hang your fan properly.

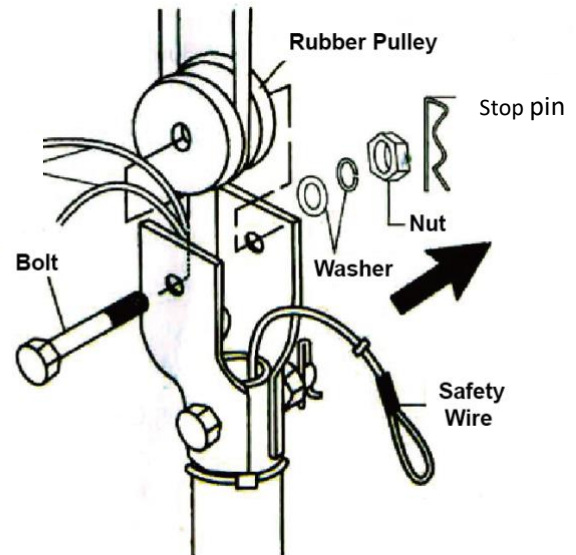
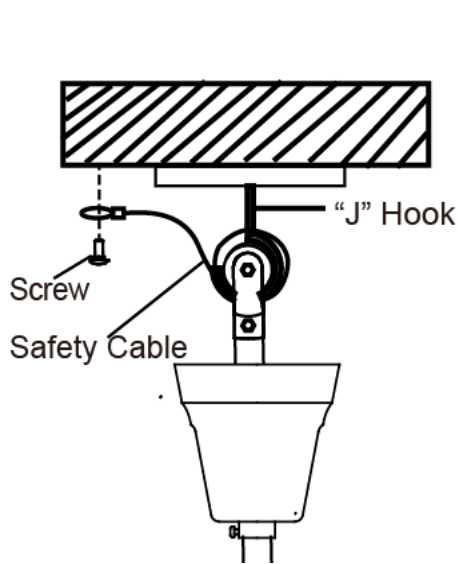
1. Insert the downrod through the canopy and yoke cover
2. Through the lead wire and safety cable out the top of downrod.
3. Align the holes at the bottom of the downrod with the holes in the yoke on top of the fan motor assembly.
4. Carefully insert the bolt through the holes in the yoke and downrod. Be careful not to jam against the wires inside the downrod. Insert stop pin to ensure security.
5. Tighten the two screws on top of the fan motor firmly.
6. Slide down the yoke cover



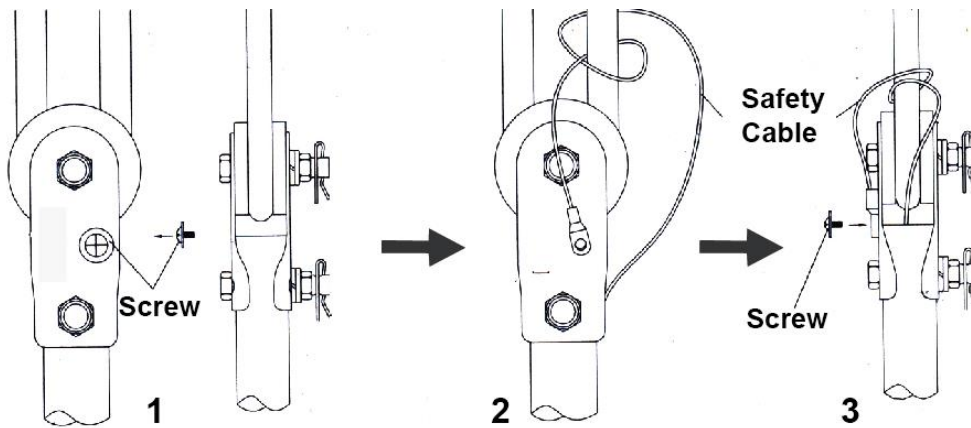
Warning : Make sure the stop pin is properly engaged to prevent it from falling out. Failure to properly install stop pin as noted could result in fan loosening and possibly falling.

Fan Mounting

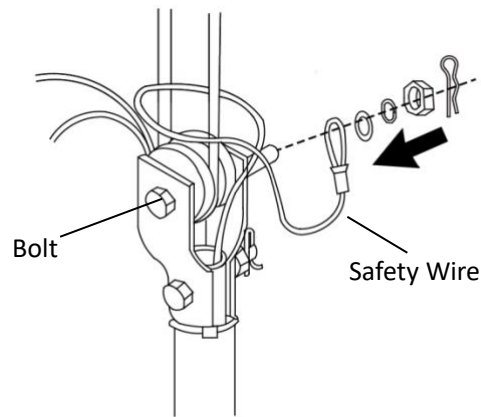
1. "J" Hook mounted , When mounting the fan, ensure that the safety cable is loop across the "J" hook.
2. "U" Hook mounted Remove the bolt, stop pin, nut, washer and rubber pulley from the downrod. Place the rubber pulley onto "U" hook and fix back the bolt, stop pin, nut and washer.



3. Remove the safety Cable Screw from the down rod bracket. Arrange and tie the Safety Cable as step 2. Firmly screw the Safety Cable onto the down rod.



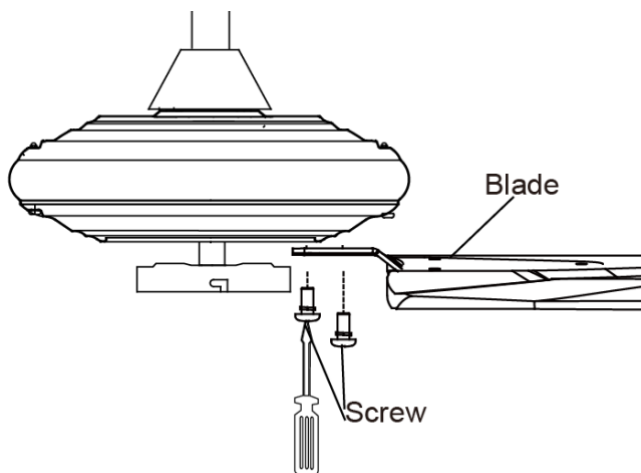
4. Tie the safety wire across the "U" hook and insert into the bolt and secure with washer nut and stop pin.



WARNING: Safety Cable must be fixed correctly. May cause injury if ceiling fan drops.

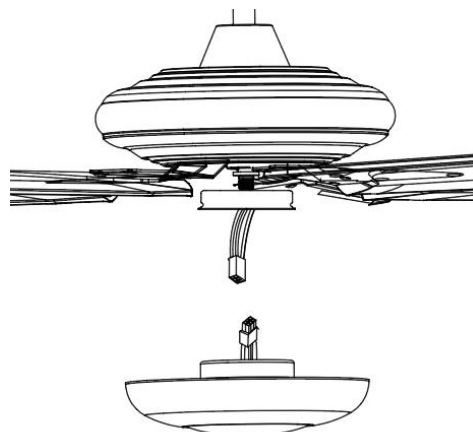
Blades Assembly

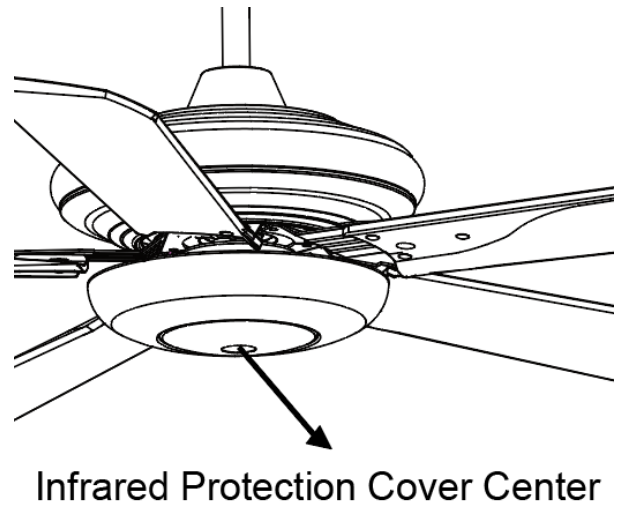
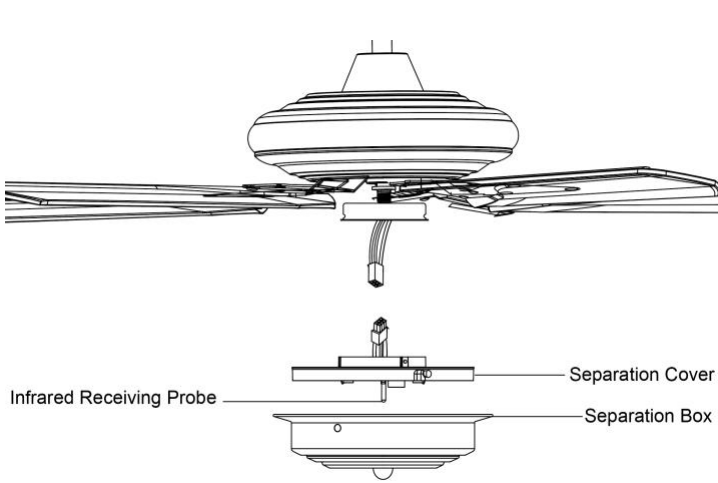
1. Tighten the blades with screws provided in the screw bag, each Blade uses 2 pieces of Screw.
2. Ensure the screw (10 PCS) for securing the blade are tightly screwed



Accessories Assembly

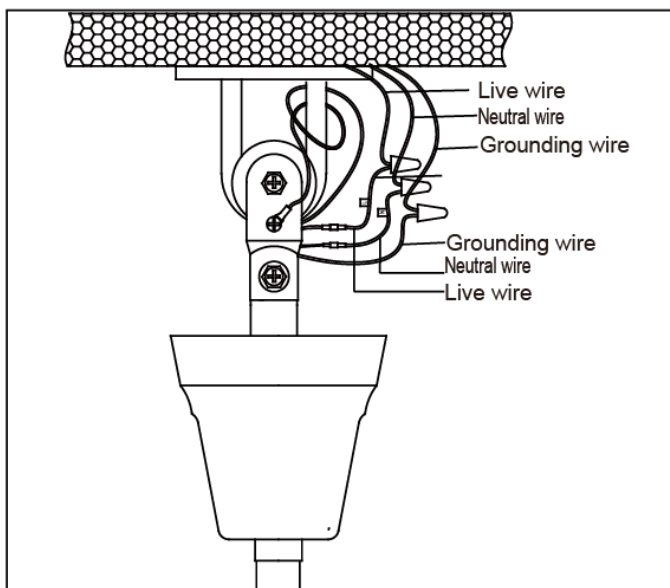
1. Connect the plug on motor to plug in switch housing .tight 3 screws beside of switch housing.
2. If the separation cover is separated from the separation box, after the entire ceiling fan is assembled, it is necessary to confirm that the infrared receiving probe is in the center of the infrared protection cover.



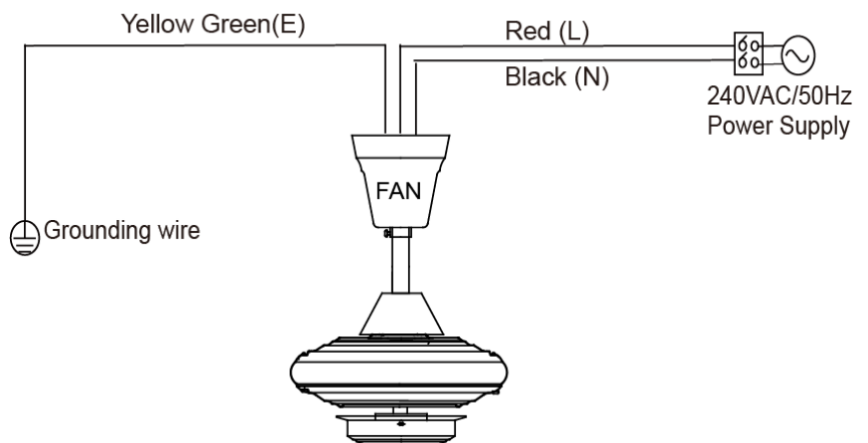


Electrical Connection

Connect the red & black wire to the house's supply wire. Diagram shows a complete assembly of the ceiling fan with safety wire mounted on the hook. Supply leads accommodated in the canopy.

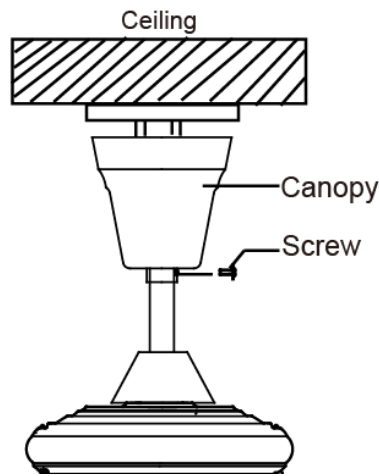


RED-----LIVE WIRE
 BLACK-----NEUTRAL WIRE
 YELLOW GREEN -----GROUND WIRE



Install Canopy

1. Raise the Canopy and tighten it with the Set Screw.

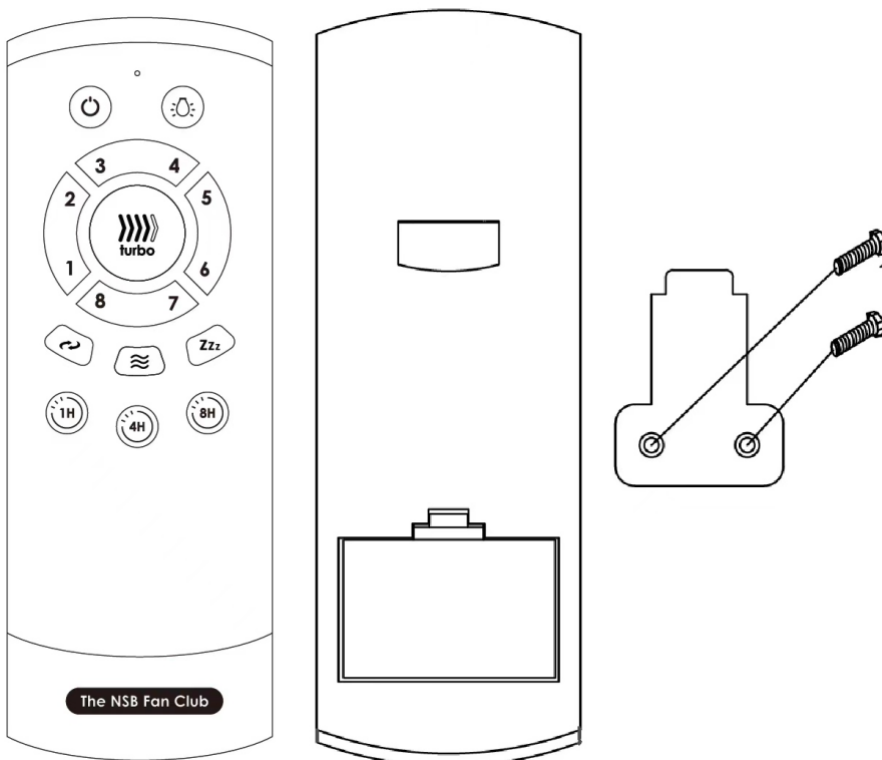




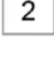
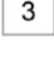
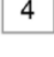

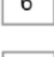
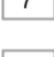



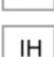



Using Your Ceiling Fan

RF Transmitter Manual

Installation

1. Install the remote holder on wall with the 2 screws provided
2. Install provided battery into the remote control.



-  Fan ON/OFF Button
-  Light ON/OFF
-  Speed 1
-  Speed 2
-  Speed 3
-  Speed 4
-  Speed 5
-  Speed 6
-  Speed 7
-  Speed 8
-  Speed (High 9)
-  Reverse function button
-  Natural flow button
-  Sleep
-  Time 1
-  Time 4
-  Time 8

NOTE

1. Remote pack includes 1.5V (AAA) battery x 2 pcs
2. For ceiling fan without light model, the light button has no function.



In order to reduce damage to the emitter if you don't use for a long time, please take out the battery

Maintenance

Due to fan's natural movement, connections may get loose after a period of usage.

To ensure a proper and safety usage, We are highly recommended to inspect and tighten all connections every 6 months.

CLEANING

Clean your fan periodically to prolong its new appearance. Basic cleaning procedures are as follows:

1. Use only lukewarm water. Do not use detergent, corrosive or acidic solution.
2. Damp the cloth lightly. Use only soft or lint-free cloth to clean the fan. Rough fabric will scratches the surface.
3. Apply a thin coat of furniture polish to the wooden blades will protect and enhance the appearance.
4. To cover small scratches, apply a light coat of shoe polish over it.
5. There is no need to lubricant the fan.

Troubleshooting

Check on the following before lodging a service report.

SYMPTOM	PROBLEM	SOLUTION
Fan not moving	<ol style="list-style-type: none">1. Main cables not connected2. Wire connection loose	<ol style="list-style-type: none">1. Check main and branch circuit Breakers or fuse.2. Check the line wires connections to the fan and switch housing.
Fan noisy	<ol style="list-style-type: none">1. Housing screws are loose2. 2.Wire and nut connections rattles against each other.3. Canopy touches the ceiling	<ol style="list-style-type: none">1. Tighten all screws2. Separate and store neatly the wire connections from the nut.3. Check to ensure the canopy is not touching or too close to the Ceiling.
Remote control Not working	<ol style="list-style-type: none">1. Remote and receiver code different2. Battery not installed3. Weak battery	<ol style="list-style-type: none">4. Check that the codes to ensure exactly the same5. Install the remote control battery6. Change a new battery