

INSTRUCTION MANUAL

CEILING FAN



ANGSANA 72

DC MOTOR | PAULOWNIA WOOD | LED GX53

SAFETY PRECAUTION

IMPORTANT: PLEASE READ BEFORE INSTALLATION

1. Installation must be carried out by a qualified wiring installer
 2. Turn off the electrical mains at the circuit breaker fuse box
 3. Use power supply 220-240V/50Hz.
 4. The ceiling mounting must be able to with hold a min of 16kg.
 5. Install ceiling fan blade more than 2.3 M above floor.
 6. Do not place any objects in the path of the blades.
 7. When all electrical connection is done, store all wire neatly.
 8. Make sure that all screws and connection are tightly screwed and secured.
9. This appliance is not intended for use by persons (including children) with Reduced physical, sensory or mental capabilities, or lack of experience and knowledge, unless they have been given supervision or instruction concerning use of the appliance by a person responsible for their safety. Children should be supervised to ensure that they do not play with the appliance.
10. his appliance can be used by children aged from 8 years and above and persons with reduced physical, sensory or mental capabilities or lack of experience and knowledge if they have been given supervision or instruction concerning use of the appliance in a safe way and understand the hazards involved. Children shall not play with the appliance. Cleaning and user maintenance shall not be made by children without supervision.
11. An all - pole disconnection must be incorporated in the fixed wiring in accordance with the wiring rules, a all - pole disconnection incorporated in the fixed wiring is to be provided.

PARTS & ACCESSORIES

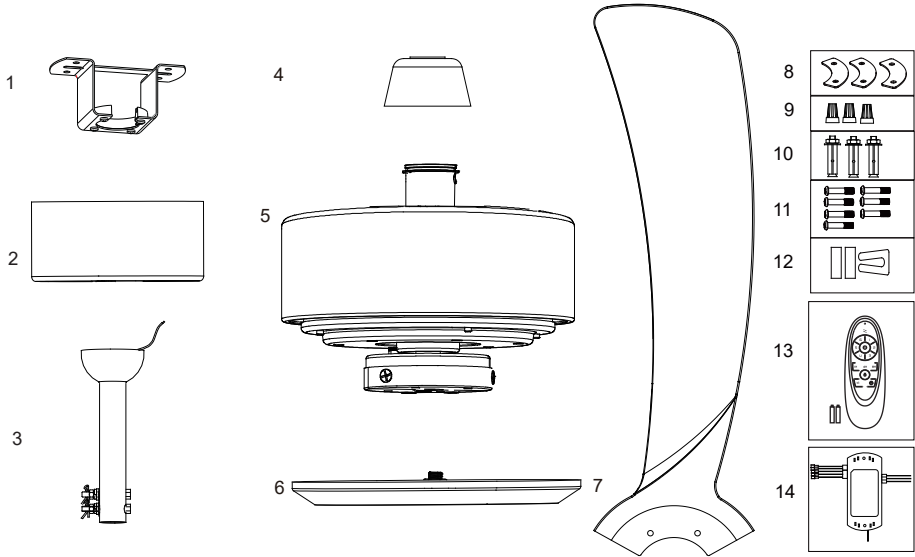


Fig.1

1	Mounting bracket	x1	8	Blade kits	x 3
2	Canopy	x 1	9	Nut	x 3
3	Downrod	x 1	10	Expansion bolts	x 3
4	Yoke cover	x 1	11	Blade screws	x 7
5	Motor	x 1	12	Balancing kits	x 1set
6	Bottom cover	x 1	13	Remote	x 1
7	Blades	x 3	14	Receiver	x 1

PARTS & ACCESSORIES

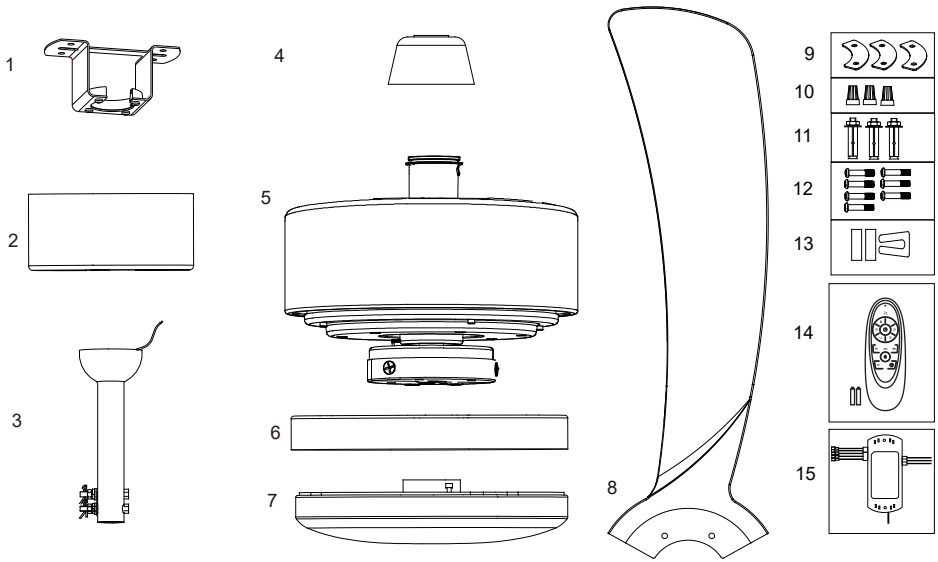


Fig.2

1	Mounting bracket	x1	9	Blade kits	x 3
2	Canopy	x 1	10	Nut	x 3
3	Downrod	x 1	11	Expansion bolts	x 3
4	Coupling cover	x 1	12	Blade screws	x 7
5	Motor	x 1	13	Balancing kits	x 1set
6	Light kit	x 1	14	Remote set	x 1
7	GX53 LED	x1	15	Receiver	x 1
8	Blades	x 3			

FAN INSTALLATION INSTRUCTION

1. Remove the ball joint and pin(A B) by loosening the set screws and parts screws(C) from the down rod.(Fig.3)
2. Carefully feed the fan wires up through the down rod.(Fig.4)
3. Assemble the down rod into the motor coupling housing, line up the coupling holes with the down rod holes and insert the pin(B). by tightening coupling housing with the parts screws(C).(Fig.4)
4. Insert the coupling cover through the down rod to cover the down rod coupling housing.(Fig.4)
5. Insert the canopy through the down rod and install the ball joint and pin back onto the down rod and secure by tightening the parts screws(C).(Fig.4)

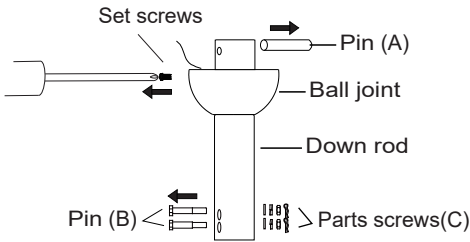


Fig.3

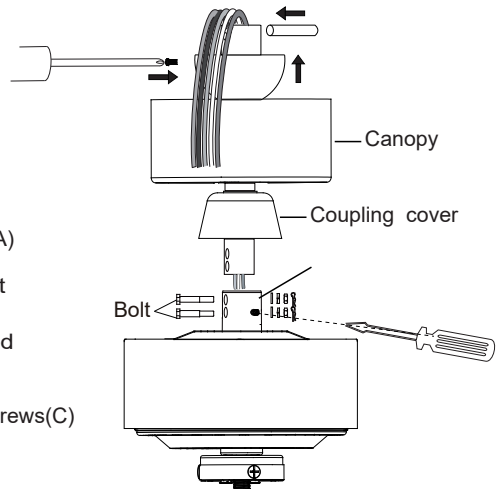


Fig.4

Warning : Make sure the stop pin is properly engaged to prevent it from falling out. Failure to properly install stop pin as noted could result in fan loosening and possibly falling.

INSTALL THE HANGER

- Secure the mounting bracket to the concrete ceiling or structure that is capable of carrying a load of at least 40kg, with expansion bolt provided.(Fig.5)
- The ceiling fan must be installed in a location so that the blades are 300mm spacing from the tip of the blade to the nearest objects or walls.

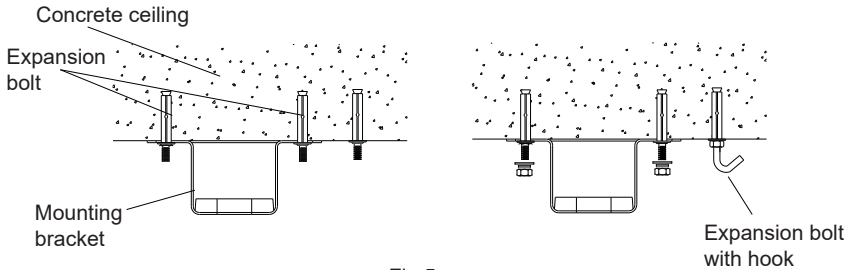


Fig.5

- Lift the fan motor housing on the mounting bracket, ensure the ball joint locating the groove aligns with the notch on the mounting bracket.(Fig.6)
- Twine the safety cord around the expansion bolt,insert the safety cord to the wire-lock, tighten the screw to lock safety.(Fig.6)

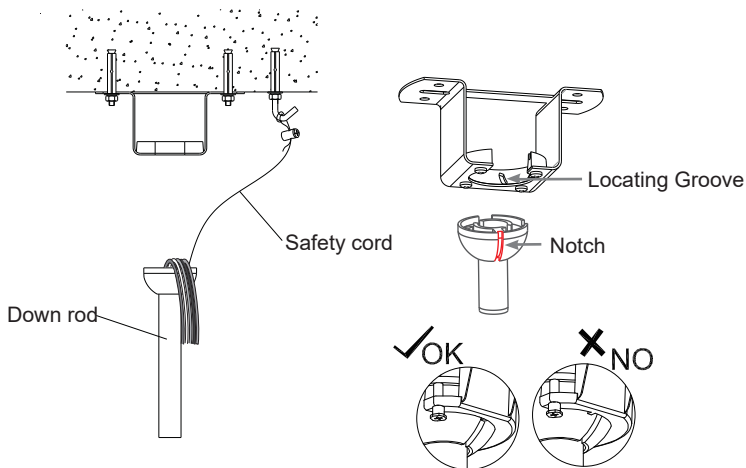


Fig.6

ELECTRICAL CONNECTION

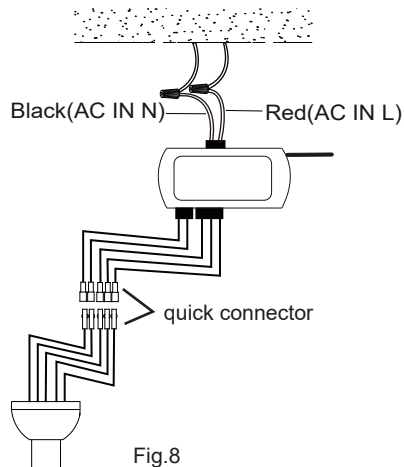
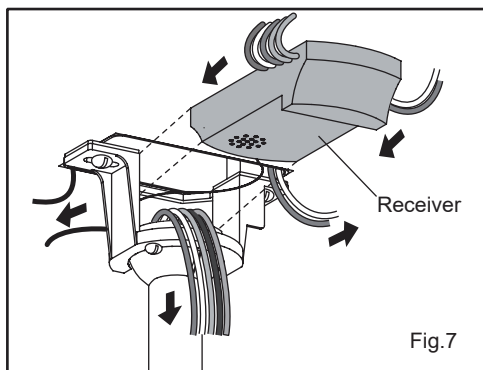
Warning : To avoid possible electric shock, turn off the electricity at the main fuse box or circuit panel before the fan electrical connection. For safety and best installation result please consult a qualified electrician.

10. Move Ground Wires and Motor Wires away from the center of the Hanger Bracket. Then slide Receiver through Hanger Bracket as shown, Antenna end first, until it is centered.(Fig.7)

11. Connect wires: As shown in the below (Fig.8)

- 1) Connect the Black (L) wire from motor to the Black "For Light L" wire from Receiver with a wire nut.
- 2) Connect the Blue (N) wire from motor to the Blue "For Light N" wire from Receiver with a quick connector.
- 3) Connect the Grey (V) wire from motor to the Yellow "TO MOTOR V" wire from Receiver with a quick connector.
- 4) Connect the Pink (U) wire from motor to the Brown "TO MOTOR U" wire from Receiver with a quick connector.
- 5) Connect the Red (W) wire from motor to the Red "TO MOTOR W" wire from Receiver with a quick connector.
- 6) The electric wire(hot) the Red "AC in L" wire from Receiver with a wire nut.
- 7) The electric wire (neutral) the Black "AC in N" wire from Receiver with a wire nut.
- 8) The ground wire from the Hanger Ball and the green ground wire from the Hanger Bracket with a wire nut. (Make sure all of wire nuts are connected firmly.)

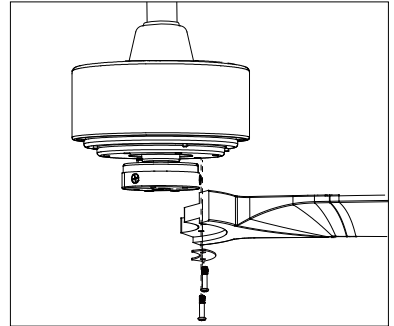
12. When the connection is completed, slide the canopy up to the mounting bracket and screws securely.



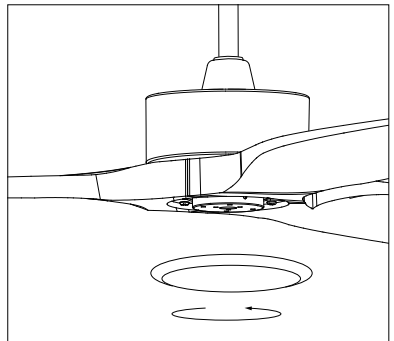
BLADE INSTALLTION

13. Insert the blade screws through the blade kit and blade then secure the blade to the motor by tightening the 2 screws.

14. Repeat this process to install the other blades to the motor.

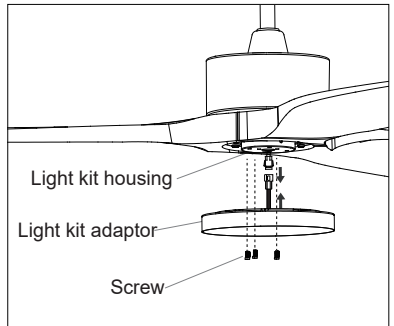


15. Finally install the bottom cover to the light kit housing by rotating it clockwise. (Models without lights)

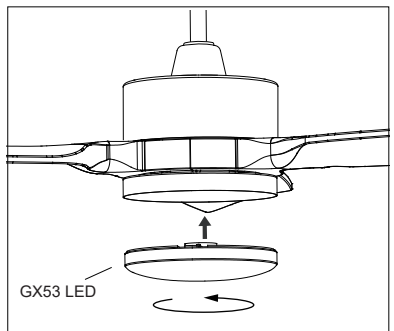


Models with lights

16. Install the light kit adaptor to light kit housing by tightening the 3 screws.



17. Install the GX53 LED bulb to the light kit adaptor.



MAINTENANCE

Due to fan's natural movement, connections may get loose after a period of usage. To ensure a proper and safety usage, We are highly recommended to inspect and tighten all connections every 6 months.

CLEANING

Clean your fan periodically to prolong its new appearance. Basic cleaning procedures are as follows:

1. Use only lukewarm water. Do not use detergent, corrosive or acidic solution.
2. Damp the cloth lightly. Use only soft or lint-free cloth to clean the fan. Rough fabric will scratches the surface.
3. Apply a thin coat of furniture polish to the wooden blades will protect and enhance the appearance.
4. To cover small scratches, apply a light coat of shoe polish over it.
5. There is no need to lubricant the fan.

TROUBLESHOOTING

Check on the following before lodging a service report.

SYMPTOM	PROBLEM	SOLUTION
Fan not moving	<ul style="list-style-type: none">• Main cables not connected• Wire connection loose	<ul style="list-style-type: none">• Check main and branch circuit breakers or fuse.• Check the line wires connections to the fan and switch housing.
Fan noisy	<ul style="list-style-type: none">• Housing screws are loose• Wire and nut connections rattles against each other.• Canopy touches the ceiling.	<ul style="list-style-type: none">• Tighten all screws• Separate and store neatly the wire connections from the nut.• Check to ensure the canopy is not touching or too close to the Ceiling.
Remote control Not working	<ul style="list-style-type: none">• Remote and receiver code different• Battery not installed• Weak battery	<ul style="list-style-type: none">• Check that the codes to ensure exactly the same.• Install the remote control battery



Distributed by:
NSB HOME APPLIANCES SDN.BHD. (063213-W)
www.nsb.com.my