



# WINDY 18C

 DC MOTOR

 RF 7 SPEED

 TIMER

 BRACKET MOUNT

USER MANUAL & INSTALLATION GUIDE



# Table of Contents

What's in the Box .....	Page 2
Safety First .....	Page 3
How to Install the Mounting Plate .....	Page 4
Hanging the Fan Assembly .....	Page 4
Connecting the Wires .....	Page 5
Installing the Motor Assembly .....	Page 6
Attaching the Blades .....	Page 7
Adjusting the Fan Head .....	Page 8
Function Instruction of Transmitter .....	Page 9
Care & Cleaning .....	Page 10
Troubleshooting .....	Page 10

# What's in the Box

Check the parts list below to ensure all items are included (see Fig. 1):

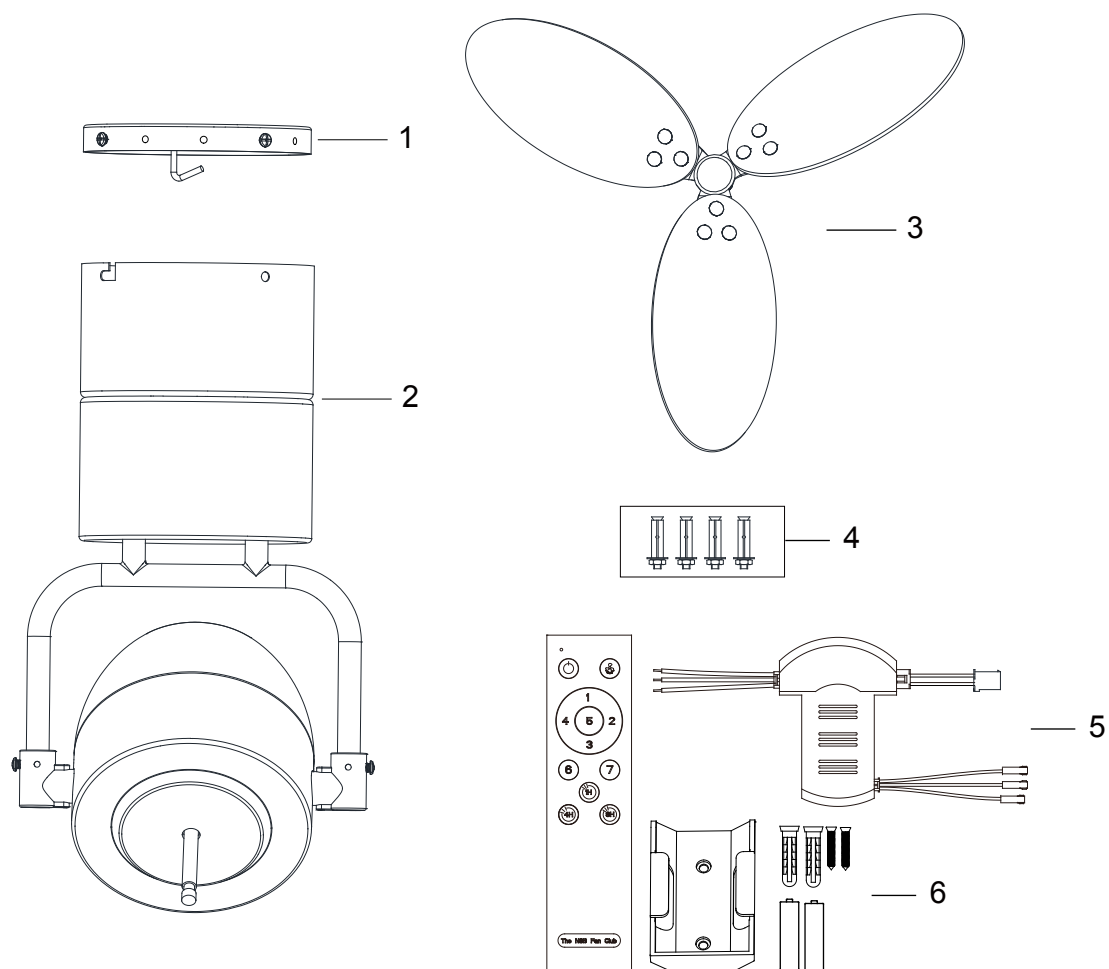


Fig.1

No.	Part	Qty
01	Mounting plate	1
02	Fan motor assembly	1
03	Fan blade assembly	1
04	Expansion bolts	4
05	Remote receiver	1
06	Remote transmitter	1 set

# Safety First – Please Read Before You Begin

- Turn off power at the circuit breaker before installation. Do not rely on the wall switch.
- Installation must be carried out by a licensed/certified electrician.
- Ceiling mounting must support at least 16 kg.
- Blades must be at least 2.3 m above the floor and 1 m away from walls or objects.
- Children must be supervised. Do not allow play near the fan or remote.
- An all-pole disconnection switch must be incorporated in the fixed wiring.
- If unusual oscillation occurs, stop using the fan immediately and contact service.

# How to Install the Mounting Plate

- 1.Ensure power is off at the main fuse box.
- 2.Fix the mounting plate to a ceiling joist or structure capable of supporting 16 kg using the expansion bolts provided.
- 3.Tighten the nuts securely.
- 4.Hang the safety cord on the J-hook to prevent accidental falls.

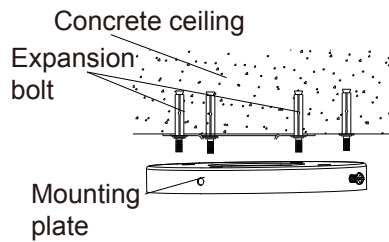


Fig.2

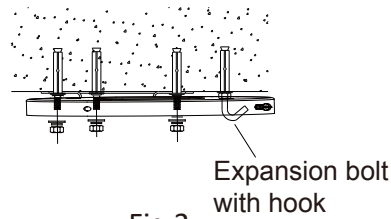


Fig.3

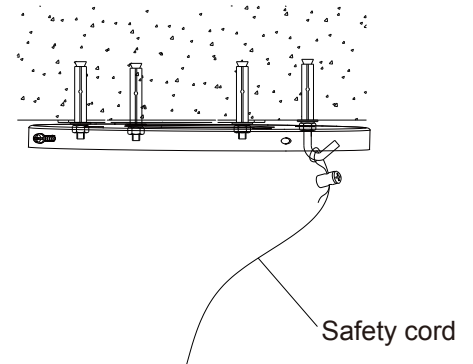


Fig.4

# Hanging the Fan Assembly

1. Lift the fan assembly up to the mounting plate.
- 2.Hang the canopy's O-slot onto the J-hook of the mounting plate (see Fig. 5).
- 3.Ensure the safety cord is properly looped.

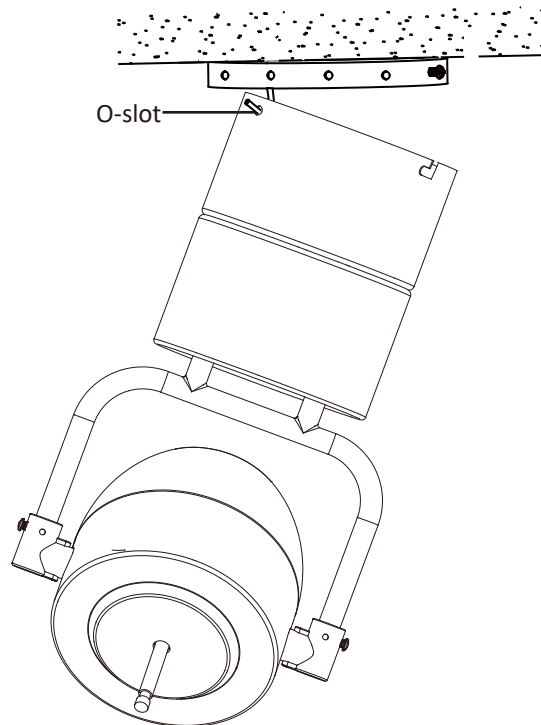


Fig.5

## Connecting the Wires

**Warning** – Only a licensed electrician may perform wiring. Connect wires as follows (see Fig. 6):

- Pink (motor) → Pink “TO MOTOR” (receiver)
- Red (motor) → Red “TO MOTOR” (receiver)
- Grey (motor) → Grey “TO MOTOR” (receiver)
- Orange (motor) → Orange “SWING MOTOR L” (receiver)
- Blue (motor) → Blue “SWING MOTOR N” (receiver)
- Brown (AC in L) → Household live wire
- Blue (AC in N) → Household neutral wire
- Yellow/Green → Household ground wire

Tuck all wires neatly inside the motor assembly.

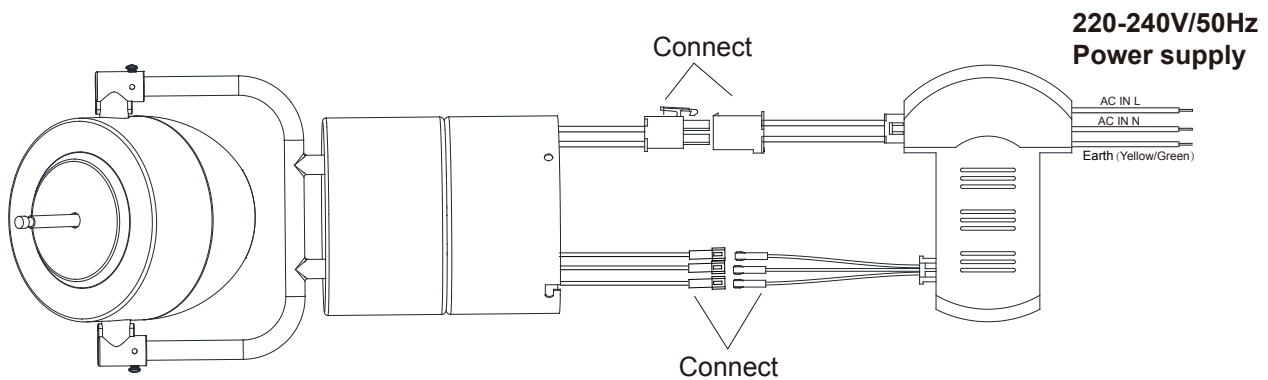


Fig.6

# Installing the Motor Assembly

1. Adjust the fan angle (A, B, or C positions).
2. Remove four screws from the mounting plate.
3. Cover the mounting plate with the motor assembly.
4. Align the canopy with the L-slot and rotate clockwise to lock.
5. Secure with O-slot screws and tighten all connections.

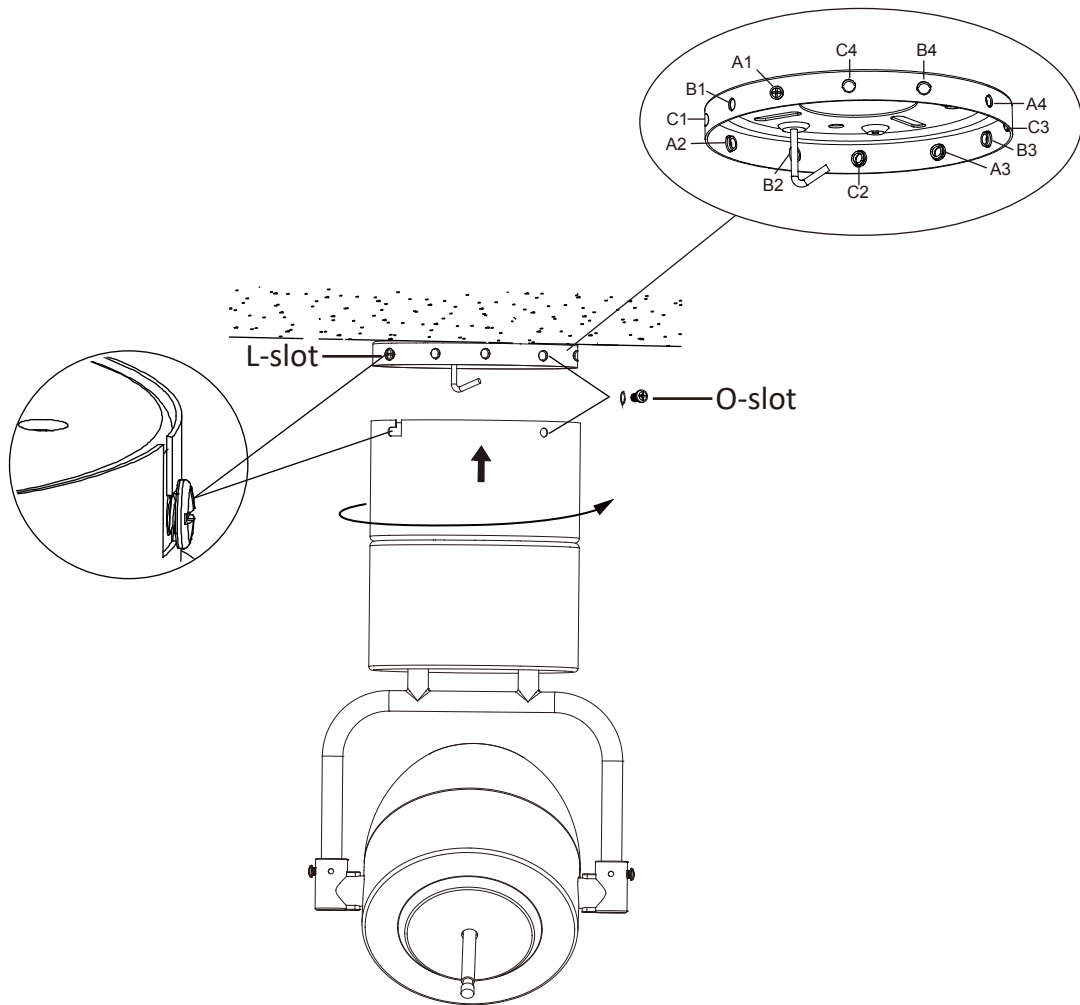


Fig.7

# Attaching the Blades

- 1.Position the blade assembly onto the motor shaft.
- 2.Tighten the two set screws firmly.

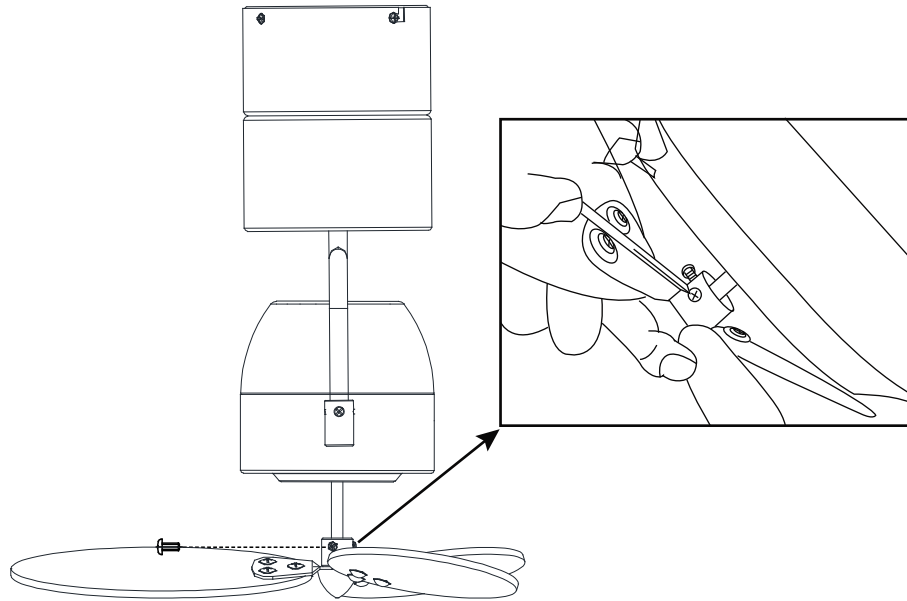
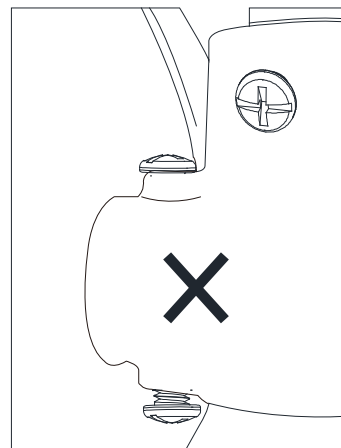
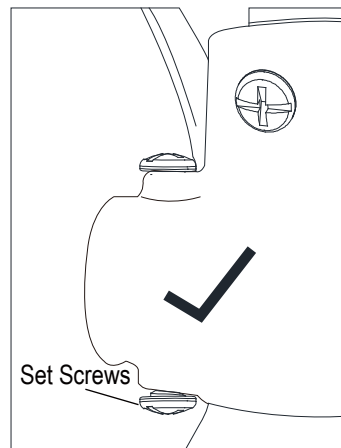
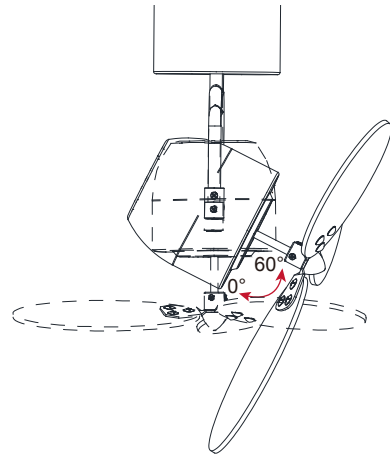
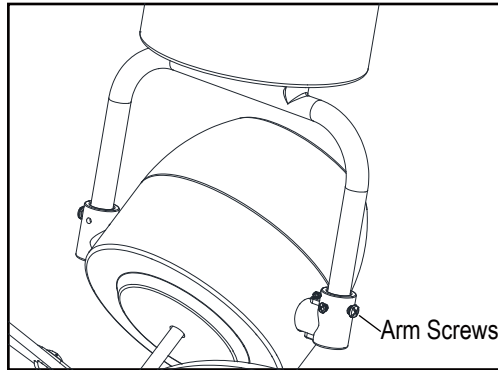


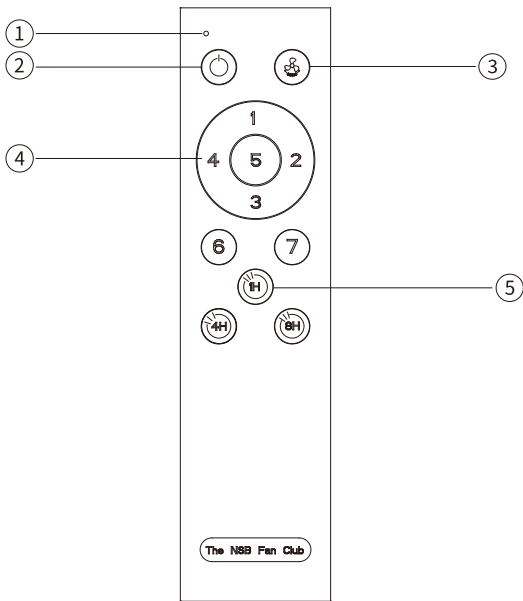
Fig.8

# Adjusting the Fan Head

1. Loosen the set screws on both sides of the motor.
2. Rotate the fan head to the desired angle (0°–60°).
3. Retighten screws securely into the slot of the chosen angle.



# Function Instruction of Transmitter




- ① LED indicated light
- ② Fan ON/OFF & pairing mode
- ③ Swing ON/OFF
- ④ Speed of the fan(1 Low speed~7 high speed)
- ⑤ Timing control of the fan

## KINDLY REMINDERS:

1. When the transmitter cannot control the receiver, please check the battery switch touching normally or not, correction of the positive and negative, full or empty of the power.
  2. When the transmitter cannot control the receiver, please check is there any existence of similar remote controlled products nearby, then check whether they works, because remote controlled product with the same frequency will disturb each other.
  3. Low voltage of battery will affect the sensitivity of the transmitter and the signal reception accordingly (the indicated light will be dimmed when the battery get low voltage) ,must replace if the battery is getting low voltage .
  4. Please take out the battery from the transmitter when leaving unused for long time.
  - 5.The maximum load of lighting see the above"POWER PARAMETER LIST"
- PS: Please connect the ground wire correctly,otherwise it may cause the light micro-light or flash
6. When installing the fan,the fan ceiling cover don't press the antenna(or other wire) , it is easy to breakdown the wire and short-circuited.

## Pairing Instructions

Learning code matching mode is used between transmitter and receiver. Turn "ON" the supply power within 30 seconds and press the transmitter's "  " button for 5 seconds , it can load normally after hearing a long sound "beep", which means learning successfully and it can works normally. (PS: Learning mode is not accepted after turn "ON"the supply power for 30 seconds).

## Care & Cleaning

- Every 6 months, check and tighten all screws and connections.
- Clean with lukewarm water and a soft, lint-free cloth.
- Avoid detergents or abrasive fabrics.
- Wooden blades: apply a thin coat of furniture polish.
- Small scratches: cover with shoe polish.
- Do not lubricate the motor.

## Troubleshooting

Problem	Possible Cause	Solution
Fan does not run	Power off / Loose wiring	Check breaker, tighten connections
Fan is noisy	Loose screws / Wires rattling / Canopy touching ceiling	Tighten screws, separate wires, adjust canopy
Remote not working	Code mismatch / No battery / Weak battery	Pair remote, install battery, replace battery



**NSB**  
CARELINE  
[www.nsb.com.my](http://www.nsb.com.my)