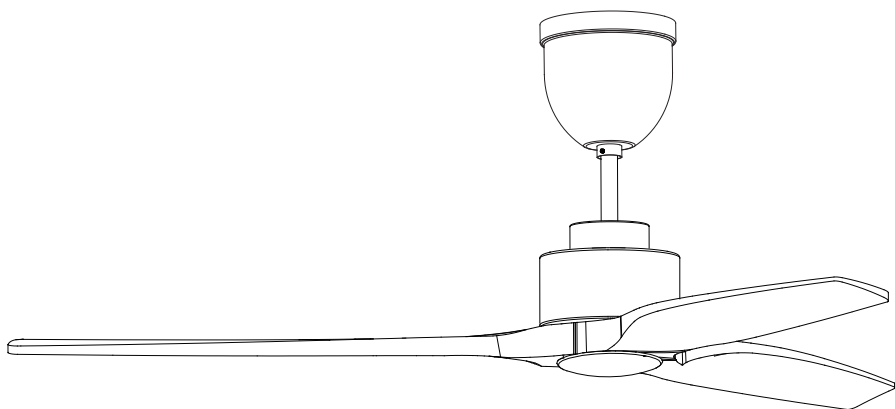


INSTRUCTION MANUAL

CEILING FAN



OVIO

DC MOTOR | PAULOWNIA WOOD

SAFETY PRECAUTION

IMPORTANT: PLEASE READ BEFORE INSTALLATION

1. Installation must be carried out by a qualified wiring installer
2. Turn off the electrical mains at the circuit breaker fuse box
3. Use power supply 220-240V/50Hz.
4. The ceiling mounting must be able to with hold a min of 21.2kg.
5. Install ceiling fan blade more than 2.3 M above floor.
6. Do not place any objects in the path of the blades.
7. When all electrical connection is done, store all wire neatly.
8. Make sure that all screws and connection are tightly screwed and secured.
9. This appliance is not intended for use by persons (including children) with Reduced physical, sensory or mental capabilities, or lack of experience and knowledge, unless they have been given supervision or instruction concerning use of the appliance by a person responsible for their safety. Children should be supervised to ensure that they do not play with the appliance.
10. This appliance can be used by children aged from 8 years and above and persons with reduced physical, sensory or mental capabilities or lack of experience and knowledge if they have been given supervision or instruction concerning use of the appliance in a safe way and understand the hazards involved. Children shall not play with the appliance. Cleaning and user maintenance shall not be made by children without supervision.
11. An all - pole disconnection must be incorporated in the fixed wiring in accordance with the wiring rules, a all - pole disconnection incorporated in the fixed wiring is to be provided.
12. The replacement of parts of the safety suspension system device shall be performed by the manufacturer, its service agent or suitably qualified persons.
13. The fixing means for attachment to the ceiling such as hooks or other devices shall be fixed with a sufficient strength to withstand 4 times the weight of the ceiling fan.
14. The mounting of the suspension system shall be performed by the manufacturer, its service agent or suitably qualified persons.
15. Disconnection must be incorporated in the fixed wiring in accordance with the wiring rules

WARNING: If unusual oscillating movement is observed, immediately stop using the ceiling fan and contact the manufacturer, its service agent or suitably qualified persons.

OVIO+60 : The weight of the appliance in kilograms: 5.0kg

PARTS & ACCESSORIES

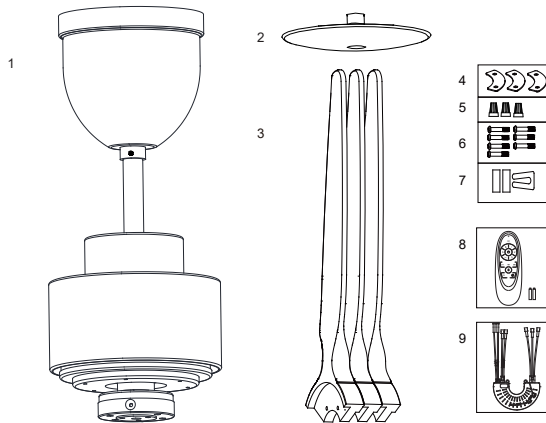
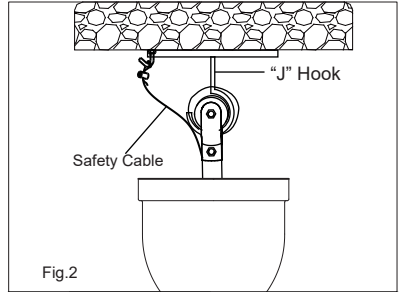


Fig.1

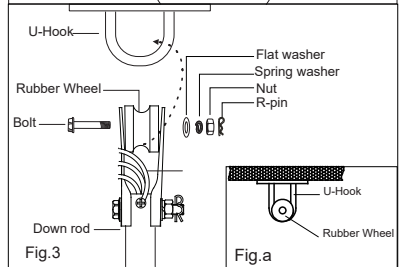
1	Fan motor assembly	× 1	6	Blade screws	× 7
2	Bottom cover	× 1	7	Balancing kits	× 1set
3	Blades	× 3	8	Remote controller	× 1
4	Blade kits	× 3	9	Receiver	× 1
5	Nut	× 3			

INSTALL THE HOOK

1) "U" Hook mounted, Lift the fan onto the mounted hook,until the hanging wheel seat on the mounted J hook .(Fig.2)

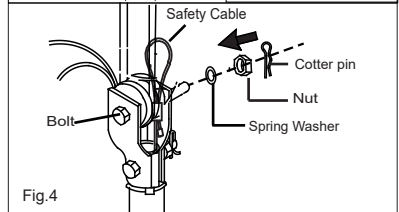


2) "U" Hook mounted, Remove the bolt, stop pin, nut, washer and rubber pulley from the downrod. (Fig.3)



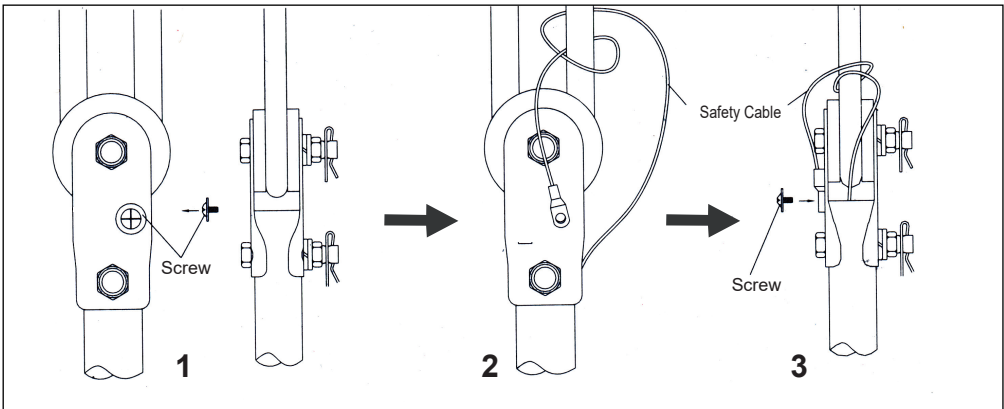
3) Place the pulley onto the Hook.(Fig.a)

4) Lift the motor until the bracket hole of the downrod aligning the pulley hole.Tighten the downrod to the pulley with the previous bolt、washer、nut and conter pin.(Fig.4)



5) Remove the safety Cable Screw from the downrod bracket.
 6) Arrange and tie the Safety Cable as step 2.
 7) Firmly screw the Safety Cable onto the downrod.

WARNING
 Safety Cable must be fixed correctly.
 May cause injury if ceiling fan drops.



ELECTRICAL CONNECTION

- 1) Before installing the fan turn off the power supply.
- 2) With the two pieces of lead wires from the screw pack, connect the wire to the fan.
- 3) All electrical connections must be in accordance with local and national electrical code standards. If you are unfamiliar with proper electrical wiring connections obtain the services of a qualified electrician.

Refer wiring diagram below

RED (AC IN L)----- LIVE WIRE
BLACK (AC IN N)----- NEUTRAL WIRE
YELLOW GREEN ----- GROUND WIRE

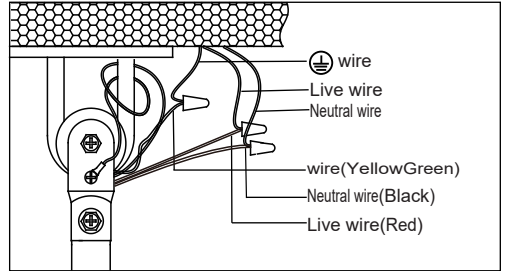


Fig.5

Installation of top canopy

- 4) After securing all wires (including safety cable), place them neatly in the top canopy and slide the top canopy until it reaches the ceiling. Lock it in position by tightening the screw on the top canopy.

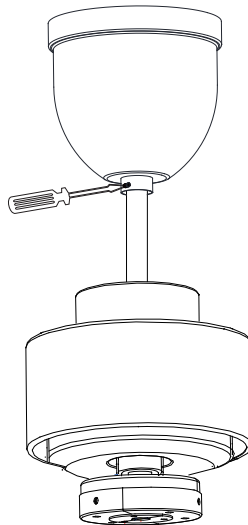


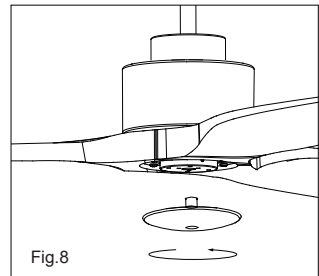
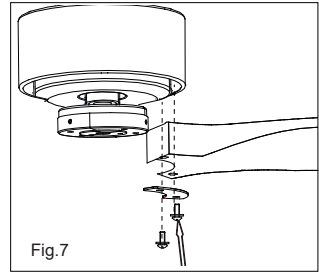
Fig.6

BLADE INSTALLTION

1.Insert the blade screws through the blade kit and blade then secure the blade to themotor by tightening the 2 screws.

2.Repeat this process to install the other blades to the motor.

3.Finally install the bottom cover to the light kit housing by rotating it clockwise. (Models without lights)



USEING YOUR REMOTE CONTROL

Installation:

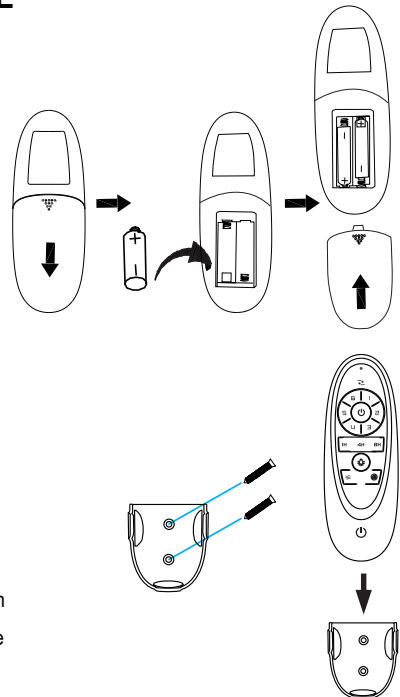
- 1) Loosen the battery cover from the Transmitter.
- 2) Install the battery into the Transmitter.
- 3) Install the battery cover back onto the Transmitter.
- 4) Install the Transmitter holder on wall with the 2 screws provided.
- 5) Install the Transmitter into the Transmitter holder.

Take out the battery:

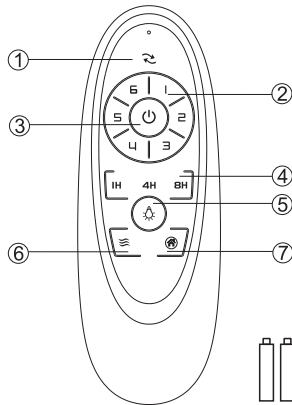
- 1) Loosen the battery cover and then take out the battery .

Note:

- 1)RF Transmitter pack included 2 pieces of 1.5 (AAA)battery.
- 2)All RF transmitter had been pre-paired during production from factory.Please follow the RFparing procedure as below if the ceiling fan could not operate.



FUNCTION INSTRUCTION OF EMITTER



① Direction of the fan (reverse switch)

② Speed of the fan

③ ON/OFF the fan

④ Timing control of the fan

⑤ ON/OFF the light

Note:If the model without light ,this button has no function

⑥ Natural wind

(The fan speed automatic cycle between 1 to 6 speed)

⑦ Anti-theft function

(the light ON 5~20 minutes every 2 hours)

Note:If the model without light ,this button has no function

⑧ 1.5V AAA battery X 2 pcs

KINDLY REMINDERS:

1. If the emitter can not control the fan, learning code matching mode is used between emitter and receiver.
Turn "ON" the supply power within 30 seconds and press the emitter's "⏻" button for 5 seconds, it can load normally after hearing a long sound "bee", which means learning successfully and it can works normally.
(PS: Learning mode is not accepted after turn "ON" the supply power for 30 seconds)
2. When the emitter cannot control the receiver, please check the battery switch touching normally or not, correction of the positive and negative, full or empty of the power.
3. When the emitter cannot control the receiver, please check is there any existence of similar remote controlled products nearby, then check whether they works, because remote controlled product with the same frequency will disturb each other.
4. Low voltage of battery will affect the sensitivity of the emitter and the signal reception accordingly (the indicated light will flash out its warning when the battery get low voltage), must replace if the battery is getting low voltage.
5. Please take out the battery from the emitter when leaving unused for long time.
6. The maximum load of lighting see the above "POWER PARAMETER LIST"
PS: please connect the ground wire correctly, otherwise it may cause the light micro-light or flash
7. **When installing the fan, the fan ceiling cover don't press the antenna (or other wire), it is easy to breakdown the wire and short-circuited.**

MAINTENANCE AND PRECAUTIONS:

- Correct battery type: AAA 1.5V battery X 2PCS.
- Batteries should be inserted in the correct polarity.
- Do not charge non-rechargeable batteries.
- The supply terminals are not to be short-circuited
- Do not mix different types of batteries or old and new batteries.
- Used batteries must be removed from the device and disposed of safely.
- If the device is left unused for a long period of time, the batteries should be removed.

MAINTENANCE

Due to fan's natural movement, connections may get loose after a period of usage. To ensure a proper and safety usage, We are highly recommended to inspect and tighten all connections every 6 months.

CLEANING

Clean your fan periodically to prolong its new appearance. Basic cleaning procedures are as follows:

1. Use only lukewarm water. Do not use detergent, corrosive or acidic solution.
2. Damp the cloth lightly. Use only soft or lint-free cloth to clean the fan. Rough fabric will scratches the surface.
3. Apply a thin coat of furniture polish to the wooden blades will protect and enhance the appearance.
4. To cover small scratches, apply a light coat of shoe polish over it.
5. There is no need to lubricant the fan.

TROUBLESHOOTING

Check on the following before lodging a service report.

SYMPTOM	PROBLEM	SOLUTION
Fan not moving	<ul style="list-style-type: none">• Main cables not connected• Wire connection loose	<ul style="list-style-type: none">• Check main and branch circuit breakers or fuse.• Check the line wires connections to the fan and switch housing.
Fan noisy	<ul style="list-style-type: none">• Housing screws are loose• Wire and nut connections rattles against each other.• Canopy touches the ceiling.	<ul style="list-style-type: none">• Tighten all screws• Separate and store neatly the wire connections from the nut.• Check to ensure the canopy is not touching or too close to the Ceiling.
Remote control Not working	<ul style="list-style-type: none">• Remote and receiver code different• Battery not installed• Weak battery	<ul style="list-style-type: none">• Check that the codes to ensure exactly the same.• Install the remote control battery