

DH-IPC-HFW8331E-Z

3MP WDR IR Bullet Network Camera



- 1/2.8" 3Megapixel progressive scan STARVIS™ CMOS
- H.265&H.264 triple-stream encoding
- 50/60fps@3M(2048x1536)
- WDR(140dB), Day/Night(ICR), 3DNR,AWB,AGC,BLC
- Multiple network monitoring: Web viewer, CMS(DSS/PSS) & DMSS
- 2.7mm ~13.5mm motorized lens
- Max. IR LEDs Length 50m
- Micro SD memory,IP67,IK10,PoE+

System Overview

Ultra series product adopts high performance DSP and Sony advanced image sensor technology, which can provide excellent image effects for users such as UHD resolution, starlight and super WDR etc. The series utilizes Dahua advanced software algorithm, which is able to support people counting and heat map, bringing extra business analysis value for customers; IP67, IK10 and heater compliance enables the product to be applied in a more harsh environment.

Functions

Starlight Technology

Featuring Dahua's Starlight Technology, this camera is ideal for applications with challenging lighting conditions. Its low-light performance delivers usable video with minimal ambient light. Even in extreme low-light conditions, Starlight Technology is capable of delivering color images in near complete darkness (0.005 lux).

Ultra WDR

Standard WDR/HDR camera can provide 120dB dynamic range, However, for some scenes with wider contrast range, 120dB is slightly insufficient. By adopting the latest technology, Dahua Cameras can provide an amazing dynamic range up to 140dB.

Intelligent Video System (IVS)

Dahua camera has a built-in video analysis based on intelligent algorithms and can achieve the following: Tripwire, Intrusion, Abandoned/ Missing can timely, quickly and accurately respond to monitoring events in specific area. It enhances monitoring efficiency. At the same time, the camera can support face detection, it can quickly capture a face and upload the image to the server. In addition the camera also supports intelligent tamper detection, through dramatic changes in the scene it will send out warning information to ensure effective monitoring.

Business intelligent analysis (People counting, Heatmap)

Dahua Camera also supports more advanced intelligent features such as people counting and heat map besides basic IVS functions. These two



functions can be applied to business intelligence and bring extra values to customers. It is available to acquire daily, weekly, monthly and yearly people flow via people counting and output data report. Heat map can be based on a moving object in time of space movement for analysis, find the most active area and output the report, which is to provide valuable data support for commercial applications.

Smart Scene Adaptive (SSA)

Smart Scene Adaptive (SSA) is a Dahua self-developed intelligent image technology, the camera automatically evaluates the change in scene, in particular strong lights. In a strong backlight environment, it will automatically regulate exposure parameters to get better image quality. This can effectively address the impact of traffic lights, providing excellent video quality.

HEVC (H.265)

H.265 ITU-T VCEG is a new video coding standard. H.265 Following standard developed around the existing video coding standard H.264, some retain the original technology, while some of the relevant technology to improve the new technology uses advanced technology to improve the relationship between the code stream, encoding quality, and the delay between algorithm complexity, optimize settings specific contents include: Improve compression efficiency, improve the robustness and error recovery capabilities, real-time to reduce the delay, reduce channel acquisition time and a random access delay, reduce complexity, etc

Environmental

With a temperature range of -40 °C to +60 °C (-40 °F to +140 °F), the camera is designed for extreme temperature environments. The camera complies to an IK10 impact rating making it capable of withstanding the equivalent of 55 kg (120 lbs) of force. Subjected and certified to rigorous dust and water immersion tests, the IP67 rating makes it suitable for demanding outdoor applications.

Technical Specification						
Camera						
Image Sensor	1/2.8"3Megapixel progressive scan CMOS					
Effective Pixels	2048(H)x1536(V)					
RAM/ROM	1024MB/128MB					
Scanning System	Progressive					
Electronic Shutter Speed	Auto/Manual, 1/3~1/100000s					
Minimum Illumination	0.005Lux/F1.4 (Color,1/3s,30IRE) 0.03Lux/F1.4 (Color,1/30s,30IRE) 0Lux/F1.4(IR on)					
S/N Ratio	More than 50dB					
IR Distance	Distance up to 50m(164ft)					
IR On/Off Control	Auto/ Manual					
IR LEDs	4					
Lens						
Lens Type	Motorized /Auto Iris(HALL)					
Mount Type	Board-in					
Focal Length	2.7~13.5mm motorized					
Max. Aperture	F1.4					
Angle of View	H: 101°~31°, V:54°~17°					
Optical Zoom	5x					
Focus Control	Motorized					
Close Focus Distance	0.3m(0.98ft)					
DORI Distance	Lens	Detect	Observe	Recognize	Identify	
	W	54m(177ft)	22m(72ft)	11m(36ft)	5m(16ft)	
	T	166m(545ft)	66m(217ft)	33m(108ft)	17m(56ft)	
Pan/Tilt/Rotation						
Pan/Tilt/Rotation Range	Pan:0°~360°; Tilt:0°~90°; Rotation:0°~360°					
Intelligence						
IVS	Tripwire, Intrusion, Object Abandoned/Missing					
Advanced Intelligent Functions	Face Detection, People Counting, Heat Map					
Video						
Compression	H.265+/H.265/H.264+/H.264					
Streaming Capability	3 Streams					
Resolution	3M(2048x1536)/ 1080P(1920x1080)/ 1.3M(1280x960)/ 720P(1280x720)/ D1(704x576/704x480)/ VGA(640x480)/ CIF(352x288/342x240)					
Frame Rate	Main Stream: 3M(1~50/60fps)					
	Sub Stream: D1 (1 ~ 50/60fps)					
	Third Stream: 1080P(1~50/60fps)					
Bit Rate Control	CBR/VBR					
Bit Rate	H.264: 24~ 10240Kbps H.265: 14~ 9216Kbps					
Day/Night	Auto(ICR) / Color / B/W					
BLC Mode	BLC / HLC / WDR(140dB)/ SSA					
White Balance	Auto/Natural/Street Lamp/Outdoor/Manual					
Gain Control	Auto/Manual					
Noise Reduction	3D DNR					
Motion Detetion	Off / On (4 Zone, Rectangle)					
Region of Interest	Off / On (4 Zone)					
Electronic Image Stabilization (EIS)	Support					
Smart IR	Support					
Defog	Support					
Digital Zoom	16x					
Flip	0°/90°/180°/270°					
Mirror	Off / On					
Privacy Masking	Off / On (4 Area, Rectangle)					
Audio						
Compression	G.711a/G.711Mu/AAC/G.726					
Network						
Ethernet	RJ-45 (100/1000Base-T)					
Protocol	HTTP;HTTPS;TCP;ARP;RTSP;RTP;UDP;SMTP;FTP; DHCP;DNS;DDNS;PPPOE;IPv4/v6;QoS;UPnP;NTP; Bonjour;802.1x;Multicast;ICMP;IGMP;SNMP					
Interoperability	ONVIF, PSIA, CGI					
Streaming Method	Unicast / Multicast					
Max. User Access	10 Users/20 Users					
Edge Storage	NAS Local PC for instant recording Mirco SD card 128GB					
Web Viewer	IE, Chrome, Firefox, Safari					
Management Software	Smart PSS, DSS, Easy4ip					
Smart Phone	IOS, Android					
Certifications						
Certifications	CE (EN 60950:2000) UL:UL60950-1 FCC: FCC Part 15 Subpart B					
Interface						
Video Interface	1 Port(For adjustment only)					
Audio Interface	1/1 channel In/Out					
RS485	N/A					
Alarm	2 channel In: 5mA 5VDC 1 channel Out: 1A 30VDC / 0.5A 50VAC					
Electrical						
Power Supply	DC12V, PoE+ (802.3at)(Class 4)					
Power Consumption	<13W					

Environmental

Operating Conditions	-40° C ~ +60° C (-40° F ~ +140° F) / Less than 95% RH
Storage Conditions	-40° C ~ +60° C (-40° F ~ +140° F) / Less than 95% RH
Ingress Protection	IP67
Vandal Resistance	IK10

Construction

Casing	Metal
Dimensions	273.2mm×95.0mm×96.4mm (10.76"×3.74"×3.79")
Net Weight	1.12Kg (2.47lb)
Gross Weight	1.52Kg (3.35lb)

Ordering Information

Type	Part Number	Description
3MP camera	DH-IPC-HFW8331EP-Z	3MP WDR IR Bullet Network Camera,PAL
	DH-IPC-HFW8331EN-Z	3MP WDR IR Bullet Network Camera,NTSC
	IPC-HFW8331EP-Z	3MP WDR IR Bullet Network Camera,PAL
	IPC-HFW8331EN-Z	3MP WDR IR Bullet Network Camera,NTSC
Accessories (optional)	PFA121	Junction box
	PFA152	Pole Mount

Accessories

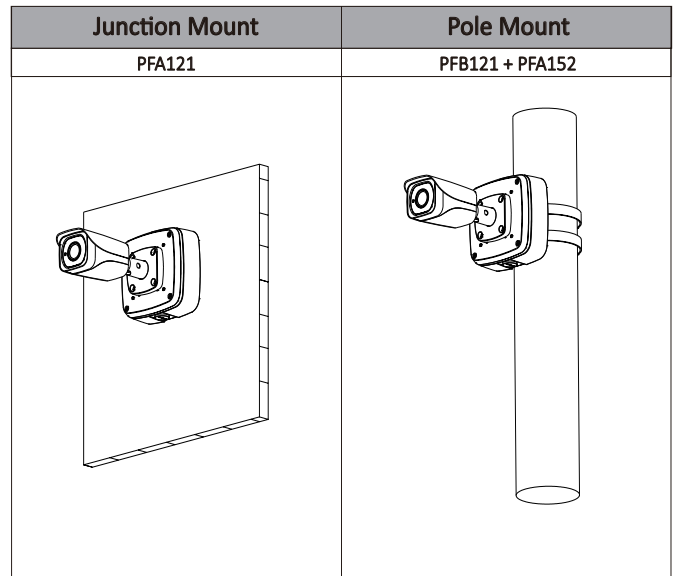
Optional:



PFA121
Junction box



PFA152
Pole mount



Dimensions (mm/inch)

