

DH-OTE103

Ethernet Optical Transceiver



DH-OTE103T (Transmitter)



DH-OTE103R (Receiver)

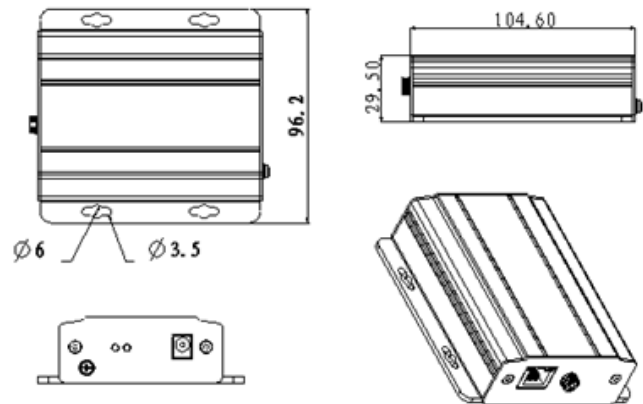
Features

- 1-ch 10/100M Ethernet transmission on single-mode fiber
- IEEE802.3U, IEEE802.3X standards
- 10/100Mbps self-adaptive network signal transmission
- Full/ Half work
- UPnP, easy installation, industrial-level design
- Optical fiber default distance is 20km
- LED status indicator displays working status of transceiver
- Wide-range temperature application: -40°C ~75°C

Technical Specification

Model	DH-OTE103T/R
Optical Index	
Physical Port	FC port, Single-mode fiber
Transmission Distance	0-20km
Input/ Output Wave Length	Transmitter(OTE103T): 1310nm transmit 1550nm receive Receiver(OTE103R): 1550nm transmit 1310nm receive
Network Index	
Physical Port	RJ45; 10/100M self-adaptive Ethernet
Network Standard	IEEE802.3U, IEEE802.3X standards
Other	
Indicator	Light linker indicator, power indicator
Power	DC12V 1A
Power Consumption	≤3.5W
Temperature	-40°C ~75°C
Humidity	10%~90% RH
Unit Weight	200g
Dimension	104.6mm×96.2mm×29.5mm
Installation	Wall mount

Dimensions (mm)



Application

