

DH-PFM881-L

Outdoor 5G Wireless Transmission Device ($\leq 1.5\text{km}$)



Features

- Adopts high performance 802.11n 2X2 MIMO chipset, which can realize maximum 300Mbps in theory
- Wireless coverage recommended range $\leq 1.5\text{km}$
- Supports multiple operation modes: Access Point, Station, WDS AP, WDS Station and WDS Repeater
- Supports “Back to back” connection, which satisfies the demand of wireless transmission in complicated outdoor environment
- Point-to-Point wireless transmission
- TDMA technology ensures that AP maximum uses its bandwidth
- Supports management by web, Access Controller and SNMP

Specifications

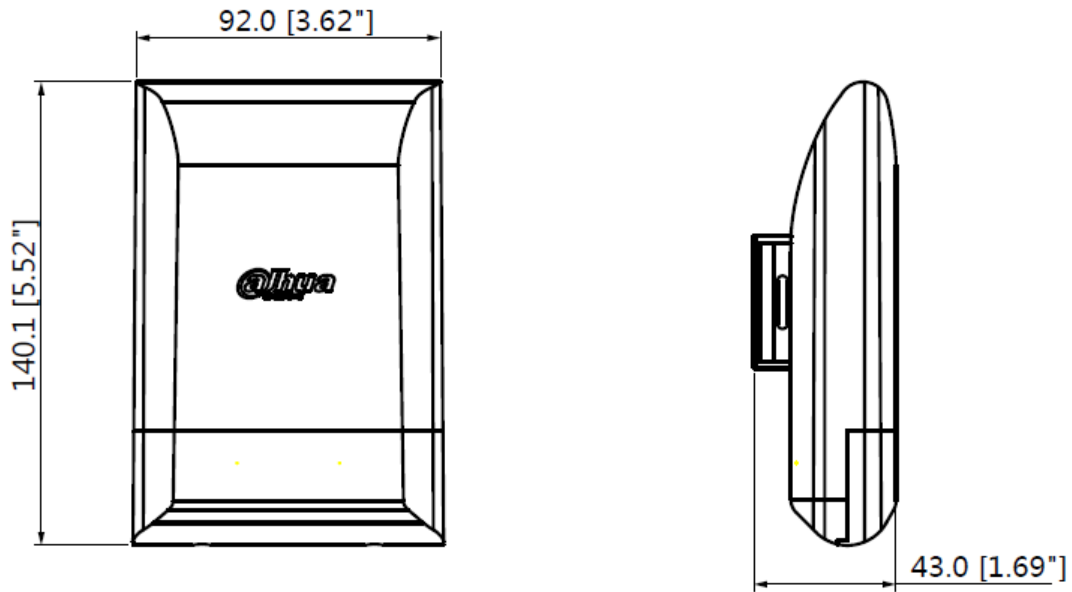
Model	DH-PFM881-L
Wireless Features	
Wireless Standard	IEEE802.11 a/n
Working Frequency	5745~5825 MHz (extended range: 4920~6100MHz)
Wireless Speed	300Mbps
Modulation Mode	OFDM
Antenna	12dBi
Output Power	24dBm
Receiving Sensitivity	11a: 6Mbps -91 dBm 54 Mbps -72dBm

DH-PFM881-L

	36 Mbps -78 dBm 11n: MCS0 -85 dBm MCS4 -73 dBm MCS7 -67 dBm
Transmission Distance	1.5km
Wireless Direction Angle	horizontal 35° , vertical 35°
Hardware	
Power	1*PoE RJ45 (passive PoE 24V), 1*LAN RJ45(100Mbps)
Power Consumption	≤8W
Ethernet Port	2× 10/100M Base-TX (Cat. 5/5E, RJ-45)
Indicator Light	Power, LAN, WLAN, 3xLink Quality
Working Temperature	-30℃ ~ +70℃
Storage Temperature	-30℃ ~ +80℃
Working Humidity	5% ~ 95%RH(no condensation)
Equipment Dimension	140× 92× 31.8 (mm)
Equipment Weight	0.6Kg
Software	
Encryption Type	802.1x/WPA-PSK/WPA2-PSK
Network Mode	Route/Network Bridge
Working Mode	Access Point/Client/WDS AP/WDS client/WDS Repeater
Security Mechanism	IP/MAC address filtering, hide network name
Network Protocol	TCP/UDP/ARP/ICMP/DHCP/HTTP/NTP
TDMA Enhancement	Support
Auto ACK Timing Adjustment	Support
Management and Log	NTP, Syslog, Telnet, AC, SNMP
Webpage Configuration Management	Web, Access Controller, SNMP
Firmware Update	Web, Access Controller
Bandwidth Flexible Configuration	5M/10M/20M/40MHz

Dimensions (mm)

DH-PFM881-L



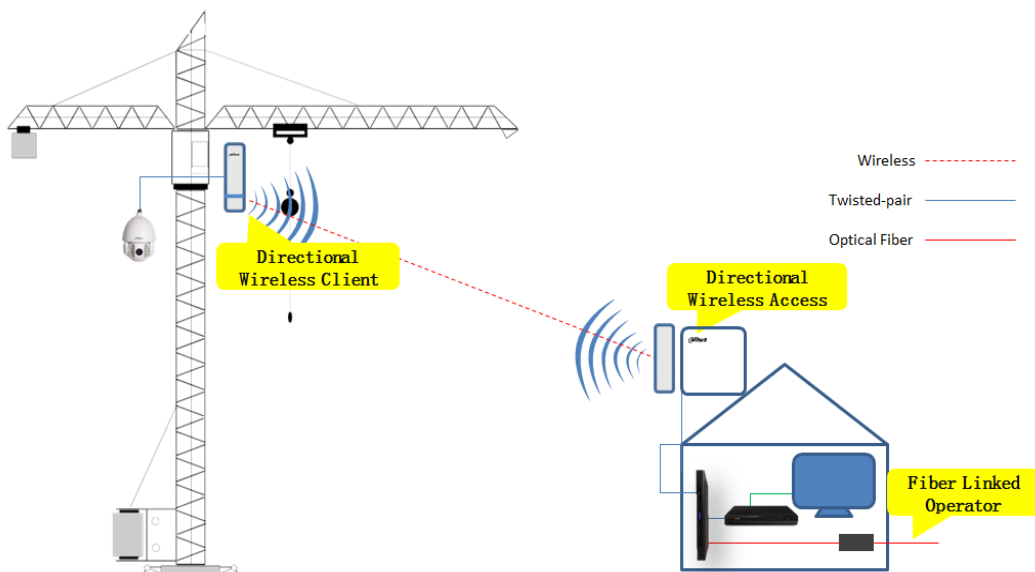
Application Scenarios

1. Safe towns, safe construction sites, safe scenic area and wireless HD video monitoring of the bus stations, etc.
2. Playground, ranch, uptown crossroad, orchard, park and other no blocking scenarios.

Networking Mode

1. Point-to-Point Networking

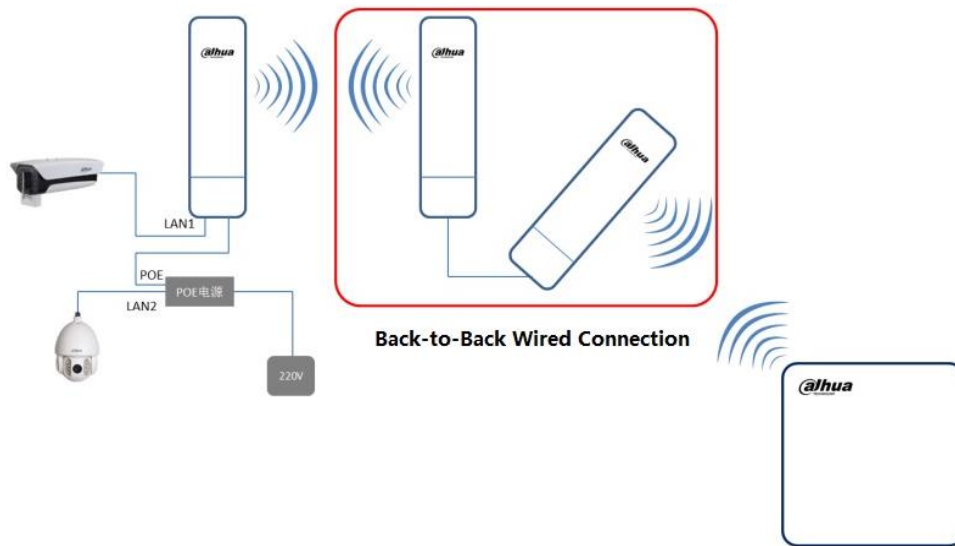
For point-to-point communication, generally a PFM881-L is set as access point, and another PFM881-L is set as client, as demonstrated below.



DH-PFM881-L

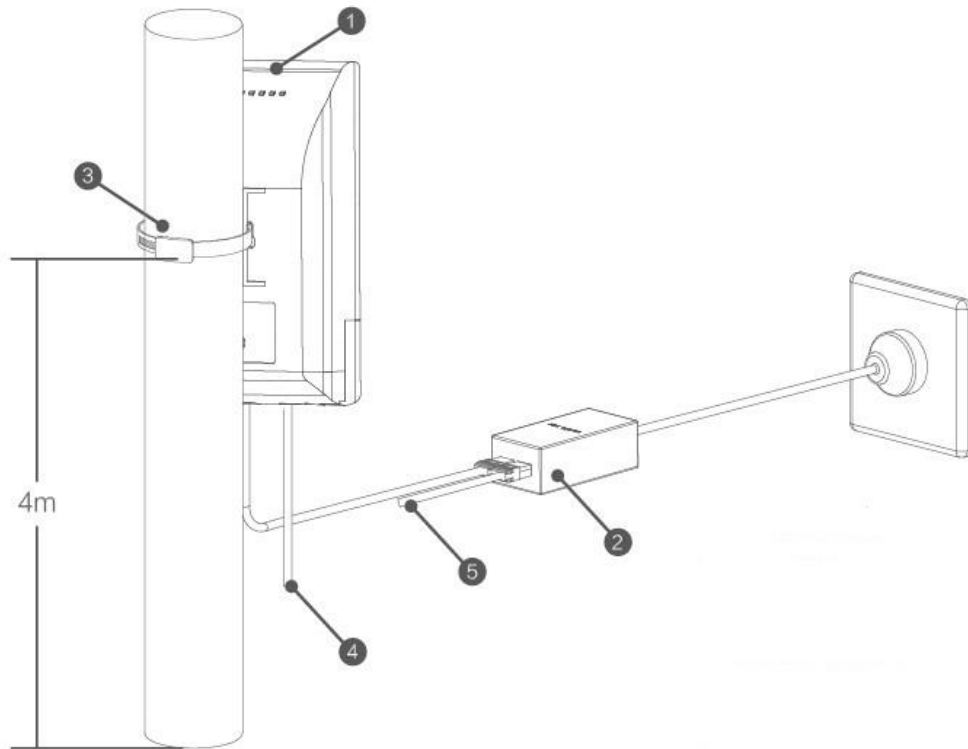
2. Back-to-Back Angle Adjustment Network

For wireless coverage blind angle, cable connection for double devices is recommended, which can solve the problem of angle by adjusting two directions respectively; the back-to-back connection for double devices can also be applied to long-distance repeater, as demonstrated below.



Connection Mode

DH-PFM881-L



1. Wireless transmission device
2. PoE adapter
3. Metal hoops for installing the equipment
4. Network interface of DH-PFM881-L. Used for connecting the cameras
5. Network interface of PoE power supply. Used for connecting PC/camera

Dahua Technology Co., Ltd.

1199 BinAn Road, Binjiang District, Hangzhou, China

Tel: +86-571-87688883

Fax: +86-571-87688815

Email: overseas@dahuatech.com

www.dahuasecurity.com

*Design and specifications are subject to change without notice.

© 2016 Dahua Technology Co., Ltd.