


DS-2XE6242F-IS/316L(B)

4 MP Explosion-Proof Network Bullet Camera



- Explosion-proof design: the camera has passed international ATEX & IECEx certifications, and can be used in gas and dust hazardous scenarios
- 316L stainless steel enclosure, protecting the camera from damage caused by sparks or corrosive materials
- IP68/IK08 water resistant and vandal proof, preventing water ingress for outdoor use
- H.265+/H.265/H.264+/H.264 encoding: efficient compression technology saves storage space and reduces bandwidth requirements
- 100 VAC to 240 VAC wide range power supply: easy to deploy cables and safer compared to a power adapter solution

ATEX:  II 2G Ex db IIC T6 Gb /II 2D Ex tb IIIC T80°C DB IP68
IECEx: Ex db IIC T6 Gb/Ex tb IIIC T80°C Db IP68



▪ Specification

Camera	
Image Sensor	1/3" Progressive Scan CMOS
Min. Illumination	Color: 0.01 lux @ (F1.2, AGC ON); B/W: 0.001 lux @ (F1.2, AGC ON), 0 Lux with IR on
Shutter Speed	1 s to 1/100,000 s
DNR	3D DNR
WDR	120 dB
Day & Night	IR cut filter
Lens	4 mm, 6 mm, 8 mm, 12 mm
Lens Mount	M12
Lens	
FOV	4 mm, horizontal field of view: 91° 6 mm, horizontal field of view: 60° 8 mm, horizontal field of view: 41.5° 12 mm, horizontal field of view: 26.6°
Image	
Image Enhancement	BLC/3D DNR
Target Cropping	Support
Day/Night Switch	Auto/Schedule/Triggered by Alarm In
Picture Overlay	LOGO picture can be overlaid on video with 128 × 128 24bit bmp format
Image Settings	Support rotate mode, saturation, brightness, contrast, etc., adjustable by client software or web browser
Sub-Stream	50Hz: 25fps (704 × 576, 640 × 480, 352 × 288, 320 × 240) 60Hz: 30fps (704 × 480, 640 × 480, 352 × 240, 320 × 240)
ROI (Region of Interest)	Support 4 customized regions for each stream, and face dynamic tracking
Max. Resolution	2560 × 1440
Main Stream	50Hz: 25fps (2560 × 1440, 1920 × 1080, 1280 × 960, 1280 × 720) 60Hz: 24fps (2560 × 1440, 1920 × 1080, 1280 × 960, 1280 × 720)
Third Stream	50Hz: 1fps (1920 × 1080, 1280 × 960, 1280 × 720, 704 × 576, 640 × 480, 352 × 288, 320 × 240) 60Hz: 1fps (1920 × 1080, 1280 × 960, 1280 × 720, 704 × 480, 640 × 480, 352 × 240, 320 × 240)
Network	
Alarm Trigger	Motion detection, video tampering alarm, exception (network disconnected, IP address conflict, illegal login, HDD full, HDD error)
Network Storage	Support microSD/SDHC/SDXC card (up to 128 GB) local storage and NAS (NFS, SMB/CIFS), ANR
Protocols	TCP/IP, ICMP, HTTP, HTTPS, FTP, DHCP, DNS, DDNS, RTP, RTSP, RTCP
Standard	ONVIF (PROFILE S, PROFILE G), PSIA, CGI, ISAPI
General Function	Mirror, anti-flicker, heartbeat, watermark, password protection, privacy mask
Interface	
Communication Interface	1 RJ45 10M/100M self-adaptive Ethernet port
Alarm	2 alarm inputs, 2 alarm outputs
On-board Storage	Built-in microSD/SDHC/SDXC slot, up to 128 GB
General	
Power Consumption and Current	Max. 7 W

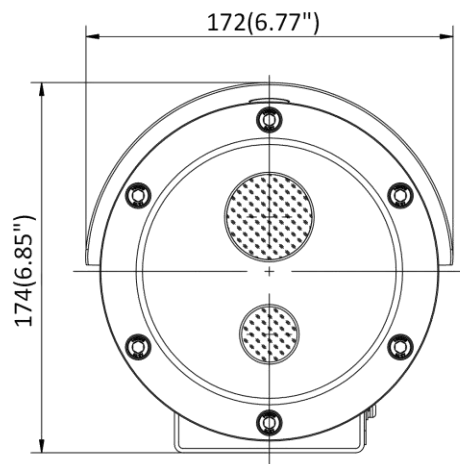
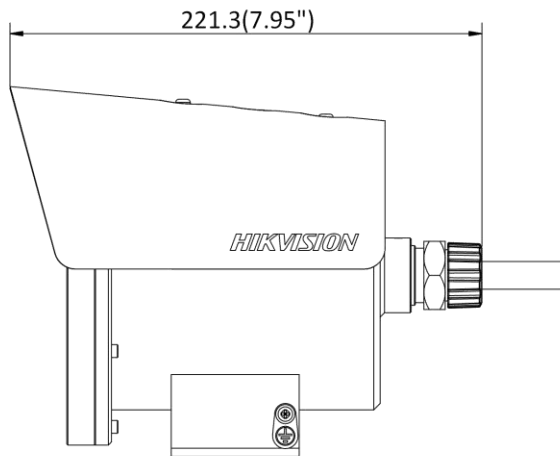
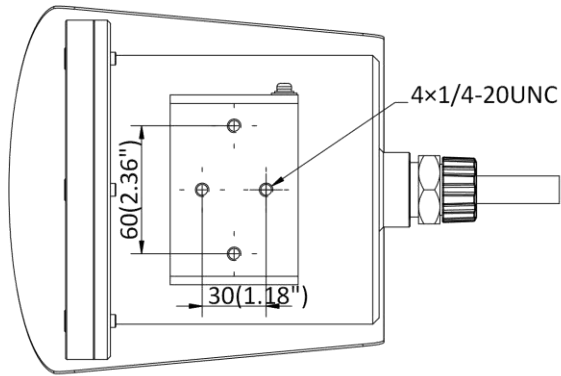
Power Supply	100 VAC to 240 VAC, 0.1 A, terminal block PoE (802.3af, class 3), 0.2 A
Material	Stainless steel 316L
Operating Conditions	-30°C to +60 °C (-22 °F to +140 °F), Humidity 95% or less (non-condensing)
Protection Level	Ingress protection: IK08 (IEC 62262:2002), IP68 (IEC 60529-2013)
Explosion-proof Certificate	ATEX: II 2G Ex db IIC T6 Gb/ II 2D Ex tb IIIC T80°C Db IP68 IECEX: Ex db IIC T6 Gb /Ex tb IIIC T80°C Db IP68 For explosive gas atmospheres, the maximum surface temperature is 85°C; For flammable dust atmospheres, the maximum surface temperature is 80°C; IIC: for explosive gas atmospheres other than mines susceptible to firedamp; For explosive gas mixture atmospheres: Zone 1, Zone 2, Zone 21, Zone 22.
IR Range	30 m
Dimensions (W × D × H)	Camera: 202 × 174 × 172 mm (7.95" × 6.85" × 6.77") Package: 435 × 255 × 285 mm (17.1" × 10" × 11.2")
Weight (without hard disk)	Camera: 5.99 kg(13.21 lb.) With package: 7.07 kg(15.59 lb.)
Compression Standard	
H.264+	Support
H.265+	Support
H.264 Type	Baseline profile/main profile/high profile
Video Compression	Main stream: H.265/H.264 Sub stream: H.265/H.264/MJPEG Third stream: H.265/H.264/MJPEG
H.265 Type	Main profile
Video Bitrate	32 Kbps to 16 Mbps
Audio Compression	G.711/G.722.1/G.726/MP2L2/PCM
Audio Bitrate	64Kbps(G.711)/16Kbps(G.722.1)/16Kbps(G.726)/32-128Kbps(MP2L2)
Smart Feature-set	
Exception Detection	Scene change detection, defocus detection
Line Crossing Detection	Cross a pre-defined virtual line
Intrusion Detection	Enter and loiter in a pre-defined virtual region
Behavior Analysis	Line crossing detection, intrusion detection, region entrance detection, region exiting detection, unattended baggage detection, object removal detection
Region Entrance	Enter a pre-defined virtual region from the outside place
Region Exit	Exit from a pre-defined virtual region
Unattended Baggage	Objects left over in the pre-defined region such as the baggage, purse, dangerous materials
Object Removal	Objects removed from the pre-defined region, such as the exhibits on display.
Facial Recognition	Face detection recognition

▪ Available Model

- DS-2XE6242F-IS/316L (4 mm) (B)
- DS-2XE6242F-IS/316L (6 mm) (B)
- DS-2XE6242F-IS/316L (8 mm) (B)
- DS-2XE6242F-IS/316L (12 mm) (B)

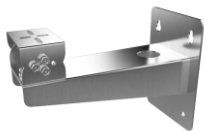
**You are recommended to purchase memory card together with the product if needed. After ordering, the memory card will be installed to product during manufacturing.*

▪ Dimension

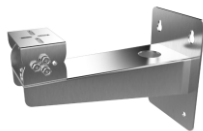


Unit: mm (inch)

▪ **Accessory**



DS-1704ZJ-Y
Wall mount



DS-1704ZJ
Wall mount



DS-1706ZJ
PT joint



DS-1712ZJ
Pendant mount



DS-1677ZJ-XS-1.0 (D)
Flexible conduit



DS-2780ZJ-X
Explosion-proof terminal
box



DS-2780ZJ-X/316L
Explosion-proof terminal
box



Distributed by



HIKVISION®

Headquarters

No.555 Qianmo Road, Binjiang District,
Hangzhou 310051, China
T +86-571-8807-5998
overseasbusiness@hikvision.com

Hikvision USA

T +1-909-895-0400
sales.usa@hikvision.com

Hikvision Australia

T +61-2-8599-4233
salesau@hikvision.com

Hikvision India

T +91-22-28469900
sales@pramahikvision.com

Hikvision Canada

T +1-866-200-6690
sales.canada@hikvision.com

Hikvision Thailand

T +662-275-9949
sales.thailand@hikvision.com

Hikvision Europe

T +31-23-5542770
sales.eu@hikvision.com

Hikvision Italy

T +39-0438-6902
info.it@hikvision.com

Hikvision Brazil

T +55 11 3318-0050
Latam.support@hikvision.com

Hikvision Turkey

T +90 (216)521 7070- 7074
sales.tr@hikvision.com

Hikvision Malaysia

T +601-7652-2413
sales.my@hikvision.com

Hikvision UK & Ireland

T +01628-902140
sales.uk@hikvision.com

Hikvision South Africa

Tel: +27 (10) 0351172
sale.africa@hikvision.com

Hikvision France

T +33(0)1-85-330-450
info.fr@hikvision.com

Hikvision Kazakhstan

T +7-727-9730667
nikia.panfilov@hikvision.ru

Hikvision Vietnam

T +84-974270888
sales.vt@hikvision.com

Hikvision UAE

T +971-4-4432090
salesme@hikvision.com

Hikvision Singapore

T +65-6684-4718
sg@hikvision.com

Hikvision Spain

T +34-91-737-16-55
info.es@hikvision.com

Hikvision Tashkent

T +99-87-1238-9438
uzb@hikvision.ru

Hikvision Hong Kong

T +852-2151-1761
info.hk@hikvision.com

Hikvision Russia

T +7-495-669-67-99
saleru@hikvision.com

Hikvision Korea

T +82-(0)31-731-8817
sales.korea@hikvision.com

Hikvision Poland

T +48-22-460-01-50
info.pl@hikvision.com

Hikvision Indonesia

T +62-21-2933759
Sales.Indonesia@hikvision.com

05058620200423