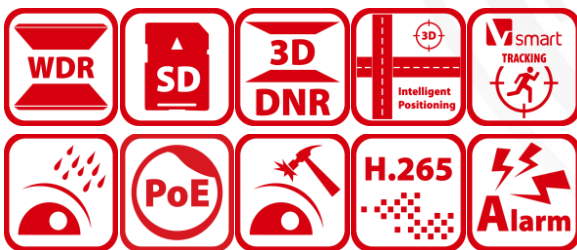


## DS-2DF8A836I(N)X-AEL (B) 8 MP 36 × Network Speed Dome



Hikvision DS-2DF8A836I(N)X-AEL 8 MP 36 × Network Speed Dome adopts 2/3" progressive scan CMOS chip. With the 36× optical zoom lens, the camera offers more details over expansive areas.

This series of cameras can be widely used for wide ranges of high-definition, such as the rivers, forests, roads, railways, airports, ports, squares, parks, scenic spots, stations and large venues, etc.

- 2/3" progressive scan CMOS
- Up to 4096 × 2160 resolution
- Min. illumination  
Color: 0.005 Lux @(F1.5, AGC ON)  
B/W: 0.0005 Lux @(F1.5, AGC ON)  
0 Lux with IR
- 36 × optical zoom, 16 × digital zoom
- Digital WDR, 3D DNR, HLC, BLC, Optical Defog, EIS
- 24 VAC & Hi-PoE
- Support H.265+/H.265 video compression
- Deep-learning-based target classification algorithm for auto-tracking 2.0 and perimeter protection
- Rapid focus
- IK 10, IP 67



## Specifications

Camera Module	
Image Sensor	2/3" progressive scan CMOS
Min. Illumination	Color: 0.005 Lux @(F1.5, AGC ON); B/W: 0.0005 Lux @(F1.5, AGC ON) 0 Lux with IR
White Balance	Auto/Manual/ATW (Auto-tracking White Balance)/Indoor/Outdoor/Fluorescent Lamp/Sodium Lamp
Gain	Auto/Manual
Shutter Time	50Hz: 1 to 1/30,000 s 60Hz: 1 to 1/30,000 s
Day & Night	IR Cut Filter
Digital Zoom	16 ×
Privacy Mask	24 programmable polygon privacy masks, mask color or mosaic configurable
Focus Mode	Auto/Semi-automatic/Manual
WDR	Digital WDR
Rapid Focus	Yes
Lens	
Focal Length	7.5 to 270 mm, 36 × optical zoom
Zoom Speed	Approx. 7.8 s (optical lens, wide-tele)
Field of View	Horizontal field of view: 56.1° to 2.0° (wide-tele) Vertical field of view: 33.4° to 1.1° (wide-tele) Diagonal field of view: 62.9° to 2.3° (wide-tele)
Working Distance	10 to 1500 mm (wide-tele)
Aperture Range	F1.5 to F4.5
PTZ	
Movement Range (Pan)	360° endless
Pan Speed	Configurable, from 0.1°/s to 210°/s Preset speed: 280°/s
Movement Range (Tilt)	From -20° to 90°
Tilt Speed	Configurable, from 0.1°/s to 150°/s Preset speed: 250°/s
Proportional Zoom	Yes
Presets	300
Patrol Scan	8 patrols, up to 32 presets for each patrol
Pattern Scan	4 pattern scans, record time over 10 minutes for each scan
Power-off Memory	Yes
Park Action	Preset/Pattern Scan/Patrol Scan/Auto Scan/Tilt Scan/Random Scan/Frame Scan/Panorama Scan
3D Positioning	Yes
PTZ Status Display	Yes
Preset Freezing	Yes

Scheduled Task	Preset/Pattern Scan/Patrol Scan/Auto Scan/Tilt Scan/Random Scan/Frame Scan/Panorama Scan/Dome Reboot/Dome Adjust/Aux Output
<b>Compression Standard</b>	
Video Compression	Main Stream: H.265+/H.265/H.264+/H.264 Sub-Stream: H.265/H.264/MJPEG Third Stream: H.265/H.264/MJPEG
H.264 Type	Baseline profile/main profile/high profile
H.264+	Yes
H.265 Type	Main profile
H.265+	Yes
Video Bitrate	32 Kbps to 16384 Kbps
Audio Compression	G.711alaw/G.711ulaw/G.722.1/G.726/MP2L2/PCM
Audio Bitrate	64Kbps(G.711)/16Kbps(G.722.1)/16Kbps(G.726)/32-192Kbps(MP2L2)
SVC	Yes
<b>Smart Features</b>	
Face Capture	Detect and capture faces and upload face pictures
Perimeter Protection	Intrusion, Line Crossing, Region Entrance, Region Exiting. Support alarm triggering by specified target types (human and vehicle). Reduce mistaken alarm caused by target types such as leaf, light, animal, and flag, etc.
Event Detection	Unattended Baggage Detection, Object Removal Detection, Audio Exception Detection
Smart Tracking	Manual Tracking, Auto Tracking (support tracking specified target types such as human and vehicle), Event Tracking
Alarm Linkage	Alarm actions, such as Preset, Patrol Scan, Pattern Scan, Memory Card Video Record, Trigger Recording, Notify Surveillance Center, Upload to FTP/Memory Card/NAS, Send Email, etc.
Smart Record	ANR (Automatic Network Replenishment), Dual-VCA
Region of Interest	Eight fixed region for each stream
<b>Image</b>	
Max. Resolution	4096 × 2160
Main Stream	50Hz: 25 fps (4096 × 2160, 3840 × 2160, 3072 × 1728, 2560 × 1440, 2048 × 1536, 1920 × 1080, 1280 × 960, 1280 × 720) 60Hz: 30 fps (4096 × 2160, 3840 × 2160, 3072 × 1728, 2560 × 1440, 2048 × 1536, 1920 × 1080, 1280 × 960, 1280 × 720)
Sub-Stream	50Hz: 25fps (704 × 576, 640 × 480, 352 × 288) 60Hz: 30fps (704 × 480, 640 × 480, 352 × 240)
Third Stream	50Hz: 25fps (1920 × 1080, 1280 × 960, 1280 × 720, 704 × 576, 640 × 480, 352 × 288) 60Hz: 30fps (1920 × 1080, 1280 × 960, 1280 × 720, 704 × 480, 640 × 480, 352 × 240)
Image Enhancement	BLC, HLC, optical defog, 3D DNR, EIS, regional exposure, regional focus
<b>IR</b>	
IR Distance	-IX: 250 m; -INX: 150 m
Wavelength	-IX: 850 nm -INX: 940 nm, invisible IR light

Smart IR	Yes
<b>Network</b>	
Network Storage	Built-in memory card slot, support Micro SD/SDHC/SDXC, up to 256 GB; NAS (NFS, SMB/ CIFS), ANR
Protocols	IPv4/IPv6, HTTP, HTTPS, 802.1x, Qos, FTP, SMTP, UPnP, SNMP, DNS, DDNS, NTP, RTSP, RTCP, RTP, TCP/IP, DHCP, PPPoE, UDP, IGMP, ICMP, Bonjour
API	ONVIF (Profile S, Profile G, Profile T), ISAPI, SDK
Simultaneous Live View	Up to 20 channels
User/Host	Up to 32 users. 3 user levels: administrator, operator and user
Security Measures	User authentication (ID and PW), Host authentication (MAC address); HTTPS encryption; IEEE 802.1x port-based network access control; IP address filtering
Client	iVMS-4200, iVMS-4500, iVMS-5200, Hik-Connect
Web Browser	IE 8 to 11, Chrome 31.0+, Firefox 30.0+, Edge 16.16299+, Safari 11+
<b>Interface</b>	
Alarm	7-ch alarm input/2-ch alarm output
Audio	1-ch audio input, 2.0 to 2.4Vp-p, 1k Ohm $\pm$ 10% 1-ch audio output , line level, impedance: 600 $\Omega$
Network Interface	1 RJ45 10 M/100 M Ethernet interface, Hi-PoE
RS-485	HIKVISION, Pelco-P, Pelco-D, self-adaptive
<b>General</b>	
Language	32 languages. English, Russian, Estonian, Bulgarian, Hungarian, Greek, German, Italian, Czech, Slovak, French, Polish, Dutch, Portuguese, Spanish, Romanian, Danish, Swedish, Norwegian, Finnish, Croatian, Slovenian, Serbian, Turkish, Korean, Traditional Chinese, Thai, Vietnamese, Japanese, Latvian, Lithuanian, Portuguese (Brazil)
Power	24 V, 3.0 A, 50/60Hz, AC (max. 60 W, including max. 15 W for IR and max. 10 W for heater) Hi-PoE, 42.5 to 57 V, 1.41 A (including max. 15 W for IR and max. 10 W for heater)
Working Environment	Temperature: -40°C to 70°C (-40°F to 158°F), humidity: $\leq$ 95%
Protection Level	IP67 Standard, IK10, 6000V Lightning Protection, Surge Protection and Voltage Transient Protection
Installation	Variable installation methods optional, including ceiling mounting (default), in-ceiling mounting, junction box installation and wall mounting
Dimension	$\Phi$ 267 mm $\times$ 405mm ( $\Phi$ 10.51" $\times$ 15.94")
Weight	Approx. 9.5 kg (20.94 lb)

## DORI

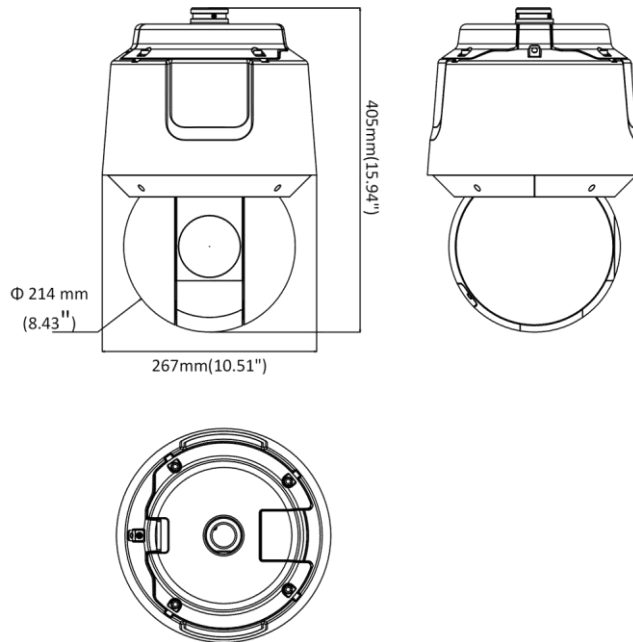
The DORI (detect, observe, recognize, identify) distance gives the general idea of the camera ability to distinguish persons or objects within its field of view. It is calculated based on the camera sensor specification and the criteria given by EN 62676-4: 2015.

DORI	Detect	Observe	Recognize	Identify
Definition	25 px/m	63 px/m	125 px/m	250 px/m
Distance (Tele)	3680.0 m (12073.5 ft)	1460.3 m (4791.1 ft)	736.0 m (2414.7 ft)	368.0 m (1207.3 ft)

**Available Model**

DS-2DF8A836IX-AEL (B), 24 VAC. Hi-PoE  
 DS-2DF8A836INX-AEL (B), 24 VAC. Hi-PoE

**Dimensions**



**Accessory**

**Included**



**Installation Adapter**

**Optional**



**DS-1602ZJ-P  
Wall Mount**



**DS-1604ZJ-BOX-P  
Wall Mount with Junction  
Box**



**DS-1602ZJ-Pole-P  
Vertical Pole Mount**



**DS-1602ZJ-Corner-P  
Corner Mount**



**DS-1660ZJ-P**  
**Parapet Mount**



**DS-1662ZJ-P**  
**Pendant Mount**



**DS-1661ZJ-P**  
**Pendant Mount**



**DS-1682ZJ-P**  
**Extendable Pole for**  
**Pendant Mount**



**DS-1667ZJ-P**  
**Extendable Pole for**  
**Pendant Mount**



**DS-1663ZJ-P**  
**Ceiling Mount**



**DS-1005KI**  
**USB Joy-stick**



**LAS60-57CN-RJ45**  
**Hi-PoE Midspan**



**DS-1100KI**  
**Network Keyboard**



**TEAC-66-243000V (EU)**  
**MKAC-66-243000U (USA)**  
**TEAC-66-243000VB (UK)**  
**Power adapter**

Distributed by

**HIKVISION®****Headquarters**

No.555 Qianmo Road, Binjiang District,  
Hangzhou 310051, China  
T +86-571-8807-5998  
overseasbusiness@hikvision.com

**Hikvision USA**  
T +1-909-895-0400  
sales.usa@hikvision.com

**Hikvision Australia**  
T +61-2-8599-4233  
salesau@hikvision.com

**Hikvision India**  
T +91-22-28469900  
sales@pramahikvision.com

**Hikvision Canada**  
T +1-866-200-6690  
sales.canada@hikvision.com

**Hikvision Thailand**  
T +662-275-9949  
sales.thailand@hikvision.com

**Hikvision Europe**  
T +31-23-5542770  
sales.eu@hikvision.com

**Hikvision Italy**  
T +39-0438-6902  
info.it@hikvision.com

**Hikvision Brazil**  
T +55 11 3318-0050  
Latam.support@hikvision.com

**Hikvision Turkey**  
T +90 (216)521 7070- 7074  
sales.tr@hikvision.com

**Hikvision Malaysia**  
T +601-7652-2413  
sales.my@hikvision.com

**Hikvision UK & Ireland**  
T +01628-902140  
sales.uk@hikvision.com

**Hikvision South Africa**  
Tel: +27 (10) 0351172  
sale.africa@hikvision.com

**Hikvision France**  
T +33(0)1-85-330-450  
info.fr@hikvision.com

**Hikvision Kazakhstan**  
T +7-727-9730667  
nikia.panfilov@hikvision.ru

**Hikvision Vietnam**  
T +84-974270888  
sales.vt@hikvision.com

**Hikvision UAE**  
T +971-4-4432090  
salesme@hikvision.com

**Hikvision Singapore**  
T +65-6684-4718  
sg@hikvision.com

**Hikvision Spain**  
T +34-91-737-16-55  
info.es@hikvision.com

**Hikvision Tashkent**  
T +99-87-1238-9438  
uzb@hikvision.ru

**Hikvision Hong Kong**  
T +852-2151-1761  
info.hk@hikvision.com

**Hikvision Russia**  
T +7-495-669-67-99  
sateru@hikvision.com

**Hikvision Korea**  
T +82-(0)31-731-8817  
sales.korea@hikvision.com

**Hikvision Poland**  
T +48-22-460-01-50  
info.pl@hikvision.com

**Hikvision Indonesia**  
T +62-21-2933759  
Sales.Indonesia@hikvision.com

**Hikvision Colombia**  
sales.colombia@hikvision.com