

iDS-2CD8626G0/P-(IZS)(LZS) 2 MP VF ANPR Bullet Network Camera



DarkFighter



DeepinView

- 1/1.8" Progressive Scan CMOS
- 1920 × 1080 @ 60fps
- 2.8 to 12 mm, 8 to 32 mm varifocal lens
- IR range up to 100 m (-IZS)
- White light range up to 30 m (-LZS)
- Five streams
- 140dB WDR
- Auto-iris, DC drive
- IP67, IK10 (camera body)
- 3D DNR/Defog/EIS/HLC/BLC
- Region of interest
- Target cropping
- License plate recognition
- Capture rate > 99% and accuracy rate > 98% when only one lane is configured
- Support vehicle speed under 120 km/h (74.6 mi/h)
- Up to 10000 whitelist and blacklist
- 6 behavior analyses, 2 exception detections, and face detection



Specifications

| Camera | |
|---|---|
| Image Sensor | 1/1.8" Progressive Scan CMOS |
| Min. Illumination | Color: 0.002 Lux @ (F1.2, AGC ON); 0.031 Lux @ (F1.5, AGC ON), 0 Lux with white light on |
| Shutter Speed | 1 s to 1/100,000 s |
| Slow Shutter | Yes |
| Auto-iris | DC drive |
| Day & Night | IR Cut Filter |
| Digital Noise Reduction | 3D DNR |
| WDR | 120 dB |
| Lens | |
| Focal length | 2.8 to 12 mm 8 to 32 mm |
| Aperture | 2.8 to 12 mm: F1.5 - 2.8 8 to 32 mm: F1.6 |
| FOV | 2.8 to 12 mm: horizontal FOV 81.8° to 31.2°, vertical FOV: 43.5° to 17.6°, diagonal FOV: 97° to 36.3° 8 to 32 mm: horizontal FOV 42° to 13.2°, vertical FOV: 23.6° to 7.8°, diagonal FOV: 49° to 15.5° |
| IR/White Light | |
| IR Range (-I2S) | Up to 100 m |
| IR Wavelength | 850nm |
| White Light (-L2S) | Up to 30 m |
| Compression Standard | |
| Video Compression | Main stream/third stream: H.265/H.264 Sub-stream, fourth stream and fifth stream: H.265/H.264/MJPEG |
| H.264 Type | Baseline Profile/Main Profile/High Profile |
| H.264+ | Main stream supports |
| H.265 Type | Main Profile |
| H.265+ | Main stream supports |
| Video Bit Rate | 32 Kbps to 16 Mbps |
| Audio Compression | G.711ulaw/G.711alaw/G.722.1/G.726/MP2L2/PCM |
| Audio Bit Rate | 64Kbps(G.711ulaw/G.711alaw)/16Kbps(G.722.1)/16Kbps(G.726)/32-192Kbps(MP2L2) |
| Smart Feature-set | |
| Behavior Analysis | Line crossing detection, intrusion detection, region entrance detection, region exiting detection, unattended baggage detection, object removal detection |
| Exception Detection | Scene change detection, audio exception detection |
| Face Detection | Yes |
| Recognition | License Plate Recognition |
| Region of Interest | Support 4 fixed regions for each stream, and dynamic tracking |
| Road Traffic and Vehicle Detection | |
| Accuracy | Capture Rate > 99%, accuracy rate > 98% when only one lane is configured |
| Vehicle Speed | Support vehicle speed under 120 km/h (74.6 mi/h) |
| Lane number | 2 lanes |
| Direction | Support capture and recognition of vehicles both approaching and leaving |
| Whitelist and Blacklist | Up to 10000 |

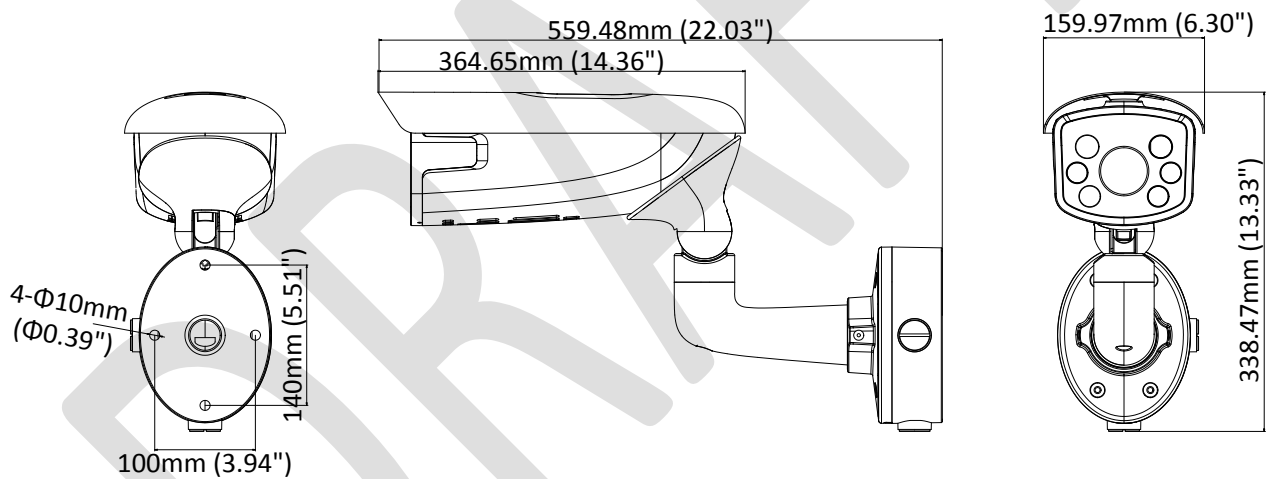
| | |
|---------------------------------------|--|
| Country/Region and License Plate Type | Country/Region: Mid-East (United Arab Emirates, Qatar, Bahrain, Oman, Saudi Arabia, Kuwait, Yemen, Iraq, Syria, Jordan, Lebanon, and Egypt) Supported License Plate Type: Private, Truck, Taxi, Public, Learning, Police, Commercial, Export, Moto Bike, Public Transfer, CD, CC, Army, Commercial Use, Testing, Government, Protocol, Private Transport, Unknown |
| Image | |
| Max. Resolution | 1920 × 1080 |
| Main Stream | 50Hz: 50fps (1920 × 1080, 1280 × 960, 1280 × 720) 60Hz: 60fps (1920 × 1080, 1280 × 960, 1280 × 720) |
| Sub Stream | 50Hz: 25fps (704 × 576, 640 × 480) 60Hz: 30fps (704 × 480, 640 × 480) |
| Third Stream | 50Hz: 25fps (1920 × 1080, 1280 × 960, 1280 × 720, 704 × 576, 640 × 480) 60Hz: 30fps (1920 × 1080, 1280 × 960, 1280 × 720, 704 × 480, 640 × 480) |
| Fourth and Fifth Stream | 50Hz: 25fps (704 × 576, 640 × 480) 60Hz: 30fps (704 × 480, 640 × 480) |
| Image Enhancement | BLC, defog, EIS, 3D DNR, HLC |
| Image Setting | Saturation, brightness, contrast, sharpness, AGC and white balance adjustable by client software or web browser |
| Target Cropping | Yes |
| SVC | Yes |
| Day/Night Switch | Auto/Schedule/Day/Night/Triggered by Alarm In |
| Picture Overlay | LOGO picture can be overlaid on video with 128 × 128 24bit bmp format |
| Network | |
| Network Storage | Support Micro SD/SDHC/SDXC card (128G) local storage, NAS (NFS,SMB/CIFS), ANR |
| Alarm Trigger | Motion detection, video tampering alarm, network disconnected, IP address conflict, illegal login, HDD full, HDD error |
| Protocols | TCP/IP, ICMP, HTTP, HTTPS, FTP, DHCP, DNS, DDNS, RTP, RTSP, RTCP, PPPoE, NTP, UPnP™, SMTP, SNMP, IGMP, 802.1X, QoS, IPv6, UDP, Bonjour |
| General Function | One-key reset, anti-flicker, five streams, heartbeat, mirror, password protection, privacy mask, watermark, IP address filter |
| Firmware Version | V5.4.7 |
| API | ONVIF (PROFILE S, PROFILE G), ISAPI, SDK |
| Simultaneous Live View | Up to 20 channels |
| User/Host | Up to 32 users. 3 user levels: Administrator, Operator and User |
| Client | iVMS-4200, Hik-Central |
| Web Browser | IE8+, Chrome 31.0-44, Firefox 30.0-51, Safari 8.0+ |
| Interface | |
| Audio I/O | 1-ch 3.5 mm audio input (line in), 1-ch 3.5 mm audio output (line out), mono sound |
| Communication Interface | 1 RJ45 10M/100M/1000M self-adaptive Ethernet port, 1 RS-485 interface |
| Alarm I/O | 2 inputs, 2 outputs (up to 24 VDC 1 A or 110 VAC 500 mA) |
| Video Output | 1Vp-p composite output (75 Ω/BNC) |
| On-board storage | Built-in micro SD/SDHC/SDXC slot, up to 128 GB |
| Reset Button | Yes |
| Audio | |
| Environment Noise Filtering | Yes |
| Audio Sampling Rate | 8 kHz/16 kHz/32 kHz/44.1 kHz/48 kHz |
| General | |
| Firmware Version | V5.4.7 |

| | |
|-------------------------------|---|
| Operating Conditions | -30 °C to 60 °C (-22 °F to 140 °F) Humidity 95% or less (non-condensing) |
| Power Supply | 36 VDC, three-core terminal block |
| Power Consumption and Current | -IZS: 36 VDC, 1 A, max. 35 W -LZS: 36 VDC, 1.17 A, max. 42 W |
| Protection Level | IP67, IK10 (camera body) |
| Material | Aluminum alloy |
| Dimensions | Camera: 560 × 339 × 160 mm (22.0" × 13.3" × 6.3") |
| Weight | Camera: approx. 6 kg (13.2 lb.) With Package: approx. 8 kg (17.6 lb.) |

Available Models:

iDS-2CD8626G0/P-IZS (2.8 to 12 mm), iDS-2CD8626G0/P-IZS (8 to 32 mm), iDS-2CD8626G0/P-LZS (2.8 to 12 mm), iDS-2CD8626G0/P-LZS (8 to 32 mm)

Dimensions



Accessories



DS-1275ZJ-4626
Vertical Pole Mount

Distributed by

**HIKVISION®****Headquarters**

No.555 Qianmo Road, Binjiang District,
Hangzhou 310051, China
T +86-571-8807-5998
overseasbusiness@hikvision.com

Hikvision USA
T +1-909-895-0400
sales.usa@hikvision.com

Hikvision Italy
T +39-0438-6902
info.it@hikvision.com

Hikvision Singapore
T +65-6684-4718
sg@hikvision.com

Hikvision Africa
T +27 (10) 0351172
sale.africa@hikvision.com

Hikvision Europe
T +31-23-55-42-770
info.eu@hikvision.com

Hikvision France
T +33(0)1-85-330-450
info.fr@hikvision.com

Hikvision Oceania
T +61-2-8599-4233
salesau@hikvision.com

Hikvision Hong Kong
T +852-2151-1761

Hikvision Middle East
T +971-4-8816086
salesme@hikvision.com

Hikvision Spain
T +34-91-737-16-55
info.es@hikvision.com

Hikvision Canada
T +1-909-895-0400
sales.usa@hikvision.com

Hikvision Russia
T +7-495-669-67-99
saleru@hikvision.com

Hikvision Poland
T +48-22-460-01-50
poland@hikvision.com

Hikvision Korea
T +82-31-731-8841
sales.korea@hikvision.com

Hikvision India
T +91-22-28469900
sales@pramahikvision.com

Hikvision UK
T +01628-902140
support.uk@hikvision.com

Hikvision Brazil
T +55 11 3318-0050
Latam.support@hikvision.com