

DS-3E1518P-E

Gigabit Web-Managed PoE Switch

DS-3E1518P-E switches are layer 2 PoE switches, providing advanced PoE power supply technology and Gigabit networks design on the basis of high-performance access. The switches support Web management, various layer 2 management protocols such as STP/RSTP, VLAN, link aggregation, SNMP, QoS and so on to ensure the data is uploaded steadily.



Key Feature

- 16 × gigabit PoE ports, and 2 × gigabit fiber optical ports.
- IEEE 802.3at/af standard for PoE ports.
- IEEE 802.3, IEEE 802.3u, IEEE 802.3x, IEEE 802.3ab, and IEEE 802.3z standard.
- 6 KV surge protection for PoE ports.
- PoE output power management.
- AF/AT camera can reach up to 300 m in extend mode.
- PoE watchdog to auto detect and restart the cameras that do not respond.
- Gigabit network access design.
- Wire-speed forwarding.
- Store-and-forward switching.
- Various layer 2 management protocols such as STP/RSTP, VLAN, link aggregation, SNMP, QoS and so on.
- Port management.
- Web management.
- Solid high-strength metal shell.

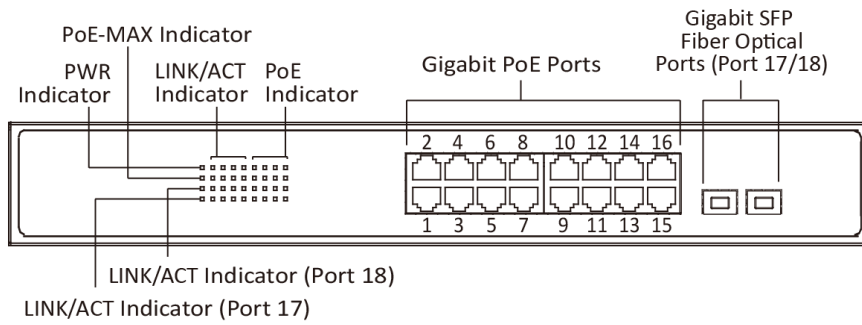


Specification

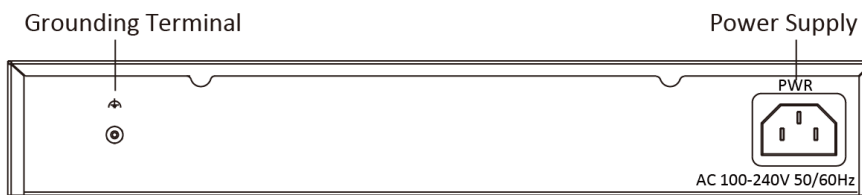
| Model | | DS-3E1518P-E |
|--------------------|---------------------------------------|--|
| Network parameters | Port number | 16 × gigabit PoE ports, and 2 × gigabit fiber optical ports |
| | Port type | RJ45 port, full duplex, MDI/MDI-X adaptive |
| | Standard | IEEE 802.3, IEEE 802.3u, IEEE 802.3x, IEEE 802.3ab, and IEEE 802.3z |
| | Forwarding mode | Store-and-forward switching |
| | Working mode | Standard mode (default); Extend mode |
| | MAC address table | 8 K |
| | Switching capacity | 36 Gbps |
| | Packet forwarding rate | 26.784 Mpps |
| | Internal cache | 4.1 Mbits |
| PoE power supply | PoE standard | IEEE 802.3af, IEEE 802.3at |
| | PoE power pin | Ethernet cables 1/2/3/6 provide power supply. |
| | PoE port | Ports 1 to 16 |
| | Max. port power | 30 W |
| | PoE power budget | 225 W |
| General | Shell | Metal material |
| | Net weight | 2.735 kg (6.03 lb) |
| | Gross weight | 3.31 kg (7.30 lb) |
| | Dimension (L × H × D) | 440 mm × 220.8 mm × 44 mm (17.32" × 8.69" × 1.73") |
| | Operating temperature | -10 °C to 55 °C (14 °F to 131 °F) |
| | Storage temperature | -40 °C to 85 °C (-40 °F to 185 °F) |
| | Operating humidity | 5% to 95% (no condensation) |
| | Relative humidity | 5% to 95% (no condensation) |
| | Power supply | 100 to 240 VAC, 50/60 Hz, Max. 4 A |
| | Power source | 250 W |
| | Max. power consumption | 250 W |
| | Power consumption in idle | 25 W |
| Software Function | Device maintenance | Support remote upgrade, recovering default parameters, viewing logs, configuring basic network parameters, import and export configuration, time sync. |
| | Port configuration | Support the configuration of port rate and slow control, and ports enabling. |
| | Long range | Support up to 300 m transmission. |
| | PoE watchdog | Ports 1 to 16: auto detect and restart the cameras that do not respond. |
| | Port rate-limiting | Support rate-limiting for ingress and egress ports. |
| | Storm control | Support the storm control of unknown unicast, multicast and broadcast. |
| | Port mirroring | Support port mirroring function. |
| | QoS | Support WRR and SP scheduling and port priority. |
| | VLAN | Support 128 VLANs. |
| | STP | Support STP and RSTP. |
| | SNMP | Support SNMPv1 and SNMPv2c, the node information for system and interfaces acquisition. |
| PoE | Support IEEE 802.3at/af power supply. | |

Physical Interface

Front panel:



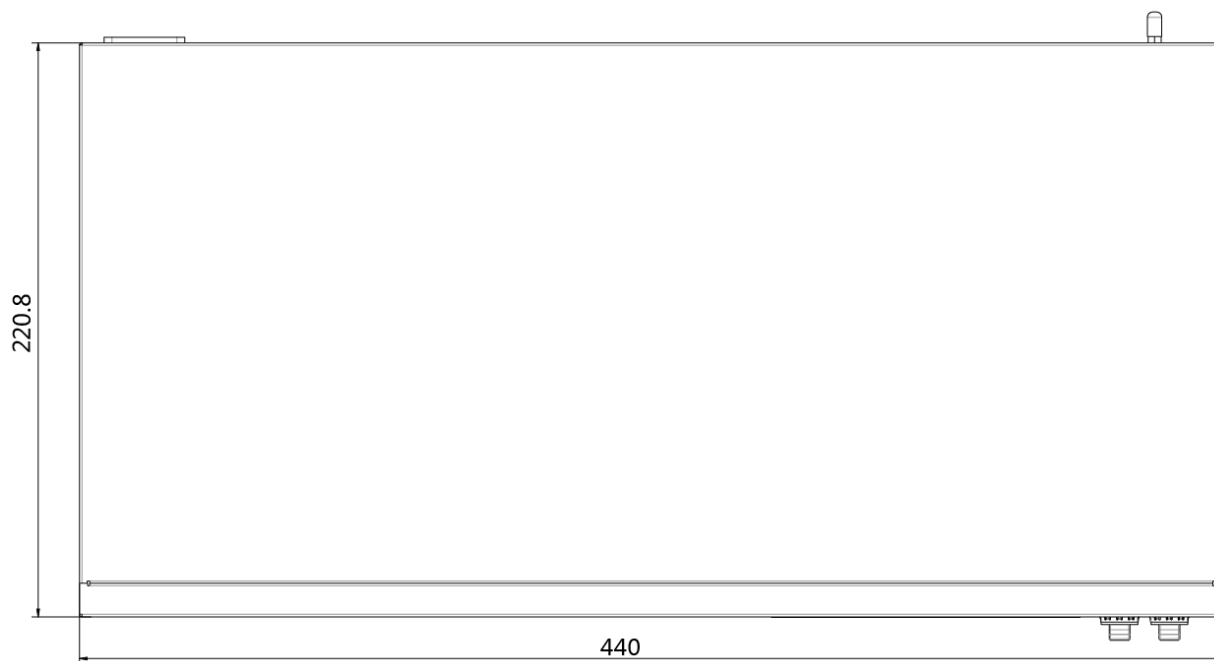
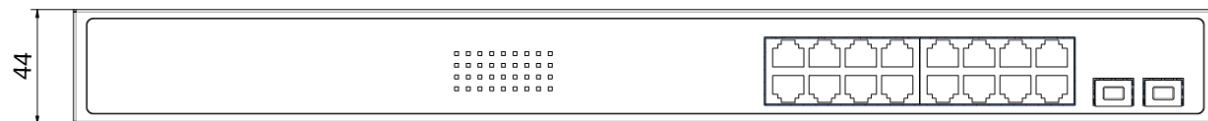
Back panel:



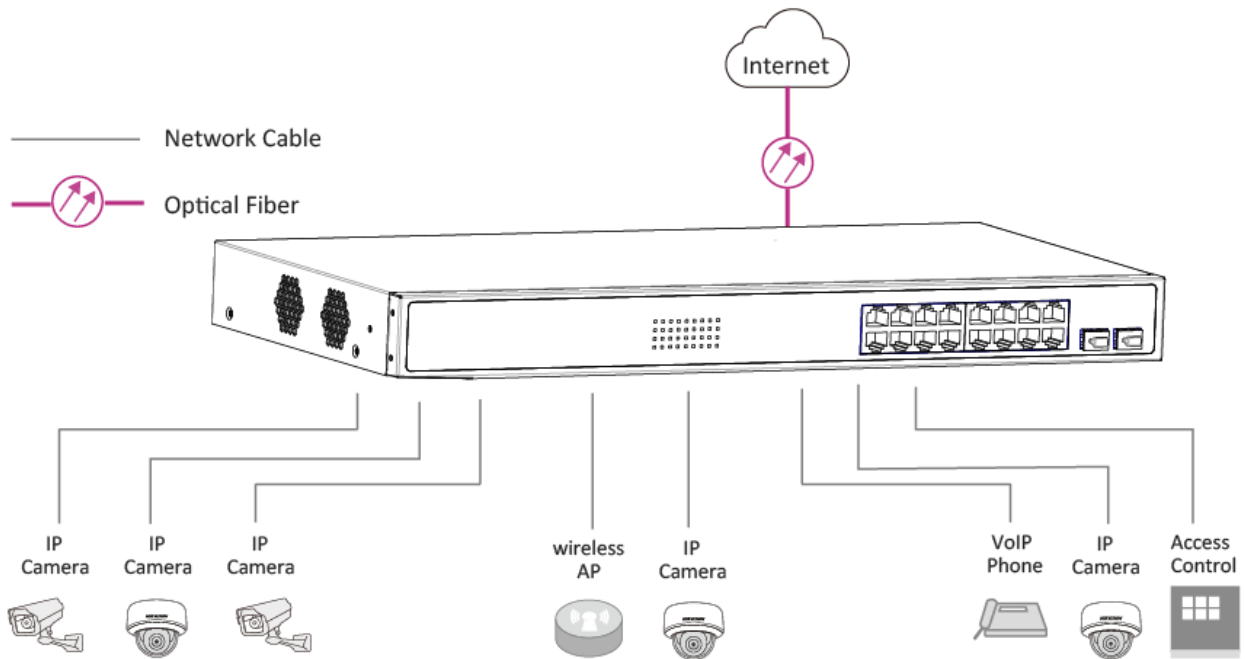
Available Model

DS-3E1518P-E

Dimension (unit: mm)



Typical Application



Distributed by



HIKVISION®

Headquarters

No.555 Qianmo Road, Binjiang District,
Hangzhou 310051, China
T +86-571-8807-5998
overseasbusiness@hikvision.com

Hikvision USA
T +1-909-895-0400
sales.usa@hikvision.com

Hikvision Australia
T +61-2-8599-4233
salesau@hikvision.com

Hikvision India
T +91-22-28469900
sales@pramahikvision.com

Hikvision Canada
T +1-866-200-6690
sales.canada@hikvision.com

Hikvision Thailand
T +662-275-9949
sales.thailand@hikvision.com

Hikvision Europe
T +31-23-5542770
sales.eu@hikvision.com

Hikvision Italy
T +39-0438-6902
info.it@hikvision.com

Hikvision Brazil
T +55 11 3318-0050
Latam.support@hikvision.com

Hikvision Turkey
T +90 (216)521 7070- 7074
sales.tr@hikvision.com

Hikvision Malaysia
T +601-7652-2413
sales.my@hikvision.com

Hikvision UK & Ireland
T +01628-902140
sales.uk@hikvision.com

Hikvision South Africa
Tel: +27 (10) 0351172
sale.africa@hikvision.com

Hikvision France
T +33(0)1-85-330-450
info.fr@hikvision.com

Hikvision Kazakhstan
T +7-727-9730667
nikia.panfilov@hikvision.ru

Hikvision Vietnam
T +84-974270888
sales.vt@hikvision.com

Hikvision UAE
T +971-4-4432090
salesme@hikvision.com

Hikvision Singapore
T +65-6684-4718
sg@hikvision.com

Hikvision Spain
T +34-91-737-16-55
info.es@hikvision.com

Hikvision Tashkent
T +99-87-1238-9438
uzb@hikvision.ru

Hikvision Hong Kong
T +852-2151-1761
info.hk@hikvision.com

Hikvision Russia
T +7-495-669-67-99
saleru@hikvision.com

Hikvision Korea
T +82-(0)31-731-8817
sales.korea@hikvision.com

Hikvision Poland
T +48-22-460-01-50
info.pl@hikvision.com

Hikvision Indonesia
T +62-21-2933759
Sales.Indonesia@hikvision.com

Hikvision Colombia
sales.colombia@hikvision.com