

DS-MH2311 Series Body Camera

Introduction

DS-MH2311 Series Body camera, a video recording system, is typically used by law enforcement officers to record their interactions with the public and gather video evidences at crime scenes.



Key Features

- H.264 and H.265 encoding technology.
- Up to 1080p/30 fps recording resolution.
- Wide-range lens with 129° horizontal FOV.
- Dismountable battery design.
- Built-in GPS module.
- 3G/4G network transmission.
- 2.4 inch TFT LCD.
- Light weight (190 g without shoulder clip).
- Small size (95 × 60 × 29 mm)
- IP67.

Available Models

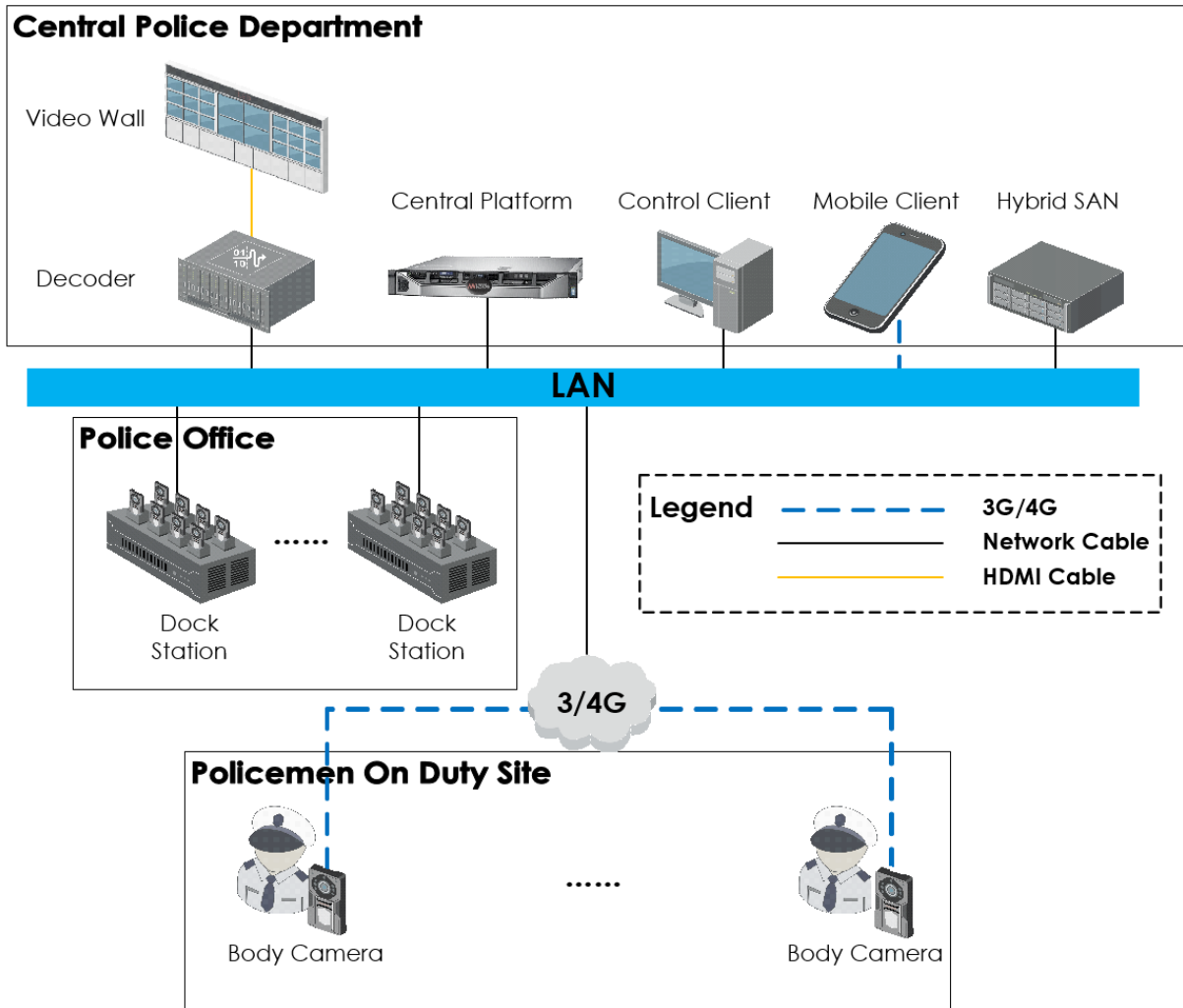
DS-MH2311/32G, DS-MH2311/32G/GLE



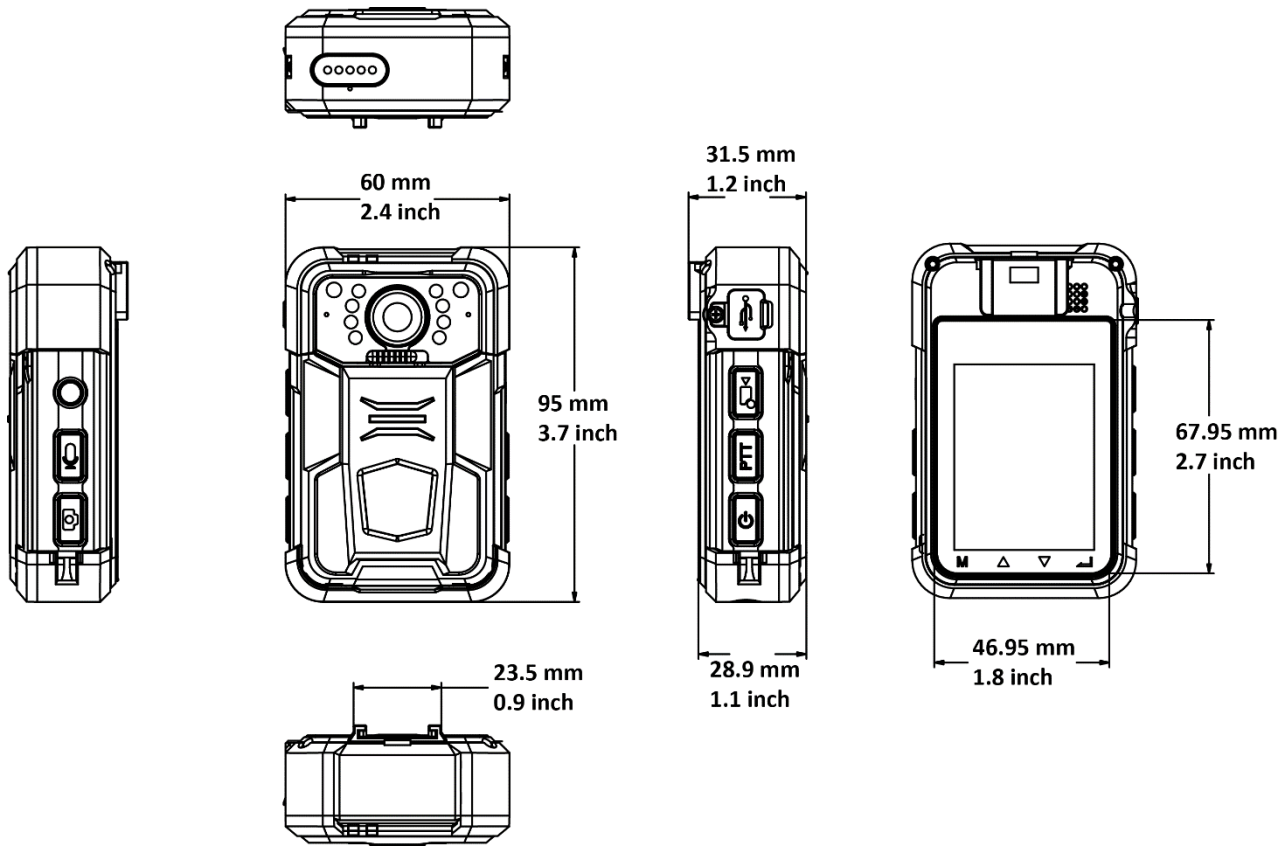
Specifications

Model		DS-MH2311/32G	DS-MH2311/32G/GLE
Sensor	Type	1/3" CMOS	
	FOV	Horizontal FOV: 129°	
Display	Dimensions	2.4" TFT LCD	
Video Parameters	Video Input	1080p	
	Video Resolution	1920 × 1080, 1280 × 720, 720 × 576	
	Main Stream	1080p/30 fps	
	Sub-stream	720p/30 fps	
	Video Format	.mp4	
	Picture Resolution	Up to 30 MP	
	Picture Format	.jpg	
	Shutter	Digital shutter	
	Day & Night	IR cut filter with auto switch	
	White Balance	Auto	
	Flashing Light	Supported	
	Laser Positioning	Supported	
Storage	Capacity	32G TF card	A built-in EMMC storage chip of 32 GB capacity
Positioning	Satellite Positioning	Built-in GPS module	
Network Transmission	4G	Not supported	Frequency band: FDD LTE: Band 1, Band 2, Band 3, Band 4, Band 5, Band 7, Band 8, Band 20 WCDMA/HSDPA/HSUPA/HSPA+: Band 1, Band 2, Band 5, Band 8 GSM/GPRS/EDGE: 850 MHz/900 MHz/1800 MHz/1900 MHz
	Wi-Fi	802.11b/g/n	
General	Working Temperature	-20 °C to +55 °C (-4 °F to +131 °F)	
	Working Humidity	≤ 90%	
	Ingress Protection Level	IP67	
	Dimensions (L × W × H)	95 × 60 × 29 mm (3.7 × 2.4 × 1.1 inch)	
	Weight	Body camera: 190 g (without should clip) (0.4 lb) With package: 515 g (1.1 lb)	
Others	Buttons	Power switch, Recording button, taping button, capture button, two-way audio button, alarm button, menu button, up button, down button, OK button.	
	USB Interface	Mini USB 2.0	
	Charging	Charging via USB interface/dock station	
	Battery	A dismountable battery with 3,300 mAh capacity which can record videos up to 8 hours.	

Typical Application



Dimensions



Distributed by

HIKVISION®

Headquarters

No.555 Qianmo Road, Binjiang District,
Hangzhou 310051, China
T +86-571-8807-5998
overseasbusiness@hikvision.com

Hikvision USA
T +1-909-895-0400
sales.usa@hikvision.com

Hikvision Australia
T +61-2-8599-4233
salesau@hikvision.com

Hikvision India
T +91-22-28469900
sales@pramahikvision.com

Hikvision Canada
T +1-866-200-6690
sales.canada@hikvision.com

Hikvision Thailand
T +662-275-9949
sales.thailand@hikvision.com

Hikvision Europe
T +31-23-5542770
sales.eu@hikvision.com

Hikvision Italy
T +39-0438-6902
info.it@hikvision.com

Hikvision Brazil
T +55 11 3318-0050
Latam.support@hikvision.com

Hikvision Turkey
T +90 (216)521 7070- 7074
sales.tr@hikvision.com

Hikvision Malaysia
T +601-7652-2413
sales.my@hikvision.com

Hikvision UK & Ireland
T +01628-902140
sales.uk@hikvision.com

Hikvision South Africa
Tel: +27 (10) 0351172
sale.africa@hikvision.com

Hikvision France
T +33(0)1-85-330-450
info.fr@hikvision.com

Hikvision Kazakhstan
T +7-727-9730667
nikia.panfilov@hikvision.ru

Hikvision Vietnam
T +84-974270888
sales.vt@hikvision.com

Hikvision UAE
T +971-4-4432090
salesme@hikvision.com

Hikvision Singapore
T +65-6684-4718
sg@hikvision.com

Hikvision Spain
T +34-91-737-16-55
info.es@hikvision.com

Hikvision Tashkent
T +99-87-1238-9438
uzb@hikvision.ru

Hikvision Hong Kong
T +852-2151-1761
info.hk@hikvision.com

Hikvision Russia
T +7-495-669-67-99
saleru@hikvision.com

Hikvision Korea
T +82-(0)31-731-8817
sales.korea@hikvision.com

Hikvision Poland
T +48-22-460-01-50
info.pl@hikvision.com

Hikvision Indonesia
T +62-21-2933759
Sales.Indonesia@hikvision.com

Hikvision Colombia
sales.colombia@hikvision.com