

DS-2XM6425G0/F-C2M 2.0 MP Mobile Covert Camera



smart IPC

- 1/2.8" Progressive Scan CMOS
- 1920 × 1080 @ 30fps
- 120dB WDR
- 3D DNR
- H.265, H.265+, H.264, H.264+
- Smart encoding: low bit rate, low latency
- Audio in
- Alarm I/O
- ROI
- Face capture by deep-learning technology
- 6 behavior analyses, 3 exception detection, and face detection
- Built-in Micro SD / SDHC / SDXC card slot, up to 128GB



Specifications

Camera	
Image Sensor	1/2.8" Progressive Scan CMOS
Min. Illumination	Color: 0.001 Lux @ (F1.2, AGC ON), 0.002 Lux @ (F1.6, AGC ON) B/W: 0.0007 Lux@(F1.2, AGC ON), 0.001 Lux@(F1.6, AGC ON), 0 Lux with IR
Shutter Speed	Channel 1: 1/25 s to 1/100,000 s Channel 2: 1 s to 1/100,000 s
Slow Shutter	Yes (channel 2)
Auto-Iris	No
Day & Night	IR Cut Filter
Digital Noise Reduction	3D DNR
WDR	120 dB
Angle Adjustment	L80 IR Dome Lens: pan: -30 to 30, tilt: 0° to 75° (2 mm 0° to 60°), rotate: -180° to 180° L90 IR Turret Lens: tilt: 0° to 75°, rotate: -180° to 180°
Lens	
Focal length	L32/L90: 2 mm/2.8 mm/4 mm L80: 2 mm/2.8 mm/4 mm/6 mm/8 mm
Focus	No
FOV	L32/L90: 2 mm/2.8 mm/4 mm 2 mm @ F2.0: horizontal FOV 132.8°, vertical FOV 77.5°, diagonal FOV 153° 2.8 mm @ F1.6: horizontal FOV 110.5°, vertical FOV 60°, diagonal FOV 130° 4 mm @ F1.6: horizontal FOV 86°, vertical FOV 45°, diagonal FOV 102° L80: 2 mm/2.8 mm/4 mm/6 mm/8 mm 2 mm @ F2.0: horizontal FOV 132.8°, vertical FOV 77.5°, diagonal FOV 153° 2.8 mm @ F1.6: horizontal FOV 110.5°, vertical FOV 60°, diagonal FOV 130° 4 mm @ F1.6: horizontal FOV 86°, vertical FOV 45°, diagonal FOV 102° 6 mm @ F1.6: horizontal FOV 52.7°, vertical FOV 30.3°, diagonal FOV 60.3° 8 mm @ F1.6: horizontal FOV 40.5°, vertical FOV 22.4°, diagonal FOV 46.8°
Aperture	F1.6, F2.0
Lens Mount	M12
IR	
IR Range	L80/L90: 5 m
Wavelength	850 nm
Compression Standard	
Video Compression	Main stream: H.265/H.264 Sub-stream: H.265/H.264/MJPEG
H.265 Type	Main Profile
H.265+	Main stream support
H.264 Type	Baseline Profile/Main Profile/High Profile
H.264+	Main stream support
Video Bit Rate	32 Kbps to 16 Mbps
Audio Compression	G.711/G.722.1/G.726/MP2L2/PCM
Audio Bit Rate	64Kbps(G.711)/16Kbps(G.722.1)/16Kbps(G.726)/32-192Kbps(MP2L2)
SVC	H.264 and H.265 support
Smart Feature-set	

Behavior Analysis	Channel 1: Line crossing detection, intrusion detection, region entrance, region exiting, unattended baggage, object removal Channel 2: No
Exception Detection	Channel 1: Scene change detection, defocus detection, audio exception detection Channel 2: No
Face Detection	Channel 1: Yes Channel 2: No
Face Capture	Channel 1: Yes Channel 2: No
Region of Interest	Channel 1: 4 fixed regions for each stream, and dynamic face tracking Channel 2: No
Image	
Max. Resolution	1920 × 1080
Main Stream	50Hz: 25fps (1920 × 1080, 1280 × 960, 1280 × 720) 60Hz: 30fps (1920 × 1080, 1280 × 960, 1280 × 720)
Sub Stream	50Hz: 25fps (704 × 576, 640 × 480) 60Hz: 30fps (704 × 480, 640 × 480)
Image Enhancement	BLC, HLC, 3D DNR, Defog, EIS
Image Settings	Rotate mode, saturation, brightness, contrast, sharpness, AGC, white balance adjustable by client software or web browser
Target Cropping	No
Day/Night Switch	Day/Night/Auto/Schedule/Triggered by Alarm in
Picture Overlay	LOGO picture can be overlaid on video with 128 × 128 24bit bmp format
Network	
Network Storage	Micro SD/SDHC/SDXC card (128G), local storage and NAS (NFS,SMB/CIFS), ANR
Alarm Trigger	Motion detection, video tampering alarm, network disconnected, IP address conflict, illegal login, HDD full, HDD error
Protocols	TCP/IP, ICMP, HTTP, HTTPS, FTP, DHCP, DNS, DDNS, RTP, RTSP, RTCP, PPPoE, NTP, UPnP, SMTP, SNMP, IGMP, 802.1X, QoS, IPv6, UDP, Bonjour
General Function	One-key reset, anti-flicker, heartbeat, mirror, password protection, privacy mask, watermark, IP address filter
Firmware Version	V5.5.42
API	ONVIF (PROFILE S, PROFILE G), CGI, ISAPI
Simultaneous Live View	Up to 20 channels
User/Host	Up to 32 users 3 levels: Administrator, Operator and User
Client	iVMS-4200, iVMS-4500, iVMS-5200, Hik-Connect
Web Browser	IE8+, Chrome 41.0-44, Firefox 30.0-51, Safari 8.0-11
Interface	
Audio	1 input (line in), 1 output (line out), mono sound
Alarm	2 inputs, 2 outputs (up to 12 VDC, 30mA)
Communication Interface	RS485, built-in RS232, 1 10M/100M Ethernet port
On-board storage	Built-in micro SD/SDHC/SDXC slot, up to 128 GB
Reset Button	Yes
Audio	
Environment Noise Filtering	Yes
Audio Sampling Rate	8kHz/16kHz/32kHz/44.1kHz/48kHz
General	

Operating Conditions	-30 °C to 60 °C (-22 °F to 140 °F), humidity 5% to 95% or less (non-condensing)
Power Supply	8 VDC to 36 VDC, two-core aviation plug, aviation plug adapter cable to 3.5 mm power, M8 PoE (802.3at, class4)
Power Consumption and Current	24 VDC, 0.7 A, max. 15 W, 8-36 VDC PoE (802.3at, 42.5 V to 57 V), 0.4 A to 0.3 A, max. 16 W
Protection Level	L80: IP66, IK10 L32: IP66 (2 mm: No)
Material	Metal
Dimensions	Main body: 135 × 107.8 × 30.4 mm (5.3" × 4.3" × 1.2")
Weight	Main body: approx. 450 g (1 lb.) With package: approx. 920 g (2 lb.)

Available Model

DS-2XM6425G0/F-C2M

DS-2XM6425G0/F-L32(2/2.8/4 mm) 2 m or 8 m cable optional

DS-2XM6425G0/F-L90(2/2.8/4 mm) 2 m or 8 m cable optional

DS-2XM6425G0/F-L80(2/2.8/4/6/8 mm) 2 m or 8 m cable optional



L32



L80



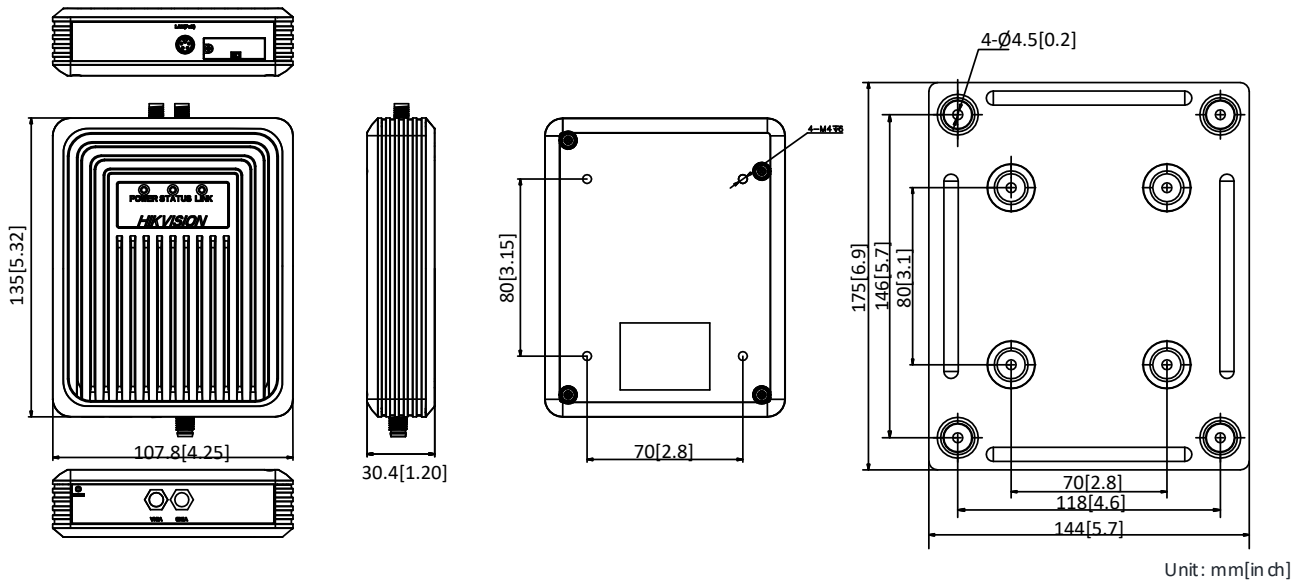
L90 (2.0mm)



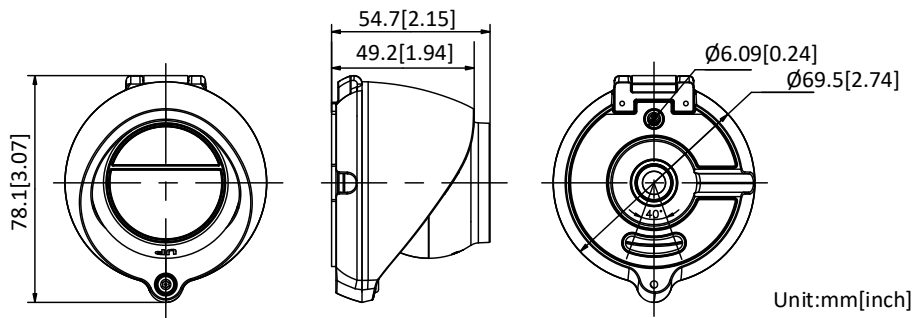
L90 (2.8mm, 4mm)

Dimension

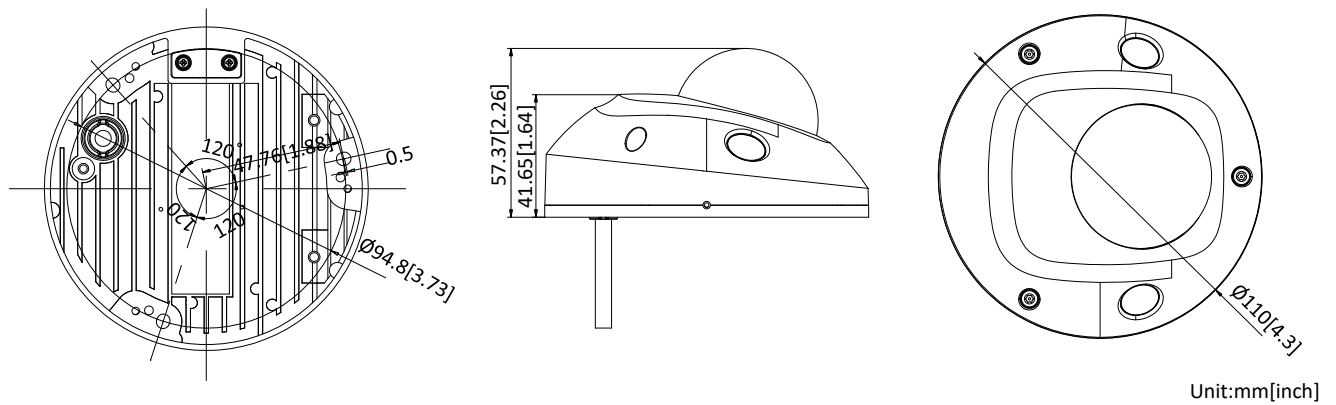
Main body:



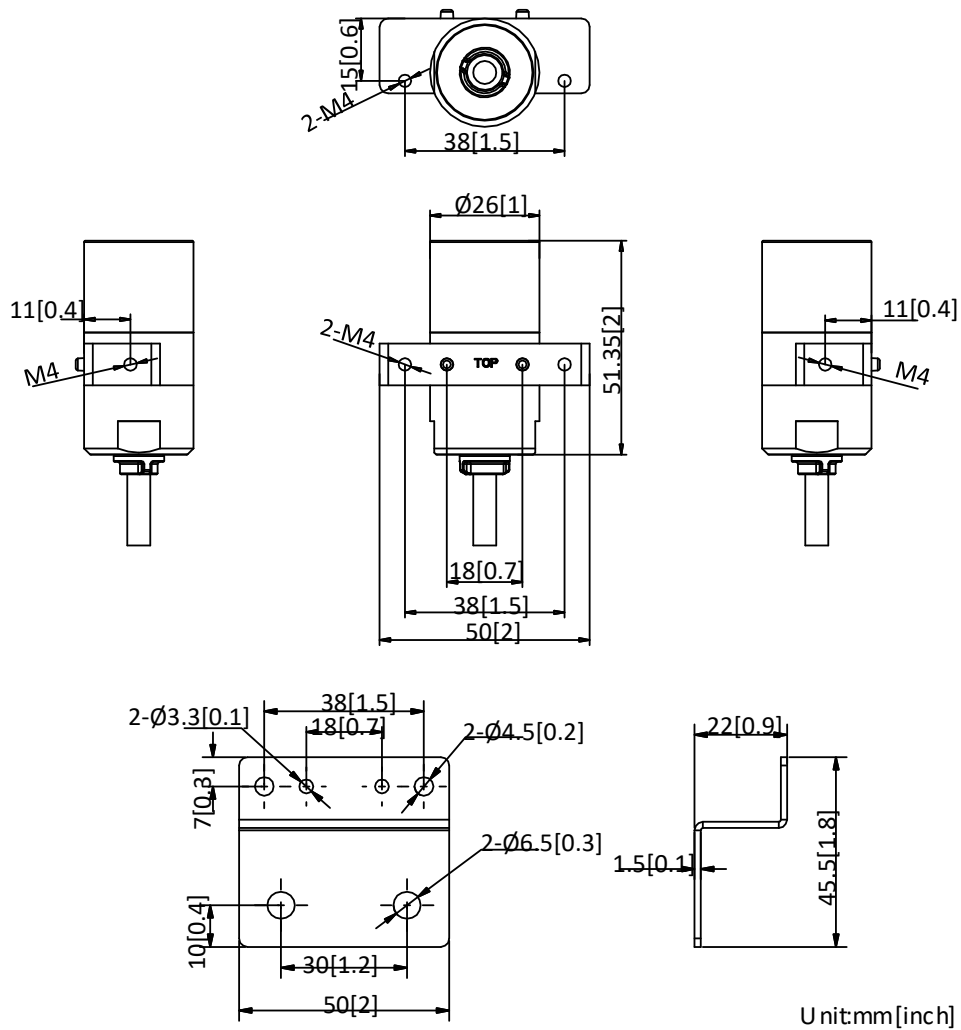
L90:



L80:



L32:



Distributed by

**HIKVISION®****Headquarters**

No.555 Qianmo Road, Binjiang District,
Hangzhou 310051, China
T +86-571-8807-5998
overseasbusiness@hikvision.com

Hikvision USA
T +1-909-895-0400
sales.usa@hikvision.com

Hikvision Australia
T +61-2-8599-4233
salesau@hikvision.com

Hikvision India
T +91-22-28469900
sales@pramahikvision.com

Hikvision Canada
T +1-866-200-6690
sales.canada@hikvision.com

Hikvision Thailand
T +662-275-9949
sales.thailand@hikvision.com

Hikvision Europe
T +31-23-5542770
sales.eu@hikvision.com

Hikvision Italy
T +39-0438-6902
info.it@hikvision.com

Hikvision Brazil
T +55 11 3318-0050
Latam.support@hikvision.com

Hikvision Turkey
T +90 (216)521 7070- 7074
sales.tr@hikvision.com

Hikvision Malaysia
T +601-7652-2413
sales.my@hikvision.com

Hikvision UK & Ireland
T +01628-902140
sales.uk@hikvision.com

Hikvision South Africa
Tel: +27 (10) 0351172
sale.africa@hikvision.com

Hikvision France
T +33(0)1-85-330-450
info.fr@hikvision.com

Hikvision Kazakhstan
T +7-727-9730667
nikia.panfilov@hikvision.ru

Hikvision Vietnam
T +84-974270888
sales.vt@hikvision.com

Hikvision UAE
T +971-4-4432090
salesme@hikvision.com

Hikvision Singapore
T +65-6684-4718
sg@hikvision.com

Hikvision Spain
T +34-91-737-16-55
info.es@hikvision.com

Hikvision Tashkent
T +99-87-1238-9438
uzb@hikvision.ru

Hikvision Hong Kong
T +852-2151-1761
info.hk@hikvision.com

Hikvision Russia
T +7-495-669-67-99
sateru@hikvision.com

Hikvision Korea
T +82-(0)31-731-8817
sales.korea@hikvision.com

Hikvision Poland
T +48-22-460-01-50
info.pl@hikvision.com

Hikvision Indonesia
T +62-21-2933759
Sales.Indonesia@hikvision.com

Hikvision Colombia
sales.colombia@hikvision.com