

DS-1473ZJ-155-Y

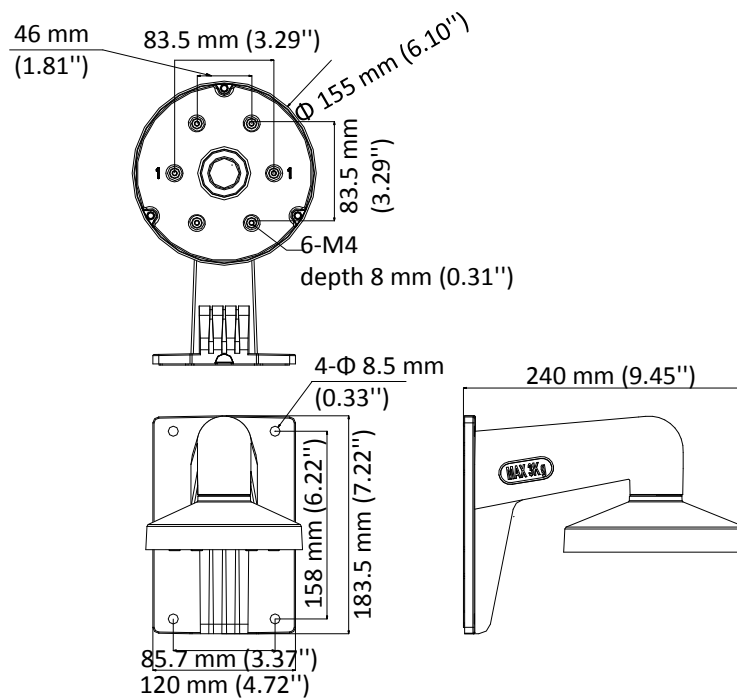
Wall Mount



Feature

- Aluminum alloy with surface spray treatment
- The cap facilitates the installation
- Adopts waterproof design

Dimension



Available Model

DS-1473ZJ-155-Y

Parameter

Model	DS-1473ZJ-155-Y
Parameters	Wall Mount
Appearance	Hikvision White
Material	ADC12
Dimension	$\Phi 155$ mm \times 183.5 mm \times 240 mm ($\Phi 6.10$ " \times 7.22" \times 9.45")
Weight	Approx. 650 g (1.4 lb.)

Note

- The mount should be installed on a flat surface.
- The wall should be capable of supporting at least 3 times as much as the total weight of the camera, and the mount.
- The maximum load capacity of the mount is 3 kg (6.6 lb.).