

DS-1619ZJ-HP2

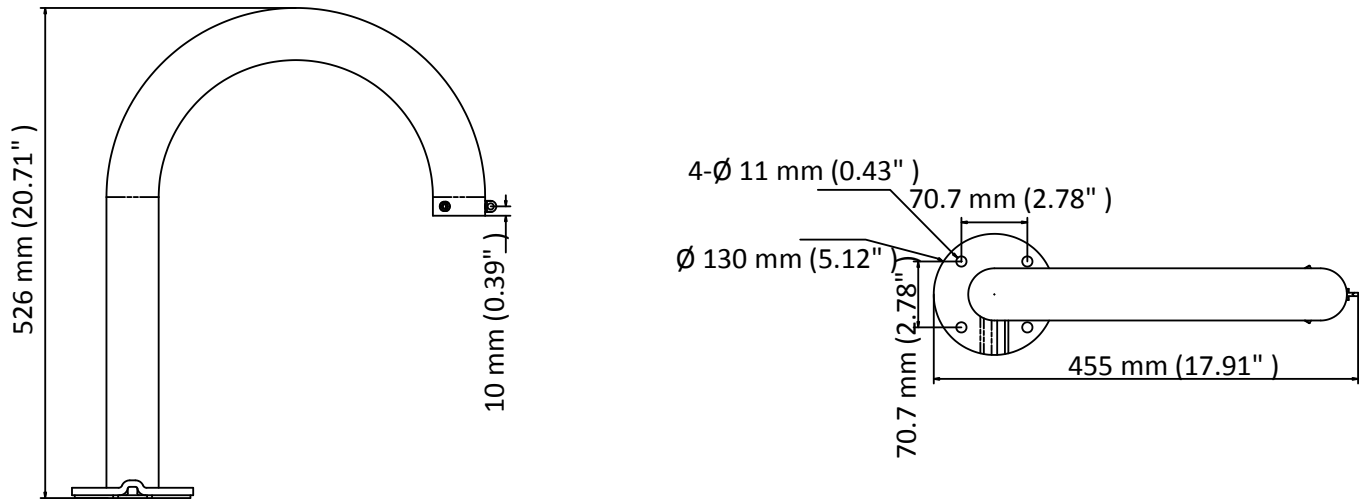
Gooseneck Mount



Feature

- Steel with surface spay treatment
- Convenient installation
- Cable hole design facilitates cable routing

Dimension



Available Model

DS-1619ZJ-HP2

Parameter

| | |
|------------|--|
| Model | DS-1619ZJ-HP2 |
| Parameters | Gooseneck Mount |
| Appearance | Platinum Gray |
| Material | Steel |
| Dimension | ∅ 130 mm × 455 mm × 526 mm (5.12" × 17.91" × 20.71") |
| Weight | 5200 g (12.46 lb.) |

Note

- Waterproof rubber is necessary for the outdoor application.
- The wall should be capable of supporting at least 3 times as much as the total weight of the camera, and the mount.
- The mount's maximum load capacity is 20 kg (44 lb.).