

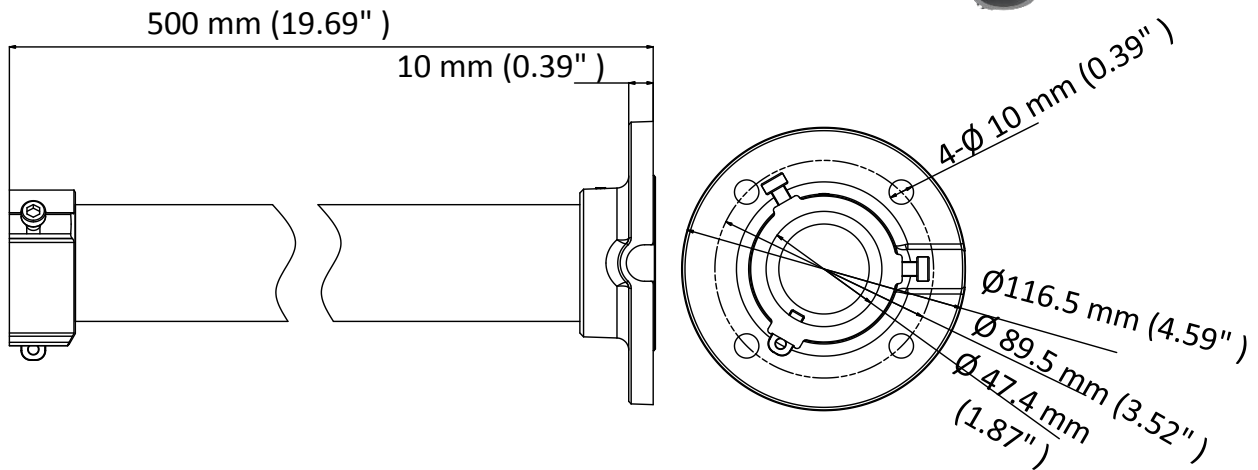
## DS-1662ZJ-P

### Pendant Mount

#### Feature

- Aluminum alloy with surface spray treatment
- Applies to both indoor conditions and outdoor conditions

#### Dimension



#### Available Model

DS-1662ZJ-P

#### Parameter

Model	DS-1662ZJ-P
Parameters	Pendant Mount
Appearance	Platinum Gray
Material	Aluminum Alloy
Dimension	Ø 116.5 mm × 500 mm (Ø 4.59" × 19.69")
Weight	960 g (2.12 lb.)

#### Note

- The mount should be installed on the flat surface.
- The waterproofing measures are necessary for the outdoor application.
- The wall must be capable of supporting at least 3 times as much as the total weight of the camera and the mount.
- The mount's maximum load capacity is 10 kg (22 lb.).