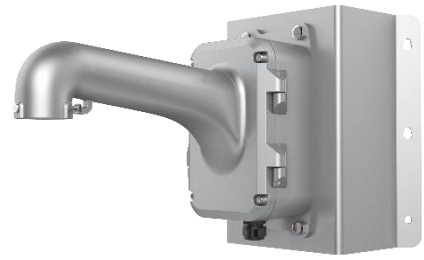


DS-1604ZJ-BOX-CORNER-P

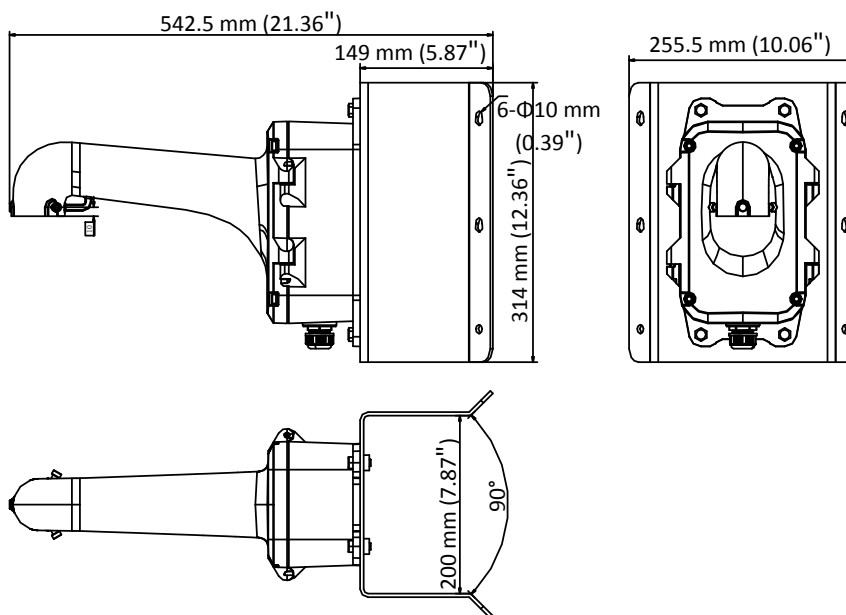
Corner Mount for Speed Dome



Feature

- Corner mount with the junction box
- Aluminum alloy and steel with surface spray treatment
- Bottom outlet, and back outlet
- Able to place the power adapter (24 VAC, 3 A) in the junction box
- The hook for safety rope facilitates speed dome's installation

Dimension



Available Model

DS-1604ZJ-BOX-CORNER-P

Parameter

Model	DS-1604ZJ-BOX-CORNER-P
Parameters	Corner Mount for Speed Dome
Appearance	Platinum Gray
Material	Aluminum Alloy and Steel
Dimension	542.5 mm × 255.5 mm × 200 mm (21.36" × 10.06" × 7.87")
Weight	6.2 kg (13.67 lb.)

Note

- The mount should be installed on the flat surface.
- Waterproof rubber is necessary for the outdoor application.
- The wall must be capable of supporting at least 3 times as much as the total weight of the speed dome, and the mount.
- The mount's maximum load capacity is 10 kg (22 lb.).