

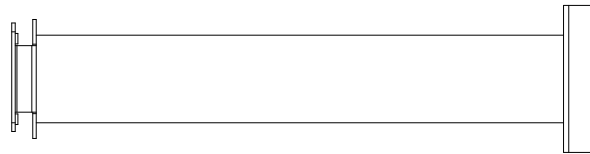
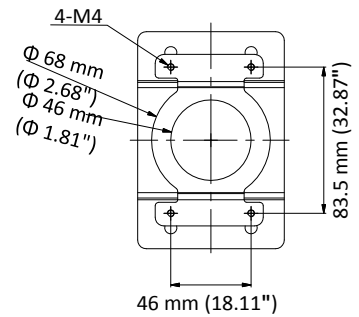
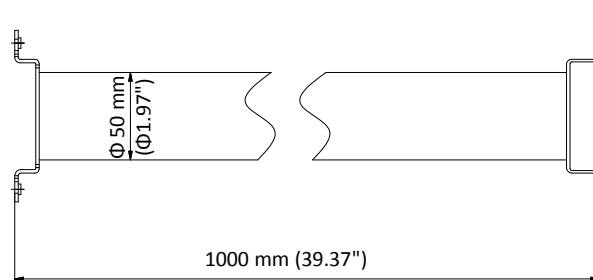
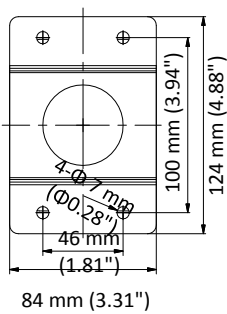
DS-1691ZJ-L

Pendant Mount

Features

- Steel with surface spray treatment
- With cable outlet(s)

Dimension



Available Model

DS-1691ZJ-L

Parameter

Model	DS-1691ZJ-L
Parameters	Pendant Mount
Appearance	Hikvision White
Material	Steel
Dimension	84 mm × 124 mm × 1000 mm (3.31" × 4.88" × 39.37")
Weight	2175 g (4.80 lb.)

Notes

- The mount should be installed on the flat surface.
- Waterproof rubber is necessary for the outdoor application.
- The wall must be capable of supporting at least 3 times as much as the total weight of the camera, and the mount.
- The maximum load capacity of the mount is 10 kg (22.05 lb.).

