

DS-2601ZJ-P

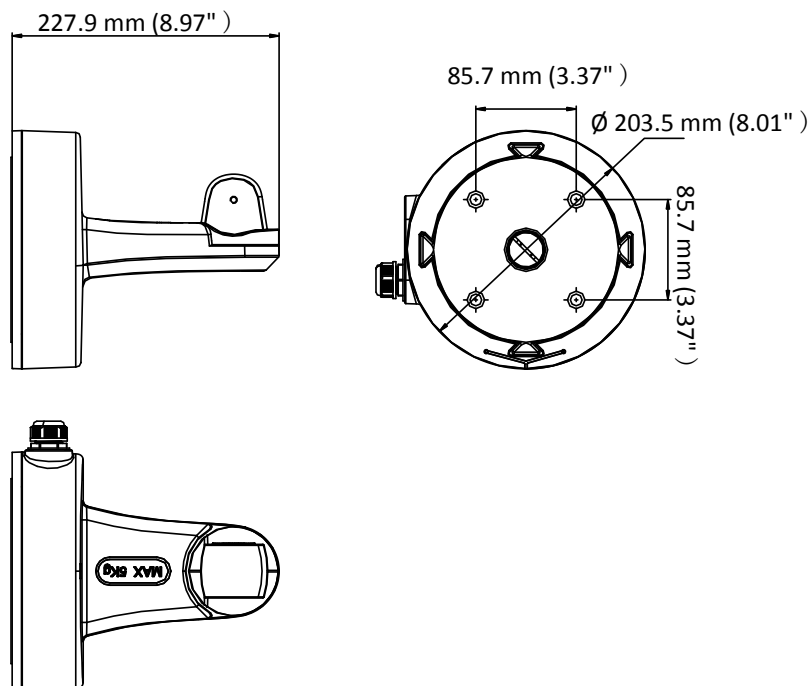
Wall Mount



Feature

- Plastic with surface spray treatment
- Adjustable tilt angle $\pm 40^\circ$, and pan angle $\pm 88^\circ$
- Junction box design facilitates cable routing
- Applies to target capture camera

Dimension



Available Model

DS-2601ZJ-P

Parameter

| | |
|------------|------------------------------------------------------------------------|
| Model | DS-2601ZJ-P |
| Parameters | Wall Mount |
| Appearance | Platinum Gray |
| Material | Aluminum Alloy |
| Dimension | $\Phi 203.5 \text{ mm} \times 227.9 \text{ mm}$ (8.01" \times 8.97") |
| Weight | 2890 g (6.37 lb.) |

Note

- The mount should be installed on the flat surface.
- The wall must be capable of supporting at least 3 times as much as the total weight of the camera, and the mount.
- The mount's maximum load capacity is 5 kg (11 lb.).