

GP-FE

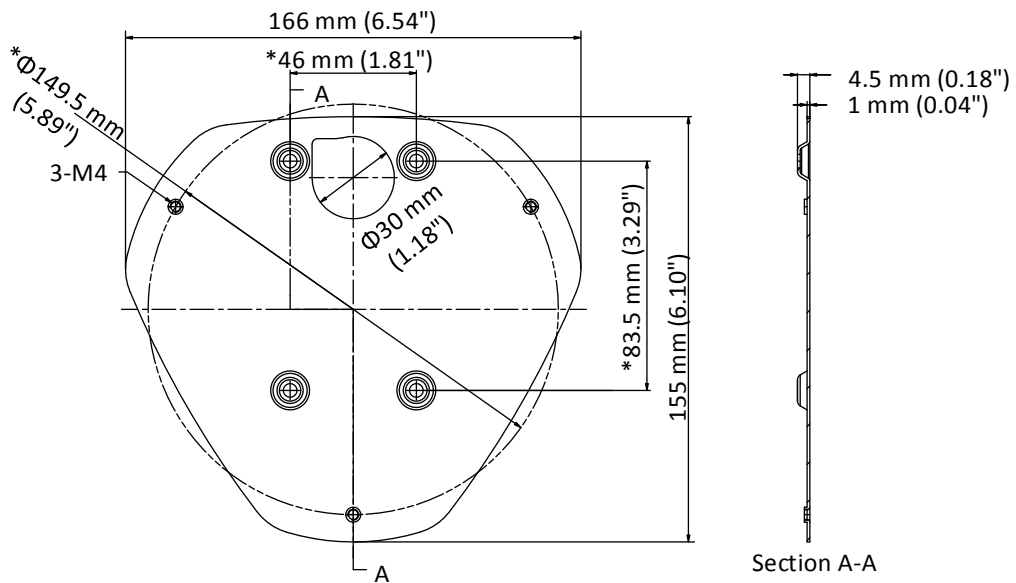
Gang Box for Junction Box



Feature

- SECC material, Hikvision white appearance
- Gang box for junction box
- Designed for Hikvision products
- Suitable for indoor and outdoor installation

Dimension



Available Model

GP-FE

Parameter

| Model | GP-FE |
|-------------|--|
| Parameters | Gang Box for Junction Box |
| Appearance | Hikvision White |
| Application | Suitable for indoor and outdoor installation |
| Material | SECC |
| Dimension | 166 mm × 155 mm × T1 mm (6.54" × 6.10" × T0.04") |
| Weight | Approx. 151 g (0.33 lb.) |

Note

- The gang box should be installed on a flat surface.
- Waterproof rubber is necessary for outdoor application.
- The wall should be capable of supporting at least 3 times the total weight of the camera and the accessories.
- The maximum load capacity of the gang box is 5 kg (11.02 lb.).