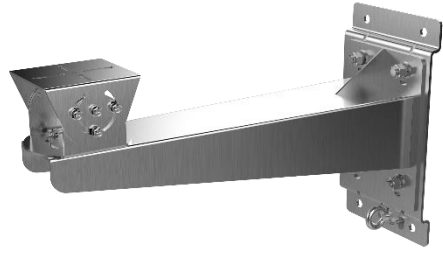


## DS-1707ZJ-Y

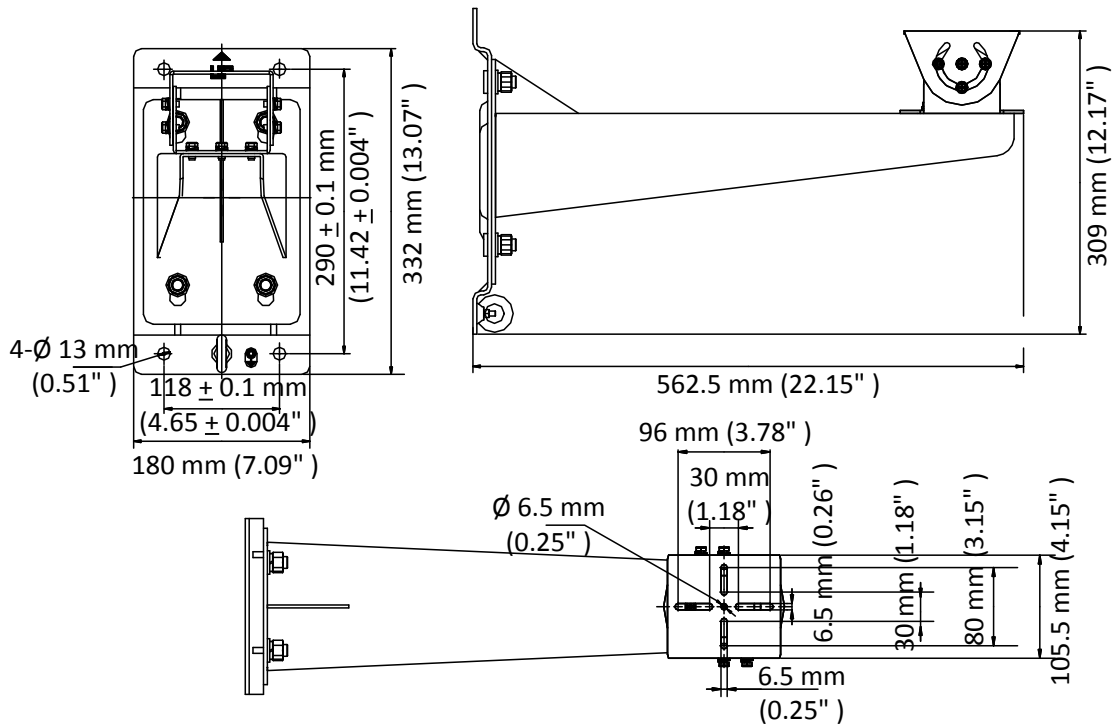
Wall Mount for Explosion-Proof Bullet Camera



### Feature

- Stainless steel
- Waterproof design

### Dimension



### Available Model

DS-1707ZJ-Y

### Parameter

Model	DS-1707ZJ-Y
Parameters	Wall Mount for Explosion-Proof Bullet Camera
Appearance	Natural Stainless Steel Color
Material	SUS316L Stainless Steel
Dimension	562.5 mm × 180 mm × 309 mm (22.15" × 7.09" × 12.17" )
Weight	7.02 kg (15.48 lb.)

### Note

- The mount should be installed on the flat surface.
- The waterproof rubber is necessary for the outdoor application.
- The wall must be capable of supporting at least 8 times as much as the total weight of the camera and the mount.
- The mount's maximum load capacity is 50 kg (110 lb.).