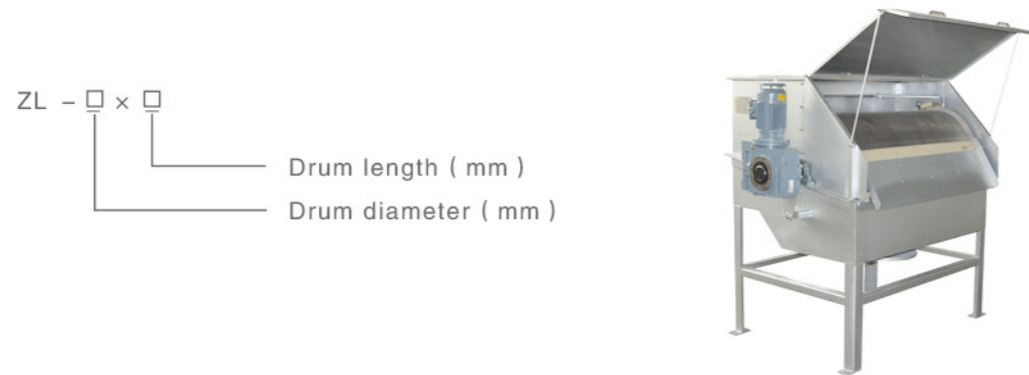


## ZL Rotary Drum Filter

### Product Introduction

Spektra Type ZL Drum Filter is one of the pretreatment solid separating devices used for small and medium wastewater treatment plants, and a device which can remove solid suspended matter continuously and effectively. In some wastewater treatments, 30% to 60% of the organic inorganic solid suspended matter will be removed after filtering, and reducing greatly the subsequent work load.

### Model display

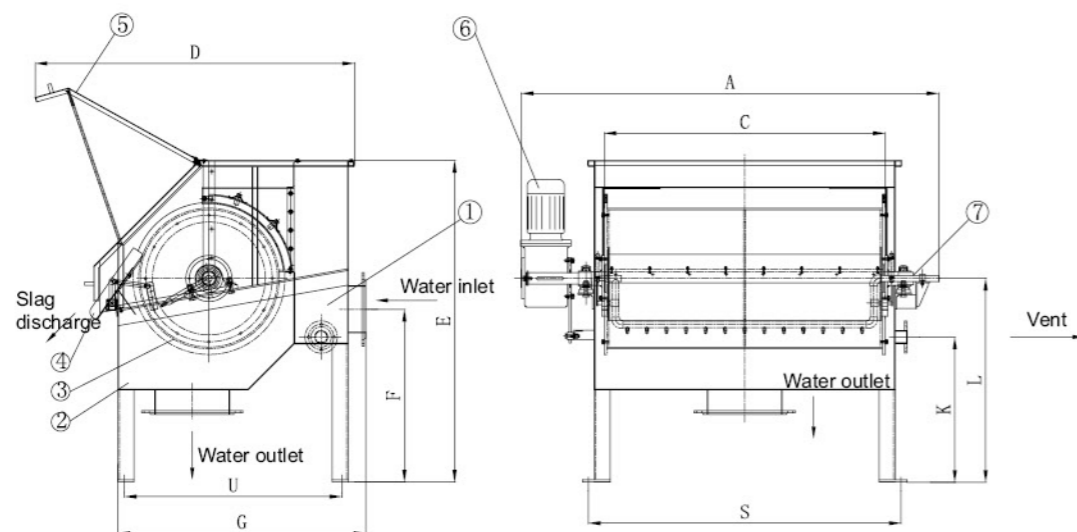


### Features

1. Simple structure, high reliability.
2. Compact structure, small covering area.
3. The surface of the drum is made of wedge grid, and has excellent hydraulic characteristics.

### Installation size figure shape

1, water storage warehouse 2, framework, 3, drum 4, slag board 5, inspection door 6, motor reducer, 7, backwashing water imports



### Technical Model Data

Model	water inlet pipe	water outlet pipe	washing pipe	A	C	D	E	F	G	H	K	L	S	U
ZL350 × 600	DN100	DN150	DN15	1160	600	950	1470	1080	700	1055	985	1140	676	550
ZL610 × 610	DN150	DN200	DN15	1250	610	1550	1600	980	1175	940	841	1091	806	995
ZL610 × 1220	DN200	DN250	DN20	1835	1220	1550	1300	680	1179	604	541	791	1416	995
ZL610 × 1830	DN250	DN300	DN25	2445	1830	1550	1600	980	1175	940	841	1091	2026	995
ZL800 × 1830	DN300	DN350	DN25	2510	1830	1830	2280	1545	1240	1450	1388	1670	2026	1050

Grid gap (mm)	0.25	0.5	0.75	1	1.5	2.5	Diameter of Drum (mm)	Length of Drum (mm)	Power (KW)
Model	Capacity (m <sup>3</sup> /h)								
ZL350 × 600	8	15	20	25	32	42	350	600	0.25
ZL610 × 610	33	60	81	100	130	170	610	610	0.55
ZL610 × 1220	65	120	162	200	260	340	610	1220	0.75
ZL610 × 1830	100	180	243	306	397	520	610	1830	0.75
ZL800 × 1830	175	315	436	535	695	912	800	1830	1.1

Note: For the model, screen gap is more than 1 mm, the diameters of inlet & outlet pipe must be checked.



scraper



Drum filter installation diagram