



VK Series PM-VK4102

Made of heavy gauge steel , suitable for heavy duty use and prolonged operational life, the ideal choice for reliability and perfect platform for any EPoS terminal also the ideal base for large size ECR.



Durable Metal Wire Gripper Bill Holder
Tested over one million operations

Easy and comfortable operation. Human
Engineering Design

Removable cash tray



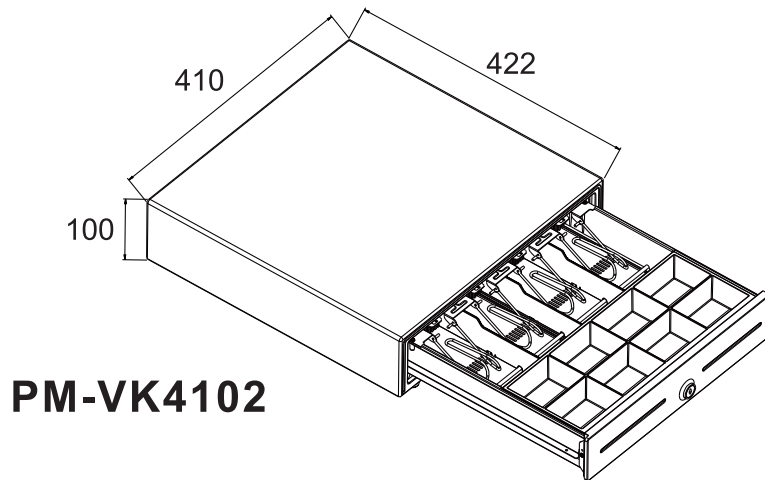
Media Slot Inside Cash Tray

PM-VK4102 Specifications

MODEL NUMBER	PM-VK4102
PHYSICAL	
Dimension	410(W)x420(D)x100(H)mm
Construction	Thick gauge cold rolled steel & SECC
Finish	Textured hybrid powder coat
Color	Black, Beige and Custom type
Roller	Polyurethane for smooth operation
CASH TRAY (INSERT)	
Construction	Shatter-resistant plastic
Currency Layout	4,5,6,8-Bill with Metal Metal wire grips, 5,8 Removable Coin Slots
Media Slots	1
OPERATION	
Drawer Lock	3-Position lock / 4-Functions: locked open/closed, manual open, electronically driven
Interface	RJ11, RJ12, USB, RS232, DC Φ 2.5 /3.5 Jack, custom type
Lifecycle	MTBF 1,000,000 times +
Micro Switch	Cash Drawer Status Micro Switch

OPTION	ACCESSORIES	
	Part Number	Description
Micro-switch		
Cash tray with different currency layout	Bracket-4000	Under Mounting brackets
Different color	DT-100U	USB Trigger
Different interfaces	DT-100RS	Serial Interface Trigger

Packing Details			
Models	Net Weight(kg)	Gross Weight(kg)	Carton Size(cm)
PM-VK4102	7.2	8.3	47.0 x 48.0 x 17.0



SurfTeK Innovation Sdn Bhd

97-2, Jalan Radin Bagus
Bandar Baru Sri Petaling,
57000 Kuala Lumpur
Malaysia

Tel: +603-9058 2223
Fax: +603-9059 5088

Specifications are subjected to change without notice.

