



PM-FT460S

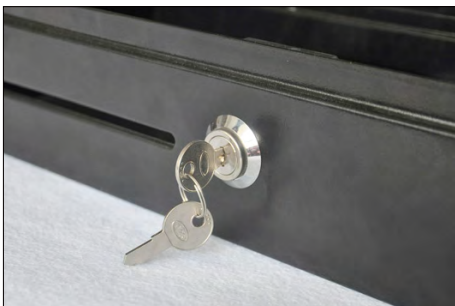
Is the standard flip top cash drawer, which is very popular in compact retail environment, various interfaces available for POS terminal.



Stainless Top



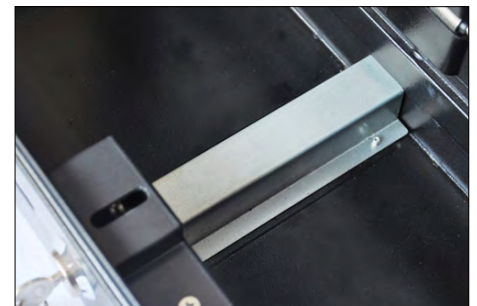
Unit with Lockable Tray Lid



Decorated Lock



Removable Interface



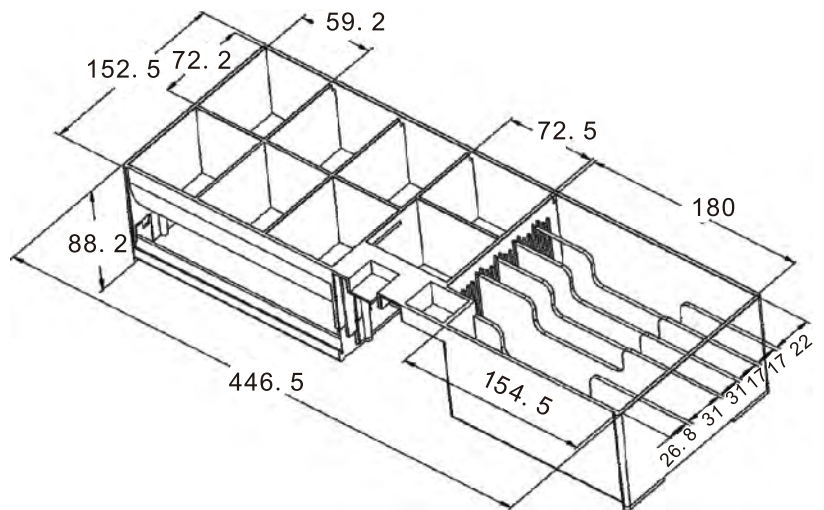
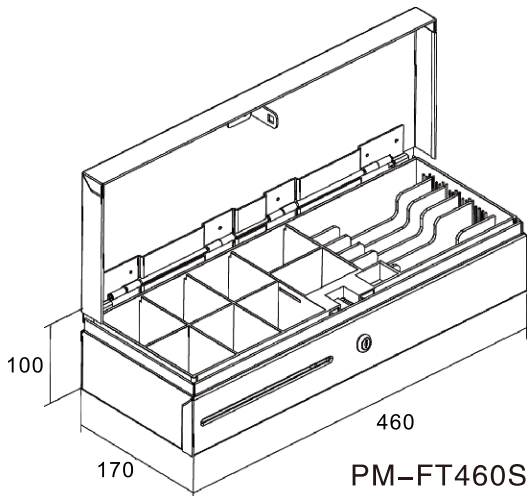
Cable Cover

PM-FT460S Specifications

MODEL NUMBER	PM-FT460S
PHYSICAL	
Dimension	460 (W)x170 (D)x100 (H)mm
Construction	Thick gauge cold rolled steel & SECC
Finish	Textured hybrid powder coat
Color	Black, Beige and Custom type
CASH TRAY (INSERT)	
Construction	Shatter-resistant plastic
Currency Layout	6-Bill, 8-Coin Slots
Media Slots	1
OPERATION	
Lock	2-Position lock: locked open/ closed, manual open, electronically driven
Interface	RJ11, RJ12, USB, RS232, DC Φ 2.5 /3.5 Jack, custom type
Lifecycle	MTBF 1,000,000 times +
Micro Switch	Cash Drawer Status Micro Switch

OPTION	ACCESSORIES	
	Part Number	Description
Stainless Steel Front		
Cash tray with different currency layout	Tray-460FT	Cash Tray
Different color	Cover-460FT	Lockable Cover for Tray-460FT
Different interfaces		

Packing Details			
Models	Net Weight(kg)	Gross Weight(kg)	Carton Size(cm)
PM-FT460S	5	5.5	51.0 x 22.0 x 14.0



Specifications are subjected to change without notice.

SurfTeK Innovation Sdn Bhd

97-2, Jalan Radin Bagus
Bandar Baru Sri Petaling,
57000 Kuala Lumpur
Malaysia

Tel: +603-9058 2223
Fax: +603-9059 5088

