

POSEIDON

TEXTILE PRINTER

1.6m DYE SUBLIMATION

- Print speed 80~115m²/h (Kyocera printheads)
- Sleep mode applied for un-attended operation
- Up to 6 color channels (fluorescent and light colors)

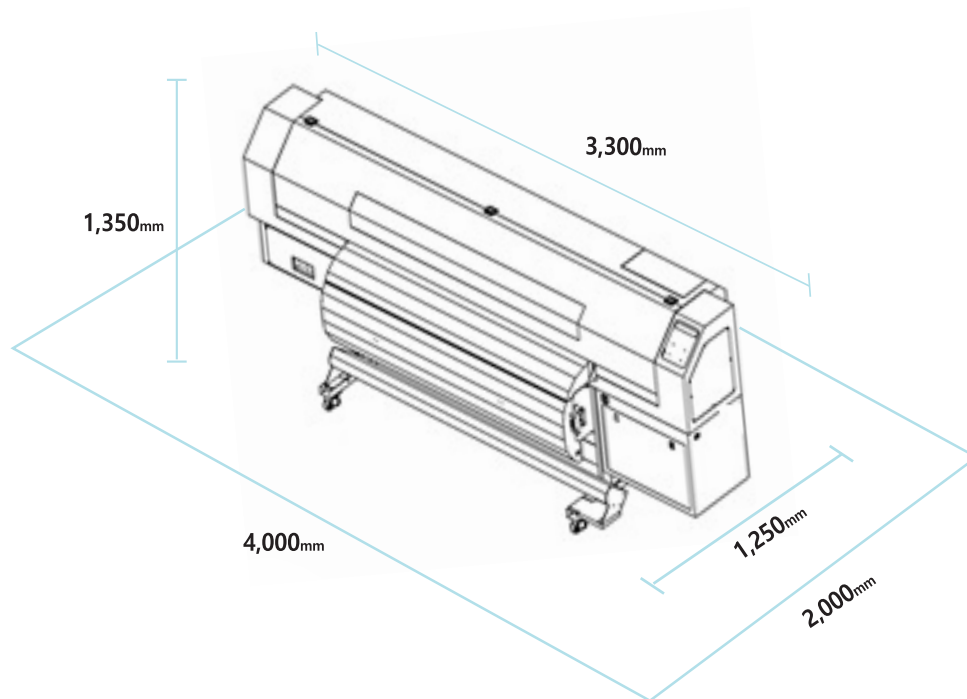


Print Speed	115m ² /hr	80m ² /hr	55m ² /hr	40m ² /hr
Print Resolution	600 x 600dpi 2Pass	600 x 600dpi 4Pass	600 x 900dpi 6Pass	600 x 1,200dpi 8Pass
Max Print Width	1,620mm			
Max Media Load	200mm / 30kg			
Print Mode	Bi-Direction / Uni-Direction , Normal / Interleave			
Printhead	Kyocera printhead - 2 ea / 3ea			
Color	4 Colors (K, C, M, Y) / 6 Colors (K, C, M, Y + Lm, Lc / Fy, Fp)			
Ink	DGI original water based dye sublimation ink			
Interface	TCP / IP, USB 3.0			
Environmental Range	Temperature : 20~29°C		Humidity : 40~70%	
	Environment condition may affect on the final printing quality.			
Electricity Requirements	Printer : Single Phase 220V (50/60Hz, AC), 15A External dryer : Single Phase 220V (50/60Hz, AC), 10A			
Applications	Clothes / Sportswear / Shoes			

※ All specifications are subject to change without notice.

Dimension for Installation

	Uncrated				Crated			
	Length (mm)	Width (mm)	Height (mm)	Weight (kg)	Length (mm)	Width (mm)	Height (mm)	Weight (kg)
Printer	3,300	1,250	1,350	440	3,500	1,150	1,700	660



ARTWORLD TECHNOLOGY SDN BHD

Tel: [HQ] 03-9172 5411
[JB] 07-5586 003
[KK] 088-6750 88

Email: enquiry@artworld.net.my
Website: www.artworld.net.my
Estore: www.artworldstore.com



ISO 9001:14001 Certified