

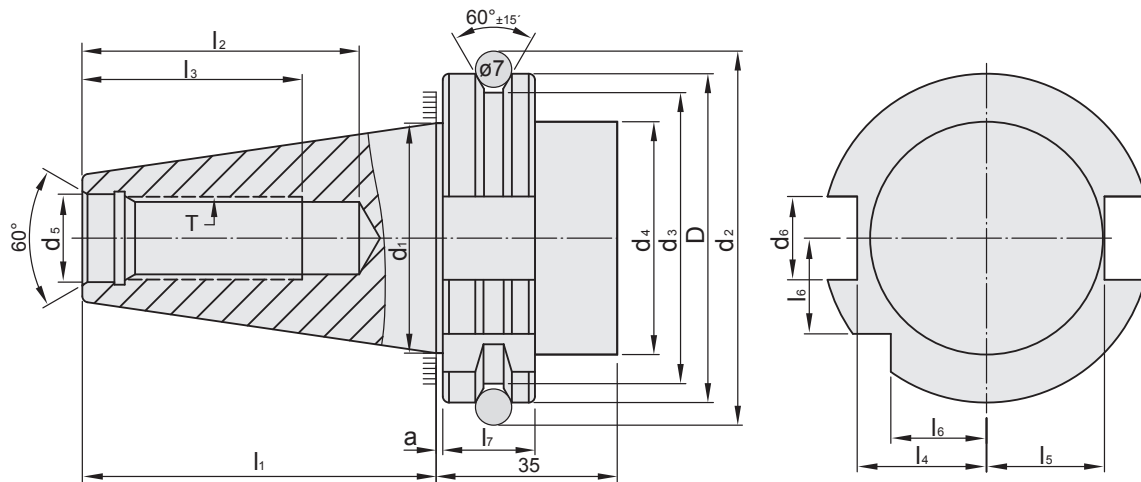
# SDAT CATEGORY

PRO-E COLLET CHUCK	F-3~4
UT COLLET CHUCK	F-5~6
ER COLLET CHUCK	F-7~8
ER COLLET CHUCK [M TYPE]	F-9
SKX COLLET CHUCK	F-10~11
SK3 COLLET CHUCK	F-12
SKS COLLET CHUCK	F-13
SBL SLIM-FIT COLLET CHUCK	F-14
SBLC SLIM-FIT COLLET CHUCK	F-15
EBL SLIM-FIT COLLET CHUCK	F-16
HBL SLIM-FIT COLLECT CHUCK	F-17
MLD MULTI-LOCK MILLING CHUCK	F-18
SLN SIDE LOCK END MILL HOLDER	F-19
FACE MILL ARBOR [FMB TYPE]	F-20
FACE MILL ARBOR [FMC TYPE]	F-21
QTC QUICK CHANGE TAPPING CHUCK	F-22
MORSE TAPER ADAPTER	F-23
ADAPTER	F-24

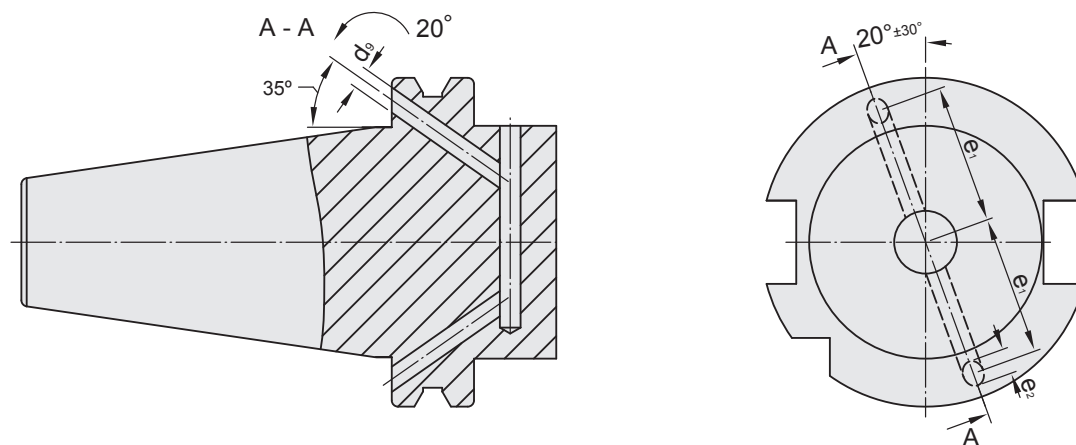
# REFERENCE DETAILS

- ▶ Taper tolerance < **AT3**
- ▶ Hardness > **HRC 56°**
- ▶ Surface roughness: Ra < **0.25 μm**
- ▶ Roundness < **0.8 μm**
- ▶ Carbon depth > **0.8mm**
- ▶ The shank has pre-balance at G6.3, and can provide precision balance at G2.5. It can be ordered by request.

## SDAT A



## SDAT AD+B

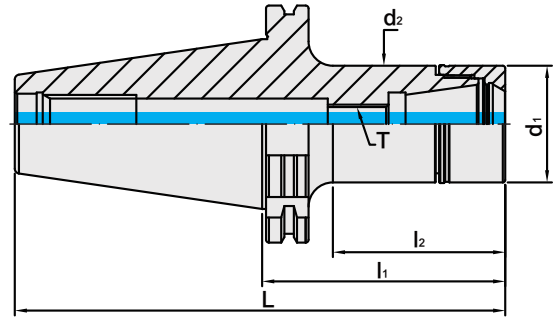


SDAT	D 0 -0.1	d <sub>1</sub>	d <sub>2</sub> ±0.05	d <sub>3</sub> 0 -0.5	d <sub>4</sub> max	d <sub>5</sub> H7	d <sub>6</sub> H12	d <sub>9</sub>	e <sub>1</sub> ±0.1	e <sub>2</sub> max
40	63.55	44.45	72.30	56.25	50	17	16.1	4	27	5
50	97.50	69.85	107.25	91.25	80	25	25.7	6	42	7
SDAT	l <sub>1</sub> 0 -0.3	l <sub>2</sub> min	l <sub>3</sub> min	l <sub>4</sub> 0 -0.4	l <sub>5</sub> 0 -0.4	l <sub>6</sub> 0 -0.3	l <sub>7</sub> +0.01 0	a 0 -0.005	T	
40	68.4	42.5	32	25	22.8	18.5	18.1	1	M16	
50	101.75	61.5	47	37.7	35.5	30	17.6	1.5	M24	

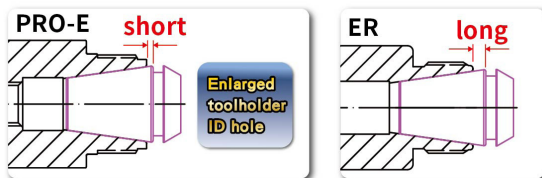
# SDAT / PRO-E COLLET CHUCK

Dual  
DRIVE+

SDAT / PRO-E 法蘭加厚型筒夾式刀桿



MODEL NO.	TYPE	L	l <sub>1</sub>	l <sub>2</sub>	d <sub>1</sub>	d <sub>2</sub>	T	SIZE RANGE	WEIGHT (KGS)
5066-529-016-070	SDAT40 x PRO-E16 - 70	138.4	70	45.9	30	30	M10 x 1.5P	1 ~ 10	1.03
5066-529-016-100	SDAT40 x PRO-E16 - 100	168.4	100	75.9	30	30	M10 x 1.5P	1 ~ 10	1.16
5066-529-016-125	SDAT40 x PRO-E16 - 125	193.4	125	100.9	30	30	M10 x 1.5P	1 ~ 10	1.27
5066-529-016-150	SDAT40 x PRO-E16 - 150	218.4	150	125.9	30	30	M10 x 1.5P	1 ~ 10	1.37
5066-529-016-200	SDAT40 x PRO-E16 - 200	268.4	200	175.9	30	30	M10 x 1.5P	1 ~ 10	1.59
5066-529-020-070	SDAT40 x PRO-E20 - 70	138.4	70	45.9	35	35	M12 x 1.75P	1 ~ 13	1.10
5066-529-020-100	SDAT40 x PRO-E20 - 100	168.4	100	75.9	35	35	M12 x 1.75P	1 ~ 13	1.29
5066-529-020-125	SDAT40 x PRO-E20 - 125	193.4	125	100.9	35	35	M12 x 1.75P	1 ~ 13	1.44
5066-529-020-150	SDAT40 x PRO-E20 - 150	218.4	150	125.9	35	35	M12 x 1.75P	1 ~ 13	1.60
5066-529-020-200	SDAT40 x PRO-E20 - 200	268.4	200	175.9	35	35	M12 x 1.75P	1 ~ 13	1.91
5066-529-025-070	SDAT40 x PRO-E25 - 70	138.4	70	45.9	42	42	M16 x 2.0P	1 ~ 16	1.20
5066-529-025-100	SDAT40 x PRO-E25 - 100	168.4	100	75.9	42	42	M16 x 2.0P	1 ~ 16	1.48
5066-529-025-125	SDAT40 x PRO-E25 - 125	193.4	125	100.9	42	42	M16 x 2.0P	1 ~ 16	1.72
5066-529-025-150	SDAT40 x PRO-E25 - 150	218.4	150	125.9	42	42	M16 x 2.0P	1 ~ 16	1.95
5066-529-025-200	SDAT40 x PRO-E25 - 200	268.4	200	175.9	42	42	M16 x 2.0P	1 ~ 16	2.43
5066-529-032-070	SDAT40 x PRO-E32 - 70	138.4	70	50.1	50	50	M16 x 2.0P	2 ~ 20	1.26
5066-529-032-100	SDAT40 x PRO-E32 - 100	168.4	100	80.1	50	50	M16 x 2.0P	2 ~ 20	1.66
5066-529-032-125	SDAT40 x PRO-E32 - 125	193.4	125	105.1	50	50	M16 x 2.0P	2 ~ 20	1.99
5066-529-032-150	SDAT40 x PRO-E32 - 150	218.4	150	130.1	50	50	M16 x 2.0P	2 ~ 20	2.32
5066-529-032-200	SDAT40 x PRO-E32 - 200	268.4	200	180.1	50	50	M16 x 2.0P	2 ~ 20	2.99



**Features:**

- ▶ Superior interchangeability with ER collets.
- ▶ Assembled with ER spring collet (15µm, 10µm, 5µm), ERS metallic sealed collet (10µm, 5µm, 3µm) and ERS coolant FOD collet (10µm, 5µm, 3µm).
- ▶ The design of enlarged holder ID hole optimizes the coverage of ER collet, shortens the tool overhanging length, and improves runout accuracy and machining stability.
- ▶ The design of straight parts above and below the thread makes PRO-E tool holders have better contact with clamping nuts to achieve higher| runout accuracy.
- ▶ PRO-E nuts without slots reduce the wind shear at high speed.

**Product information:**

- ▶ Balance: G2.5 25,000 rpm. Higher balancing grade and revolution can be done upon request but additional charge is needed.
- ▶ AD+B type is available, please inform us when making an order.

**Standard Accessory: • NUT**

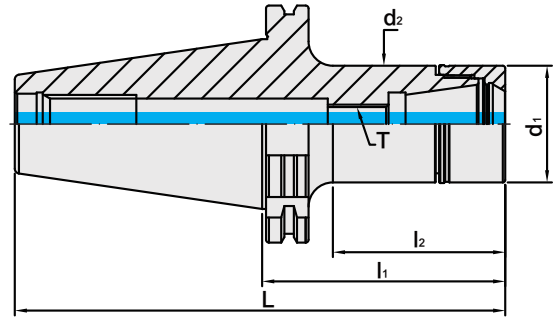
Collet	Nut	Pull Stud	Preset Screw	Spanner	Torque Wrench Adapter (Pull Stud)	Spanner (Pull Stud)
P.W-11~34	P.W-54	P.W-70	P.W-107	P.W-75、77、81	P.W-78	P.W-82



# SDAT / PRO-E COLLET CHUCK

Dual  
DRIVE+

SDAT / PRO-E 法蘭加厚型筒夾式刀桿



MODEL NO.	TYPE	L	l <sub>1</sub>	l <sub>2</sub>	d <sub>1</sub>	d <sub>2</sub>	T	SIZE RANGE	WEIGHT (KGS)
5067-529-016-070	SDAT50 x PRO-E16 - 70	171.75	70	45.9	30	30	M10 x 1.5P	1 ~ 10	2.79
5067-529-016-100	SDAT50 x PRO-E16 - 100	201.75	100	75.9	30	30	M10 x 1.5P	1 ~ 10	2.91
5067-529-016-125	SDAT50 x PRO-E16 - 125	226.75	125	95.9	30	30	M10 x 1.5P	1 ~ 10	3.03
5067-529-016-150	SDAT50 x PRO-E16 - 150	251.75	150	120.9	30	30	M10 x 1.5P	1 ~ 10	3.14
5067-529-016-200	SDAT50 x PRO-E16 - 200	301.75	200	170.9	30	30	M10 x 1.5P	1 ~ 10	3.35
5067-529-016-250	SDAT50 x PRO-E16 - 250	351.75	250	220.9	30	30	M10 x 1.5P	1 ~ 10	3.56
5067-529-020-070	SDAT50 x PRO-E20 - 70	171.75	70	45.9	35	35	M12 x 1.75P	1 ~ 13	2.85
5067-529-020-100	SDAT50 x PRO-E20 - 100	201.75	100	75.9	35	35	M12 x 1.75P	1 ~ 13	3.04
5067-529-020-125	SDAT50 x PRO-E20 - 125	226.75	125	95.9	35	35	M12 x 1.75P	1 ~ 13	3.21
5067-529-020-150	SDAT50 x PRO-E20 - 150	251.75	150	120.9	35	35	M12 x 1.75P	1 ~ 13	3.36
5067-529-020-200	SDAT50 x PRO-E20 - 200	301.75	200	170.9	35	35	M12 x 1.75P	1 ~ 13	3.67
5067-529-020-250	SDAT50 x PRO-E20 - 250	351.75	250	220.9	35	35	M12 x 1.75P	1 ~ 13	3.98
5067-529-025-070	SDAT50 x PRO-E25 - 70	171.75	70	45.9	42	42	M16 x 2.0P	1 ~ 16	2.95
5067-529-025-100	SDAT50 x PRO-E25 - 100	201.75	100	75.9	42	42	M16 x 2.0P	1 ~ 16	3.19
5067-529-025-125	SDAT50 x PRO-E25 - 125	226.75	125	95.9	42	42	M16 x 2.0P	1 ~ 16	3.41
5067-529-025-150	SDAT50 x PRO-E25 - 150	251.75	150	120.9	42	42	M16 x 2.0P	1 ~ 16	3.61
5067-529-025-200	SDAT50 x PRO-E25 - 200	301.75	200	170.9	42	42	M16 x 2.0P	1 ~ 16	4.01
5067-529-025-250	SDAT50 x PRO-E25 - 250	351.75	250	220.9	42	42	M16 x 2.0P	1 ~ 16	4.41
5067-529-032-070	SDAT50 x PRO-E32 - 70	171.75	70	45.9	50	50	M16 x 2.0P	2 ~ 20	3.06
5067-529-032-100	SDAT50 x PRO-E32 - 100	201.75	100	75.9	50	50	M16 x 2.0P	2 ~ 20	3.43
5067-529-032-125	SDAT50 x PRO-E32 - 125	226.75	125	95.9	50	50	M16 x 2.0P	2 ~ 20	3.76
5067-529-032-150	SDAT50 x PRO-E32 - 150	251.75	150	120.9	50	50	M16 x 2.0P	2 ~ 20	4.08
5067-529-032-200	SDAT50 x PRO-E32 - 200	301.75	200	170.9	50	50	M16 x 2.0P	2 ~ 20	4.70
5067-529-032-250	SDAT50 x PRO-E32 - 250	351.75	250	220.9	50	50	M16 x 2.0P	2 ~ 20	5.32

**Features:**

- ▶ Superior interchangeability with ER collets.
- ▶ Assembled with ER spring collet (15µm, 10µm, 5µm), ERS metallic sealed collet (10µm, 5µm, 3µm) and ERS coolant FOD collet (10µm, 5µm, 3µm).
- ▶ The design of enlarged holder ID hole optimizes the coverage of ER collet, shortens the tool overhanging length, and improves runout accuracy and machining stability.
- ▶ The design of straight parts above and below the thread makes PRO-E tool holders have better contact with clamping nuts to achieve higher runout accuracy.
- ▶ PRO-E nuts without slots reduce the wind shear at high speed.

**Product information:**

- ▶ Balance: G2.5 25,000 rpm. Higher balancing grade and revolution can be done upon request but additional charge is needed.
- ▶ AD+B type is available, please inform us when making an order.

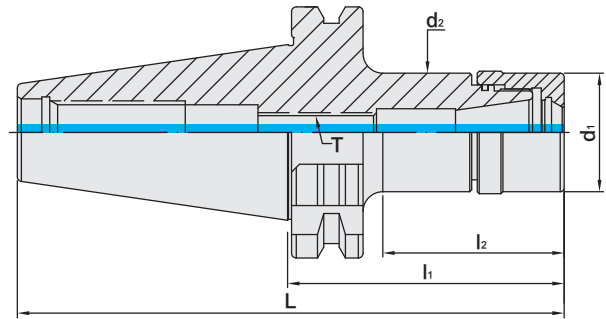
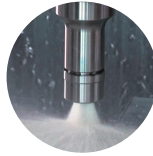
**Standard Accessory: • NUT**

Collet	Nut	Pull Stud	Preset Screw	Spanner	Torque Wrench Adapter (Pull Stud)	Spanner (Pull Stud)
P.W-11~34	P.W-54	P.W-70	P.W-107	P.W-75、77、81	P.W-78	P.W-82

# SDAT / UT COLLET CHUCK



## SDAT / UT 法蘭加厚型立銑刀夾頭



TW PAT NO. M298033  
 TW PAT NO. M311791  
 J P PAT NO. 3128766  
 K R PAT NO. 20-0433603  
 C N PAT NO. ZL200620132661.0  
 C H PAT NO. 696550  
 T R PAT NO. TR 2007 02942 Y  
 I T PAT NO. N.0000266731

MODEL NO.	TYPE	L	l <sub>1</sub>	l <sub>2</sub>	d <sub>1</sub>	d <sub>2</sub>	T	SIZE RANGE	WEIGHT (KGS)
5066-753-016-070	SDAT40 x UT16 - 70	138.4	70	45.9	30	30	M10 x 1.5P	1 ~ 10	1.03
5066-753-016-100	SDAT40 x UT16 - 100	168.4	100	75.9	30	30	M10 x 1.5P	1 ~ 10	1.16
5066-753-016-125	SDAT40 x UT16 - 125	193.4	125	100.9	30	30	M10 x 1.5P	1 ~ 10	1.27
5066-753-016-150	SDAT40 x UT16 - 150	218.4	150	125.9	30	30	M10 x 1.5P	1 ~ 10	1.37
5066-753-020-070	SDAT40 x UT20 - 70	138.4	70	45.9	35	36	M12 x 1.75P	1 ~ 13	1.10
5066-753-020-100	SDAT40 x UT20 - 100	168.4	100	75.9	35	36	M12 x 1.75P	1 ~ 13	1.30
5066-753-020-125	SDAT40 x UT20 - 125	193.4	125	100.9	35	36	M12 x 1.75P	1 ~ 13	1.46
5066-753-020-150	SDAT40 x UT20 - 150	218.4	150	125.9	35	36	M12 x 1.75P	1 ~ 13	1.63
5066-753-025-070	SDAT40 x UT25 - 70	138.4	70	45.9	42	42	M16 x 2.0P	1 ~ 16	1.16
5066-753-025-100	SDAT40 x UT25 - 100	168.4	100	75.9	42	42	M16 x 2.0P	1 ~ 16	1.45
5066-753-025-150	SDAT40 x UT25 - 150	218.4	150	125.9	42	42	M16 x 2.0P	1 ~ 16	1.92
5066-753-032-070	SDAT40 x UT32 - 70	138.4	70	50.1	48	48	M16 x 2.0P	2 ~ 20	1.19
5066-753-032-100	SDAT40 x UT32 - 100	168.4	100	80.1	48	48	M16 x 2.0P	2 ~ 20	1.58
5066-753-032-125	SDAT40 x UT32 - 125	193.4	125	105.1	48	48	M16 x 2.0P	2 ~ 20	1.89
5066-753-032-150	SDAT40 x UT32 - 150	218.4	150	130.1	48	48	M16 x 2.0P	2 ~ 20	2.21

### Features:

- ▶ The deeper holder gauge line optimizes the coverage of ER spring collet and increases machining stability.
- ▶ UT clamping nut is designed without eccentric. Used with ER and ERE spring collets.
- ▶ The O-ring design on the front of holders prevents chips and coolant from entering holders
- ▶ UT nuts without slots reduce the wind shear at high speed.

### Product information:

- ▶ The pre-balance reaches G6.3 10,000 rpm. Higher balancing grade and revolution can be done upon request but additional charge is needed.
- ▶ AD+B type is available, please inform us when making an order.

### Standard Accessory: • NUT

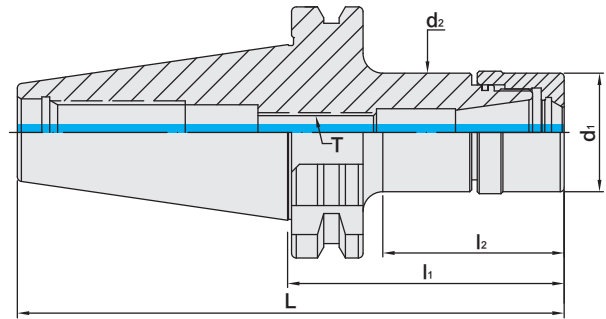
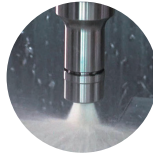
Collet	Nut	Pull Stud	Preset Screw	Spanner	Torque Wrench Adapter (Pull Stud)	Spanner (Pull Stud)
P.W-11~14	P.W-55	P.W-70	P.W-107	P.W-75、77、81	P.W-78	P.W-82



# SDAT / UT COLLET CHUCK



## SDAT / UT 法蘭加厚型立銑刀夾頭



TW PAT NO. M298033  
 TW PAT NO. M311791  
 J P PAT NO. 3128766  
 K R PAT NO. 20-0433603  
 C N PAT NO. ZL200620132661.0  
 C H PAT NO. 696550  
 T R PAT NO. TR 2007 02942 Y  
 I T PAT NO. N.0000266731

MODEL NO.	TYPE	L	l <sub>1</sub>	l <sub>2</sub>	d <sub>1</sub>	d <sub>2</sub>	T	SIZE RANGE	WEIGHT (KGS)
5067-753-016-070	SDAT50 x UT16 - 70	171.75	70	45.9	30	30	M10 x 1.5P	1 ~ 10	2.79
5067-753-016-100	SDAT50 x UT16 - 100	201.75	100	75.9	30	30	M10 x 1.5P	1 ~ 10	2.94
5067-753-016-125	SDAT50 x UT16 - 125	226.75	125	95.9	30	30	M10 x 1.5P	1 ~ 10	3.01
5067-753-016-150	SDAT50 x UT16 - 150	251.75	150	120.9	30	30	M10 x 1.5P	1 ~ 10	3.12
5067-753-020-070	SDAT50 x UT20 - 70	171.75	70	40.9	35	36	M12 x 1.75P	1 ~ 13	2.89
5067-753-020-100	SDAT50 x UT20 - 100	201.75	100	70.9	35	36	M12 x 1.75P	1 ~ 13	3.05
5067-753-020-125	SDAT50 x UT20 - 125	226.75	125	95.9	35	36	M12 x 1.75P	1 ~ 13	3.18
5067-753-020-150	SDAT50 x UT20 - 150	251.75	150	120.9	35	36	M12 x 1.75P	1 ~ 13	3.31
5067-753-025-070	SDAT50 x UT25 - 70	171.75	70	45.9	42	42	M16 x 2.0P	1 ~ 16	2.94
5067-753-025-100	SDAT50 x UT25 - 100	201.75	100	70.9	42	42	M16 x 2.0P	1 ~ 16	3.21
5067-753-025-150	SDAT50 x UT25 - 150	251.75	150	120.9	42	42	M16 x 2.0P	1 ~ 16	3.72
5067-753-032-070	SDAT50 x UT32 - 70	171.75	70	45.9	48	48	M16 x 2.0P	2 ~ 20	2.98
5067-753-032-100	SDAT50 x UT32 - 100	201.75	100	70.9	48	48	M16 x 2.0P	2 ~ 20	3.36
5067-753-032-125	SDAT50 x UT32 - 125	226.75	125	95.9	48	48	M16 x 2.0P	2 ~ 20	3.64
5067-753-032-150	SDAT50 x UT32 - 150	251.75	150	120.9	48	48	M16 x 2.0P	2 ~ 20	3.92

### Features:

- ▶ The deeper holder gauge line optimizes the coverage of ER spring collet and increases machining stability.
- ▶ UT clamping nut is designed without eccentric. Used with ER and ERE spring collets.
- ▶ The O-ring design on the front of holders prevents chips and coolant from entering holders
- ▶ UT nuts without slots reduce the wind shear at high speed.

### Product information:

- ▶ The pre-balance reaches G6.3 10,000 rpm. Higher balancing grade and revolution can be done upon request but additional charge is needed.
- ▶ AD+B type is available, please inform us when making an order.

### Standard Accessory: • NUT

Collet	Nut	Pull Stud	Preset Screw	Spanner	Torque Wrench Adapter (Pull Stud)	Spanner (Pull Stud)
P.W-11~14	P.W-55	P.W-70	P.W-107	P.W-75、77、81	P.W-78	P.W-82

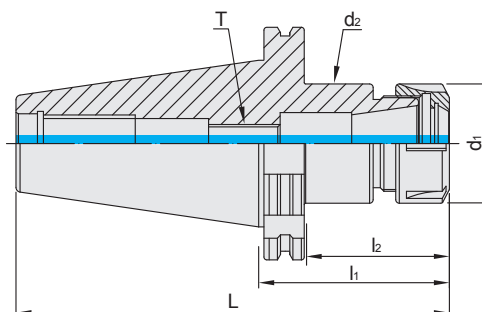
# SDAT / ER COLLET CHUCK



## SDAT / ER 法蘭加厚型立銑刀夾頭



TW PAT NO. M298033  
 TW PAT NO. M311791  
 J P PAT NO. 3128766  
 K R PAT NO. 20-0433603  
 C N PAT NO. ZL200620132661.0  
 C H PAT NO. 696550  
 T R PAT NO. TR 2007 02942 Y  
 I T PAT NO. N.0000266731



MODEL NO.	TYPE	L	l <sub>1</sub>	l <sub>2</sub>	d <sub>1</sub>	d <sub>2</sub>	T	SIZE RANGE	WEIGHT (KGS)
5066-108-011-080	SDAT40 x ER11A - 80	148.4	80	50	19	19	M6 x 1.0P	1 ~ 7	1.05
5066-108-011-125	SDAT40 x ER11A - 125	193.4	125	95	19	19	M6 x 1.0P	1 ~ 7	1.15
5066-108-016-070	SDAT40 x ER16A - 70	138.4	70	40	28	28	M10 x 1.5P	1 ~ 10	1.10
5066-108-016-100	SDAT40 x ER16A - 100	168.4	100	70	28	28	M10 x 1.5P	1 ~ 10	1.20
5066-108-016-125	SDAT40 x ER16A - 125	193.4	125	95	28	28	M10 x 1.5P	1 ~ 10	1.30
5066-108-016-150	SDAT40 x ER16A - 150	218.4	150	120	28	28	M10 x 1.5P	1 ~ 10	1.38
5066-108-016-180	SDAT40 x ER16A - 180	248.4	180	150	28	28	M10 x 1.5P	1 ~ 10	1.85
5066-108-020-070	SDAT40 x ER20A - 70	138.4	70	47	34	34	M12 x 1.75P	1 ~ 13	1.10
5066-108-020-100	SDAT40 x ER20A - 100	168.4	100	70	34	34	M12 x 1.75P	1 ~ 13	1.30
5066-108-020-135	SDAT40 x ER20A - 135	203.4	135	105	34	34	M12 x 1.75P	1 ~ 13	1.95
5066-108-020-160	SDAT40 x ER20A - 160	228.4	160	130	34	34	M12 x 1.75P	1 ~ 13	2.20
5066-110-025-070	SDAT40 x ER25 - 70	138.4	70	50	42	42	M16 x 2.0P	1 ~ 16	1.20
5066-110-025-100	SDAT40 x ER25 - 100	168.4	100	80	42	42	M16 x 2.0P	1 ~ 16	1.45
5066-110-025-150	SDAT40 x ER25 - 150	218.4	150	130	42	42	M16 x 2.0P	1 ~ 16	2.25
5066-110-025-180	SDAT40 x ER25 - 180	248.4	180	160	42	42	M16 x 2.0P	1 ~ 16	2.45
5066-110-025-200	SDAT40 x ER25 - 200	268.4	200	180	42	42	M16 x 2.0P	1 ~ 16	2.00
5066-110-032-070	SDAT40 x ER32 - 70	138.4	70	50	50	49.7	M16 x 2.0P	2 ~ 20	1.30
5066-110-032-100	SDAT40 x ER32 - 100	168.4	100	80	50	49.5	M16 x 2.0P	2 ~ 20	1.65
5066-110-032-135	SDAT40 x ER32 - 135	203.4	135	115	50	49.7	M16 x 2.0P	2 ~ 20	2.15
5066-110-032-150	SDAT40 x ER32 - 150	218.4	150	130	50	49.7	M16 x 2.0P	2 ~ 20	2.65
5066-110-040-070	SDAT40 x ER40 - 70	138.4	70	50	63	50	M20 x 2.0P	3 ~ 26	1.50
5066-110-040-100	SDAT40 x ER40 - 100	168.4	100	80	63	50	M20 x 2.0P	3 ~ 26	2.00
5066-110-040-135	SDAT40 x ER40 - 135	203.4	135	115	63	50	M20 x 2.0P	3 ~ 26	2.30
5066-110-050-100	SDAT40 x ER50 - 100	168.4	100	80	78	64	M24 x 2.0P	6 ~ 34	1.70

### Features:

- ▶ According to DIN ISO 15488.
- ▶ This ER collet chuck has superior flexibility for use with all tool types, e.g. drills, taps, mills, reamers.
- ▶ It is recommended to tighten the clamping nuts using a torque wrench. Refer to NO.75 General Catalog- Accessories for the info. of recommended tightening torque.

### Product information:

- ▶ The pre-balance reaches G6.3 10,000 rpm. Higher balancing grade and revolution can be done upon request but additional charge is needed.
- ▶ AD+B type is available, please inform us when making an order.

### Standard Accessory: • NUT

Collet	Nut	Pull Stud	Preset Screw	Spanner	Torque Wrench Adapter (Pull Stud)	Spanner (Pull Stud)
P.W-11~34	P.W-55~59	P.W-70	P.W-107	P.W-75~77、79、81	P.W-78	P.W-82



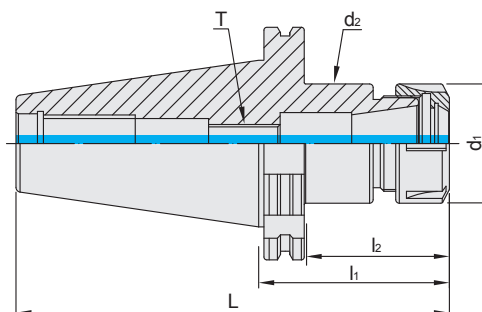
# SDAT / ER COLLET CHUCK



## SDAT / ER 法蘭加厚型立銑刀夾頭



TW PAT NO. M298033  
 TW PAT NO. M311791  
 J P PAT NO. 3128766  
 K R PAT NO. 20-0433603  
 C N PAT NO. ZL200620132661.0  
 C H PAT NO. 696550  
 T R PAT NO. TR 2007 02942 Y  
 I T PAT NO. N.0000266731



MODEL NO.	TYPE	L	l <sub>1</sub>	l <sub>2</sub>	d <sub>1</sub>	d <sub>2</sub>	T	SIZE RANGE	WEIGHT (KGS)
5067-108-016-100	SDAT50 x ER16A - 100	201.75	100	70	28	28	M10 x 1.5P	1 ~ 10	3.20
5067-108-016-135	SDAT50 x ER16A - 135	236.75	135	105	28	28	M10 x 1.5P	1 ~ 10	4.30
5067-108-016-160	SDAT50 x ER16A - 160	261.75	160	130	28	28	M10 x 1.5P	1 ~ 10	4.50
5067-108-016-180	SDAT50 x ER16A - 180	281.75	180	150	28	28	M10 x 1.5P	1 ~ 10	4.80
5067-108-020-100	SDAT50 x ER20A - 100	201.75	100	70	34	34	M12 x 1.75P	1 ~ 13	3.40
5067-108-020-135	SDAT50 x ER20A - 135	236.75	135	105	34	34	M12 x 1.75P	1 ~ 13	3.60
5067-108-020-160	SDAT50 x ER20A - 160	261.75	160	130	34	34	M12 x 1.75P	1 ~ 13	3.80
5067-110-025-070	SDAT50 x ER25 - 70	171.75	70	40	42	42	M16 x 2.0P	1 ~ 16	3.40
5067-110-025-100	SDAT50 x ER25 - 100	201.75	100	70	42	42	M16 x 2.0P	1 ~ 16	3.54
5067-110-025-150	SDAT50 x ER25 - 150	251.75	150	120	42	42	M16 x 2.0P	1 ~ 16	4.50
5067-110-025-200	SDAT50 x ER25 - 200	301.75	200	170	42	42	M16 x 2.0P	1 ~ 16	4.70
5067-110-032-080	SDAT50 x ER32 - 80	181.75	80	50	50	50	M20 x 2.0P	2 ~ 20	3.60
5067-110-032-120	SDAT50 x ER32 - 120	221.75	120	90	50	50	M20 x 2.0P	2 ~ 20	4.60
5067-110-032-160	SDAT50 x ER32 - 160	261.75	160	130	50	50	M20 x 2.0P	2 ~ 20	4.60
5067-110-032-200	SDAT50 x ER32 - 200	301.75	200	170	50	50	M20 x 2.0P	2 ~ 20	5.20
5067-110-040-080	SDAT50 x ER40 - 80	181.75	80	50	63	60	M20 x 2.0P	3 ~ 26	3.65
5067-110-040-120	SDAT50 x ER40 - 120	221.75	120	90	63	60	M20 x 2.0P	3 ~ 26	4.50
5067-110-040-160	SDAT50 x ER40 - 160	261.75	160	130	63	60	M20 x 2.0P	3 ~ 26	5.20
5067-110-040-200	SDAT50 x ER40 - 200	301.75	200	170	63	60	M20 x 2.0P	3 ~ 26	5.40
5067-110-050-080	SDAT50 x ER50 - 80	181.75	80	57	78	60	M24 x 2.0P	6 ~ 34	4.85
5067-110-050-120	SDAT50 x ER50 - 120	221.75	120	99	78	78	M24 x 2.0P	6 ~ 34	5.45
5067-110-050-160	SDAT50 x ER50 - 160	261.75	160	139	78	78	M24 x 2.0P	6 ~ 34	5.55
5067-110-050-200	SDAT50 x ER50 - 200	301.75	200	179	78	78	M24 x 2.0P	6 ~ 34	5.70

### Features:

- ▶ According to DIN ISO 15488.
- ▶ This ER collet chuck has superior flexibility for use with all tool types, e.g. drills, taps, mills, reamers.
- ▶ It is recommended to tighten the clamping nuts using a torque wrench. Refer to NO.75 General Catalog- Accessories for the info. of recommended tightening torque.

### Product information:

- ▶ The pre-balance reaches G6.3 10,000 rpm. Higher balancing grade and revolution can be done upon request but additional charge is needed.
- ▶ AD+B type is available, please inform us when making an order.

### Standard Accessory: • NUT

Collet	Nut	Pull Stud	Preset Screw	Spanner	Torque Wrench Adapter (Pull Stud)	Spanner (Pull Stud)
P.W-11~34	P.W-55~59	P.W-70	P.W-107	P.W-75~77、79、81	P.W-78	P.W-82



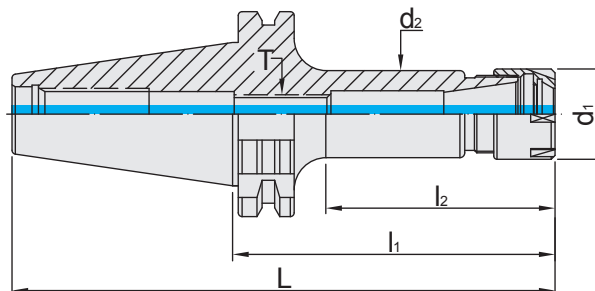
# SDAT / ER COLLET CHUCK

## M TYPE



M 型 SDAT / ER 法蘭加厚型立銑刀夾頭

(DIN ISO 15488)



T W PAT NO. M298033  
 T W PAT NO. M311791  
 J P PAT NO. 3128766  
 K R PAT NO. 20-0433603  
 C N PAT NO. ZL200620132661.0  
 C H PAT NO. 696550  
 T R PAT NO. TR 2007 02942 Y  
 I T PAT NO. N.0000266731

MODEL NO.	TYPE	L	l <sub>1</sub>	l <sub>2</sub>	d <sub>1</sub>	d <sub>2</sub>	T	SIZE RANGE	WEIGHT (KGS)
5066-123-011-070	SDAT40 x ER11M - 70	138.4	70	40	16	15	M6 x 1.0P	1 ~ 7	1.10
5066-123-011-100	SDAT40 x ER11M - 100	168.4	100	70	16	15	M6 x 1.0P	1 ~ 7	1.20
5066-123-011-125	SDAT40 x ER11M - 125	193.4	125	95	16	15	M6 x 1.0P	1 ~ 7	1.40
5066-123-011-150	SDAT40 x ER11M - 150	218.4	150	120	16	15	M6 x 1.0P	1 ~ 7	1.50
5066-123-016-070	SDAT40 x ER16M - 70	138.4	70	40	22	21	M10 x 1.5P	1 ~ 10	1.20
5066-123-016-100	SDAT40 x ER16M - 100	168.4	100	70	22	21	M10 x 1.5P	1 ~ 10	1.30
5066-123-016-125	SDAT40 x ER16M - 125	193.4	125	95	22	21	M10 x 1.5P	1 ~ 10	1.50
5066-123-016-150	SDAT40 x ER16M - 150	218.4	150	120	22	21	M10 x 1.5P	1 ~ 10	1.60
5066-123-020-070	SDAT40 x ER20M - 70	138.4	70	40	28	27	M12 x 1.75P	1 ~ 13	1.20
5066-123-020-100	SDAT40 x ER20M - 100	168.4	100	70	28	27	M12 x 1.75P	1 ~ 13	1.55
5066-123-020-125	SDAT40 x ER20M - 125	193.4	125	95	28	27	M12 x 1.75P	1 ~ 13	1.70
5066-123-020-150	SDAT40 x ER20M - 150	218.4	150	120	28	27	M12 x 1.75P	1 ~ 13	1.80
5067-123-011-070	SDAT50 x ER11M - 70	171.75	70	40	16	15	M6 x 1.0P	1 ~ 7	3.80
5067-123-011-090	SDAT50 x ER11M - 90	191.75	90	60	16	15	M6 x 1.0P	1 ~ 7	3.90
5067-123-011-105	SDAT50 x ER11M - 105	206.75	105	56	16	15	M6 x 1.0P	1 ~ 7	4.00
5067-123-011-135	SDAT50 x ER11M - 135	236.75	135	86	16	15	M6 x 1.0P	1 ~ 7	4.10
5067-123-011-165	SDAT50 x ER11M - 165	266.75	165	98	16	15	M6 x 1.0P	1 ~ 7	4.20
5067-123-016-070	SDAT50 x ER16M - 70	171.75	70	40	22	21	M10 x 1.5P	1 ~ 10	3.90
5067-123-016-090	SDAT50 x ER16M - 90	191.75	90	60	22	21	M10 x 1.5P	1 ~ 10	4.00
5067-123-016-105	SDAT50 x ER16M - 105	206.75	105	68	22	21	M10 x 1.5P	1 ~ 10	4.10
5067-123-016-135	SDAT50 x ER16M - 135	236.75	135	98	22	21	M10 x 1.5P	1 ~ 10	4.20
5067-123-016-165	SDAT50 x ER16M - 165	266.75	165	128	22	21	M10 x 1.5P	1 ~ 10	4.30
5067-123-020-090	SDAT50 x ER20M - 90	191.75	90	60	28	27	M12 x 1.75P	1 ~ 13	4.10
5067-123-020-105	SDAT50 x ER20M - 105	206.75	105	71	28	27	M12 x 1.75P	1 ~ 13	4.20
5067-123-020-135	SDAT50 x ER20M - 135	236.75	135	101	28	27	M12 x 1.75P	1 ~ 13	4.40
5067-123-020-165	SDAT50 x ER20M - 165	266.75	165	131	28	27	M12 x 1.75P	1 ~ 13	4.60

**Features:**

- ▶ According to DIN ISO 15488.
- ▶ This ER collet chuck has superior flexibility for use with all tool types, e.g. drills, taps, mills, reamers.
- ▶ It is recommended to tighten the clamping nuts using a torque wrench. Refer to NO.75 General Catalog- Accessories for the info. of recommended tightening torque.

**Product information:**

- ▶ The pre-balance reaches G6.3 10,000 rpm. Higher balancing grade and revolution can be done upon request but additional charge is needed.
- ▶ AD+B type is available, please inform us when making an order.

**Standard Accessory: • NUT**

Collet	Nut	Pull Stud	Preset Screw	Spanner	Torque Wrench Adapter (Pull Stud)	Spanner (Pull Stud)
P.W-11~34	P.W-56	P.W-70	P.W-107	PW-75、76、79	P.W-78	P.W-82



## SDAT / SKX COLLET CHUCK



## SDAT / SKX 法蘭加厚型立銑刀夾頭



Fig.1

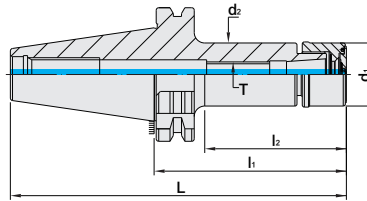
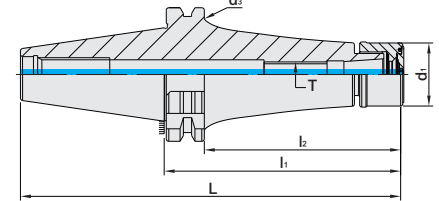


Fig.2



MODEL NO.	TYPE	L	l <sub>1</sub>	l <sub>2</sub>	d <sub>1</sub>	d <sub>2</sub>	d <sub>3</sub>	T	SIZE RANGE	Fig.	WEIGHT (KGS)
5066-790-006-060	SDAT40 x SKX6 - 60	128.4	60	37.9	19.5	19.5	-	M8 x 1.25P	1 ~ 6	1	1.00
5066-790-006-090	SDAT40 x SKX6 - 90	158.4	90	51	19.5	19.5	-	M8 x 1.25P	1 ~ 6	1	1.10
5066-790-006-120	SDAT40 x SKX6 - 120	188.4	120	81	19.5	19.5	53	M8 x 1.25P	1 ~ 6	2	1.40
5066-790-006-150	SDAT40 x SKX6 - 150	218.4	150	111	19.5	19.5	53	M8 x 1.25P	1 ~ 6	2	1.50
5066-790-010-060	SDAT40 x SKX10 - 60	128.4	60	32	30	30	-	M12 x 1.75P	2 ~ 10	1	1.10
5066-790-010-090	SDAT40 x SKX10 - 90	158.4	90	48	30	30	-	M12 x 1.75P	2 ~ 10	1	1.20
5066-790-010-120	SDAT40 x SKX10 - 120	188.4	120	78	30	30	53	M12 x 1.75P	2 ~ 10	2	1.40
5066-790-010-150	SDAT40 x SKX10 - 150	218.4	150	108	30	30	53	M12 x 1.75P	2 ~ 10	2	1.60
5066-790-010-180	SDAT40 x SKX10 - 180	248.4	180	138	30	30	53	M12 x 1.75P	2 ~ 10	2	1.60
5066-790-013-090	SDAT40 x SKX13 - 90	158.4	90	67	35	33	-	M12 x 1.75P	2 ~ 13	1	1.40
5066-790-013-120	SDAT40 x SKX13 - 120	188.4	120	97	35	33	-	M12 x 1.75P	2 ~ 13	2	1.60
5066-790-016-060	SDAT40 x SKX16 - 60	128.4	60	40.9	40	40	-	M18 x 1.5P	2 ~ 16	1	1.30
5066-790-016-090	SDAT40 x SKX16 - 90	158.4	90	58	40	40	-	M18 x 1.5P	2 ~ 16	1	1.50
5066-790-016-120	SDAT40 x SKX16 - 120	188.4	120	88	40	40	80	M18 x 1.5P	2 ~ 16	2	1.70
5066-790-016-150	SDAT40 x SKX16 - 150	218.4	150	118	40	40	80	M18 x 1.5P	2 ~ 16	2	1.90
5066-790-016-180	SDAT40 x SKX16 - 180	248.4	180	148	40	40	80	M18 x 1.5P	2 ~ 16	2	2.00
5066-790-020-090	SDAT40 x SKX20 - 90	158.4	90	60	48	48.5	-	M22 x 1.5P	3 ~ 20	1	1.60
5066-790-020-120	SDAT40 x SKX20 - 120	188.4	120	89.9	48	48.5	80	M22 x 1.5P	3 ~ 20	2	2.00
5066-790-025-090	SDAT40 x SKX25 - 90	158.4	90	55	55	55	-	M28 x 2.0P	3 ~ 25.4	1	1.80
5066-790-025-120	SDAT40 x SKX25 - 120	188.4	120	91	55	55	80	M28 x 2.0P	3 ~ 25.4	2	2.00

**Features:**

- ▶ Higher clamping force and precision stability than 8° ER design due to 4° taper angle collet design.
- ▶ SKX sealed nuts are capable of coolant pressure up to 70bar.
- ▶ Nuts in smaller OD and without slots are suitable for high-speed machining with less interference.
- ▶ Shorter overhanging tool length, better rigidity.
- ▶ SKX tool holders of the length over 120mm have curved line design for better rigidity.

**Product information:**

- ▶ SKX sealed cap is optional. Please order SKX sealed cap additionally.
- ▶ With the design of SKX sealed cap, coolant pressure capable up to 70 bar.
- ▶ Used with coolant-through tools.
- ▶ Balance: G2.5 25,000rpm.
- ▶ AD+B type is available, please inform us when making an order.

**Standard Accessory: • NUT**

Collet	Nut	Sealed Cap	Pull Stud	Preset Screw	Spanner	Sealed Cap Spanner	Torque Wrench Adapter (Pull Stud)	Spanner (Pull Stud)
P.W-35	P.W-62	P.W-63	P.W-70	P.W-107	P.W-75、77、81	P.W-80	P.W-78	P.W-82



# SDAT / SKX COLLET CHUCK



## SDAT / SKX 法蘭加厚型立銑刀夾頭



Fig.1

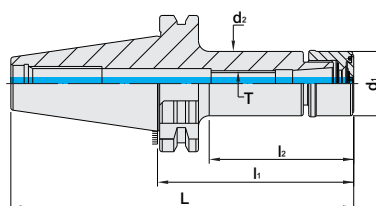
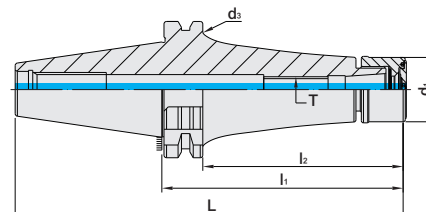


Fig.2



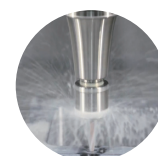
MODEL NO.	TYPE	L	l <sub>1</sub>	l <sub>2</sub>	d <sub>1</sub>	d <sub>2</sub>	d <sub>3</sub>	T	SIZE RANGE	Fig.	WEIGHT (KGS)
5067-790-006-105	SDAT50 x SKX6 - 105	206.8	105	55	19.5	19.5	-	M8 x 1.25P	1 ~ 6	1	3.80
5067-790-006-135	SDAT50 x SKX6 - 135	236.8	135	60	19.5	19.5	-	M8 x 1.25P	1 ~ 6	1	3.90
5067-790-006-165	SDAT50 x SKX6 - 165	266.8	165	85	19.5	19.5	-	M8 x 1.25P	1 ~ 6	1	4.00
5067-790-006-200	SDAT50 x SKX6 - 200	301.8	200	120	19.5	19.5	80	M8 x 1.25P	1 ~ 6	2	4.20
5067-790-010-105	SDAT50 x SKX10 - 105	206.8	105	57	30	30	-	M12 x 1.75P	2 ~ 10	1	4.20
5067-790-010-135	SDAT50 x SKX10 - 135	236.8	135	70	30	30	-	M12 x 1.75P	2 ~ 10	1	4.40
5067-790-010-165	SDAT50 x SKX10 - 165	266.8	165	90	30	30	-	M12 x 1.75P	2 ~ 10	1	4.60
5067-790-010-200	SDAT50 x SKX10 - 200	301.8	200	125	30	30	80	M12 x 1.75P	2 ~ 10	2	4.80
5067-790-013-105	SDAT50 x SKX13 - 105	206.75	105	80	35	33	-	M12 x 1.75P	2 ~ 13	1	4.20
5067-790-013-165	SDAT50 x SKX13 - 165	266.75	165	140	35	33	-	M12 x 1.75P	2 ~ 13	2	4.60
5067-790-016-105	SDAT50 x SKX16 - 105	206.8	105	62	40	40	-	M18 x 1.5P	2 ~ 16	1	4.70
5067-790-016-135	SDAT50 x SKX16 - 135	236.8	135	92	40	40	-	M18 x 1.5P	2 ~ 16	1	4.90
5067-790-016-165	SDAT50 x SKX16 - 165	266.8	165	90	40	40	-	M18 x 1.5P	2 ~ 16	1	5.10
5067-790-016-200	SDAT50 x SKX16 - 200	301.8	200	125	40	40	80	M18 x 1.5P	2 ~ 16	2	5.50
5067-790-020-105	SDAT50 x SKX20 - 105	206.8	105	62	48	48.5	-	M22 x 1.5P	3 ~ 20	1	4.30
5067-790-020-135	SDAT50 x SKX20 - 135	236.8	135	92	48	48.5	-	M22 x 1.5P	3 ~ 20	1	4.60
5067-790-020-165	SDAT50 x SKX20 - 165	266.8	165	122	48	48.5	-	M22 x 1.5P	3 ~ 20	1	5.00
5067-790-025-105	SDAT50 x SKX25 - 105	206.8	105	62	55	55	-	M28 x 2.0P	3 ~ 25.4	1	5.20
5067-790-025-135	SDAT50 x SKX25 - 135	236.8	135	92	55	55	-	M28 x 2.0P	3 ~ 25.4	1	5.40
5067-790-025-165	SDAT50 x SKX25 - 165	266.8	165	122	55	55	-	M28 x 2.0P	3 ~ 25.4	1	5.60
5067-790-025-200	SDAT50 x SKX25 - 200	301.8	200	157	55	55	80	M28 x 2.0P	3 ~ 25.4	2	6.00

### Features:

- ▶ Higher clamping force and precision stability than 8° ER design due to 4° taper angle collet design.
- ▶ SKX sealed nuts are capable of coolant pressure up to 70bar.
- ▶ Nuts in smaller OD and without slots are suitable for high-speed machining with less interference.
- ▶ Shorter overhanging tool length, better rigidity.
- ▶ SKX tool holders of the length over 120mm have curved line design for better rigidity.

### Product information:

- ▶ SKX sealed cap is optional. Please order SKX sealed cap additionally.
- ▶ With the design of SKX sealed cap, coolant pressure capable up to 70 bar.
- ▶ Used with coolant-through tools.
- ▶ Balance: G2.5 25,000rpm.
- ▶ AD+B type is available, please inform us when making an order.



### Standard Accessory: • NUT

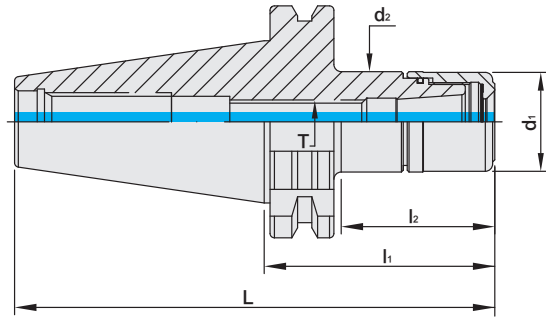
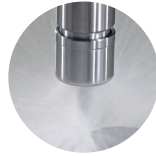
Collet	Nut	Sealed Cap	Pull Stud	Preset Screw	Spanner	Sealed Cap Spanner	Torque Wrench Adapter (Pull Stud)	Spanner (Pull Stud)
P.W-35	P.W-62	P.W-63	P.W-70	P.W-107	P.W-75、77、81	P.W-80	P.W-78	P.W-82



# SDAT / SK3 COLLET CHUCK

Dual  
DRIVE+5 $\mu$ m

SDAT / SK3 法蘭加厚型高速機專用夾頭



MODEL NO.	TYPE	L	l <sub>1</sub>	l <sub>2</sub>	d <sub>1</sub>	d <sub>2</sub>	T	SIZE RANGE	WEIGHT (KGS)
5066-763-006-080	SDAT40 x SK306 - 80	148.4	80	42.75	19.5	19.5	M8 x 1.25P	1 ~ 6	1.10
5066-763-006-100	SDAT40 x SK306 - 100	168.4	100	62.75	19.5	19.5	M8 x 1.25P	1 ~ 6	1.30
5066-763-006-120	SDAT40 x SK306 - 120	188.4	120	82.75	19.5	19.5	M8 x 1.25P	1 ~ 6	1.40
5066-763-010-080	SDAT40 x SK310 - 80	148.4	80	50.9	27.5	27.5	M12 x 1.75P	2 ~ 10	1.10
5066-763-010-100	SDAT40 x SK310 - 100	168.4	100	70.9	27.5	27.5	M12 x 1.75P	2 ~ 10	1.30
5066-763-010-120	SDAT40 x SK310 - 120	188.4	120	90.9	27.5	27.5	M12 x 1.75P	2 ~ 10	1.40
5066-763-013-080	SDAT40 x SK313 - 80	148.4	80	55.9	33	33	M12 x 1.75P	2 ~ 13	1.10
5066-763-013-100	SDAT40 x SK313 - 100	168.4	100	75.9	33	33	M12 x 1.75P	2 ~ 13	1.30
5066-763-013-120	SDAT40 x SK313 - 120	188.4	120	95.9	33	33	M12 x 1.75P	2 ~ 13	1.40
5066-763-016-080	SDAT40 x SK316 - 80	148.4	80	55.9	40	40	M18 x 1.5P	2 ~ 16	1.20
5066-763-016-100	SDAT40 x SK316 - 100	168.4	100	75.9	40	40	M18 x 1.5P	2 ~ 16	1.40
5066-763-016-120	SDAT40 x SK316 - 120	188.4	120	95.9	40	40	M18 x 1.5P	2 ~ 16	1.50
5067-763-006-080	SDAT50 x SK306 - 80	181.75	80	40.75	19.5	19.5	M8 x 1.25P	1 ~ 6	4.00
5067-763-006-100	SDAT50 x SK306 - 100	201.75	100	60.75	19.5	19.5	M8 x 1.25P	1 ~ 6	4.10
5067-763-006-120	SDAT50 x SK306 - 120	221.75	120	80.75	19.5	19.5	M8 x 1.25P	1 ~ 6	4.20
5067-763-010-080	SDAT50 x SK310 - 80	181.75	80	50.9	27.5	27.5	M12 x 1.75P	2 ~ 10	4.10
5067-763-010-100	SDAT50 x SK310 - 100	201.75	100	70.9	27.5	27.5	M12 x 1.75P	2 ~ 10	4.20
5067-763-010-120	SDAT50 x SK310 - 120	221.75	120	90.9	27.5	27.5	M12 x 1.75P	2 ~ 10	4.30
5067-763-013-080	SDAT50 x SK313 - 80	181.75	80	50.9	33	33	M12 x 1.75P	2 ~ 13	4.20
5067-763-013-100	SDAT50 x SK313 - 100	201.75	100	70.9	33	33	M12 x 1.75P	2 ~ 13	4.30
5067-763-013-120	SDAT50 x SK313 - 120	221.75	120	90.9	33	33	M12 x 1.75P	2 ~ 13	4.40
5067-763-016-080	SDAT50 x SK316 - 80	181.75	80	50.9	40	40	M18 x 1.5P	2 ~ 16	4.30
5067-763-016-100	SDAT50 x SK316 - 100	201.75	100	70.9	40	40	M18 x 1.5P	2 ~ 16	4.40
5067-763-016-120	SDAT50 x SK316 - 120	221.75	120	90.9	40	40	M18 x 1.5P	2 ~ 16	4.50

**Features:**

- ▶ Using 4° taper angle collets achieves higher clamping power and stability than 8° design of the ER system.
- ▶ Smaller OD nuts without slots are ideal for high-speed machining with less interference.
- ▶ Dustproof design of adding O rings prevents metal chips and coolants from getting into tool holders.

**Product information:**

- ▶ Balance: G2.5 25,000 rpm. Higher balancing grade and revolution can be done upon request but additional charge is needed.
- ▶ AD+B type is available, please inform us when making an order.

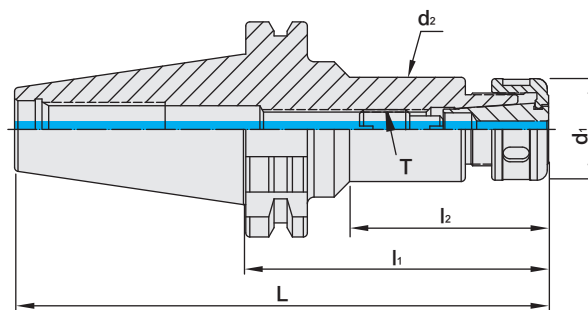
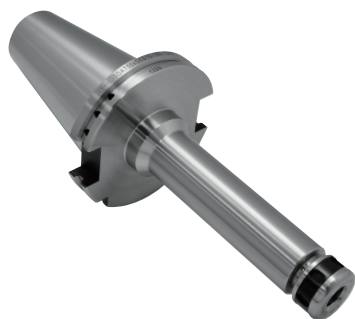
**Standard Accessory: • NUT**

Collet	Nut	Pull Stud	Preset Screw	Spanner	Torque Wrench Adapter (Pull Stud)	Spanner (Pull Stud)
P.W-35~39	P.W-59	P.W-70	P.W-107	P.W-75、77、81	P.W-78	P.W-82

# SDAT / SKS COLLET CHUCK



## SDAT / SKS 法蘭加厚型高速機專用夾頭



TW PAT NO. M270871

MODEL NO.	TYPE	L	l <sub>1</sub>	l <sub>2</sub>	d <sub>1</sub>	d <sub>2</sub>	T	SIZE RANGE	WEIGHT (KGS)
5066-658-006-090	SDAT40 x SKS6 - 90	158.4	90	51	18	18	M8 x 1.25P	1 ~ 6	0.60
5066-658-006-120	SDAT40 x SKS6 - 120	188.4	120	81	18	18	M8 x 1.25P	1 ~ 6	0.70
5066-658-010-090	SDAT40 x SKS10 - 90	158.4	90	52	30	27.6	M12 x 1.75P	2 ~ 10	1.20
5066-658-010-120	SDAT40 x SKS10 - 120	188.4	120	82	30	27.6	M12 x 1.75P	2 ~ 10	1.40
5066-658-013-090	SDAT40 x SKS13 - 90	158.4	90	67	35	33	M12 x 1.75P	2 ~ 13	1.40
5066-658-013-120	SDAT40 x SKS13 - 120	188.4	120	97	35	33	M12 x 1.75P	3 ~ 13	1.60
5066-658-016-090	SDAT40 x SKS16 - 90	158.4	90	65	40	40	M18 x 1.5P	2 ~ 16	1.30
5066-658-016-120	SDAT40 x SKS16 - 120	188.4	120	95	40	40	M18 x 1.5P	2 ~ 16	1.50
5066-658-020-090	SDAT40 x SKS20 - 90	158.4	90	70	48.5	48.5	M22 x 1.5P	3 ~ 20	1.60
5066-658-020-120	SDAT40 x SKS20 - 120	188.4	120	100	48.5	48.5	M22 x 1.5P	3 ~ 20	2.00
5066-658-025-090	SDAT40 x SKS25 - 90	158.4	90	70	55	49.85	M28 x 2.0P	3 ~ 25.4	1.30
5066-658-025-120	SDAT40 x SKS25 - 120	188.4	120	100	55	49.85	M28 x 2.0P	3 ~ 25.4	1.50
5067-658-006-105	SDAT50 x SKS6 - 105	206.75	105	64	18	18	M8 x 1.25P	1 ~ 6	4.20
5067-658-006-165	SDAT50 x SKS6 - 165	266.75	165	124	18	18	M8 x 1.25P	1 ~ 6	4.60
5067-658-010-105	SDAT50 x SKS10 - 105	206.75	105	70	30	30	M12 x 1.75P	2 ~ 10	4.20
5067-658-010-165	SDAT50 x SKS10 - 165	266.75	165	130	30	30	M12 x 1.75P	2 ~ 10	4.60
5067-658-013-105	SDAT50 x SKS13 - 105	206.75	105	80	35	33	M12 x 1.75P	2 ~ 13	4.20
5067-658-013-165	SDAT50 x SKS13 - 165	266.75	165	140	35	33	M12 x 1.75P	2 ~ 13	4.60
5067-658-016-105	SDAT50 x SKS16 - 105	206.75	105	75	40	40	M18 x 1.5P	2 ~ 16	4.30
5067-658-016-165	SDAT50 x SKS16 - 165	266.75	165	127	40	40	M18 x 1.5P	2 ~ 16	4.70
5067-658-020-105	SDAT50 x SKS20 - 105	206.75	105	80	48.5	48.5	M22 x 1.5P	3 ~ 20	4.30
5067-658-020-165	SDAT50 x SKS20 - 165	266.75	165	140	48.5	48.5	M22 x 1.5P	3 ~ 20	4.70
5067-658-025-105	SDAT50 x SKS25 - 105	206.75	105	80	55	55	M28 x 2.0P	3 ~ 25.4	5.00
5067-658-025-165	SDAT50 x SKS25 - 165	266.75	165	140	55	55	M28 x 2.0P	3 ~ 25.4	5.30

### Features:

- ▶ T.I.R. is within 5µm at a 4D distance.
- ▶ Using with 4° taper angle SKS collets achieves better clamping force and accuracy stability than 8° ER collets.
- ▶ Smaller OD nuts reduce interference. Standard revolution is G2.5 25,000RPM, suitable for high speed machining.
- ▶ Besides standard SKS clamping nut, SKS wind resistance nut and SKS sealed nut are available for customers to choose from (must purchase additionally).

### Product information:

- ▶ Balance: G2.5 25,000 rpm. Higher balancing grade and revolution can be done upon request but additional charge is needed.
- ▶ AD+B type is available, please inform us when making an order.

### Standard Accessory: • NUT

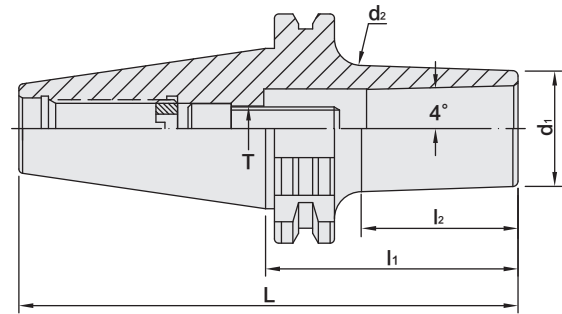
Collet	Nut	Pull Stud	Preset Screw	Spanner	Torque Wrench Adapter (Pull Stud)	Spanner (Pull Stud)
P.W-35~39	P.W-60~61	P.W-70	P.W-107	PW-75~77、80、81	P.W-78	P.W-82



# SDAT / SBL SLIM-FIT COLLET CHUCK

Dual  
DRIVE+

SDAT / SBL 法蘭加厚型後拉式立銑刀夾頭



TW PAT NO. M274178

MODEL NO.	TYPE	L	l <sub>1</sub>	l <sub>2</sub>	d <sub>1</sub>	d <sub>2</sub>	T	RECOMMENDED TORQUE		SIZE RANGE	WEIGHT (KGS)
								N.m	lbf-ft		
5066-648-006-070	SDAT40 x SBL6 - 70	138.4	70	36	14	17	M6 x 1.0P	12	9	3 ~ 6	1.00
5066-648-006-100	SDAT40 x SBL6 - 100	168.4	100	58	14	20	M6 x 1.0P	12	9	3 ~ 6	1.10
5066-648-008-100	SDAT40 x SBL8 - 100	168.4	100	71.4	20	27.4	M8 x 1.25P	29	21	3 ~ 8	1.25
5066-648-008-130	SDAT40 x SBL8 - 130	198.4	130	101.4	20	30.6	M8 x 1.25P	29	21	3 ~ 8	1.19
5066-648-008-150	SDAT40 x SBL8 - 150	218.4	150	121.4	20	32.6	M8 x 1.25P	29	21	3 ~ 8	1.32
5066-648-012-070	SDAT40 x SBL12 - 70	138.4	70	41	26	29	M10 x 1.5P	45	33	3 ~ 12	1.20
5066-648-012-100	SDAT40 x SBL12 - 100	168.4	100	73	26	32	M10 x 1.5P	45	33	3 ~ 12	1.30
5066-648-020-070	SDAT40 x SBL20 - 70	138.4	70	46	35	39	M12 x 1.75P	60	44	3 ~ 20	1.30
5066-648-020-100	SDAT40 x SBL20 - 100	168.4	100	78	35	41	M12 x 1.75P	60	44	3 ~ 20	1.40
5066-648-025-080	SDAT40 x SBL25 - 80	148.4	80	58	40	45	M16 x 1.5P	90	66	6 ~ 25.4	1.50
5066-648-025-100	SDAT40 x SBL25 - 100	168.4	100	79	40	46	M16 x 1.5P	90	66	6 ~ 25.4	1.60
5067-648-006-070	SDAT50 x SBL6 - 70	171.75	70	36	14	17	M6 x 1.0P	12	9	3 ~ 6	2.80
5067-648-006-100	SDAT50 x SBL6 - 100	201.75	100	66	14	20	M6 x 1.0P	12	9	3 ~ 6	2.90
5067-648-008-100	SDAT50 x SBL8 - 100	201.75	100	71.4	20	27.4	M8 x 1.25P	29	21	3 ~ 8	2.81
5067-648-008-130	SDAT50 x SBL8 - 130	231.75	130	101.4	20	30.6	M8 x 1.25P	29	21	3 ~ 8	2.98
5067-648-008-150	SDAT50 x SBL8 - 150	251.75	150	121.4	20	32.7	M8 x 1.25P	29	21	3 ~ 8	3.11
5067-648-012-070	SDAT50 x SBL12 - 70	171.75	70	41	26	29	M10 x 1.5P	45	33	3 ~ 12	3.00
5067-648-012-100	SDAT50 x SBL12 - 100	201.75	100	73	26	32	M10 x 1.5P	45	33	3 ~ 12	3.10
5067-648-020-070	SDAT50 x SBL20 - 70	171.75	70	41	35	38	M12 x 1.75P	60	44	3 ~ 20	3.20
5067-648-020-100	SDAT50 x SBL20 - 100	201.75	100	76	35	41	M12 x 1.75P	60	44	3 ~ 20	3.30
5067-648-025-080	SDAT50 x SBL25 - 80	181.75	80	58	40	45	M16 x 1.5P	90	66	6 ~ 25.4	3.20
5067-648-025-100	SDAT50 x SBL25 - 100	201.75	100	78	40	46	M16 x 1.5P	90	66	6 ~ 25.4	3.40

**Features:**

- ▶ The design of non-clamping nut and slim front ends reduces interference, ideal for deep hole machining.
- ▶ Taper angle 4° increases the stability of clamping precision.
- ▶ T.I.R. is within 5µm at 4D distance.

**Product information:**

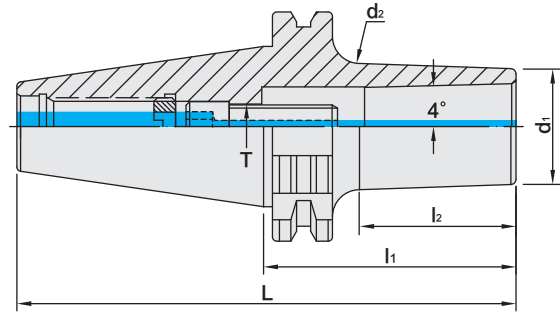
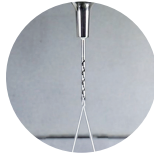
- ▶ Balance: G2.5 25,000 rpm. Higher balancing grade and revolution can be done upon request but additional charge is needed.
- ▶ AD+B type is available, please inform us when making an order.

Collet	Pull Stud	SCREW	Spanner	Torque Wrench Adapter (Pull Stud)	Spanner (Pull Stud)
P.W-40	P.W-70	P.W-110	P.W-80	P.W-78	P.W-82

# SDAT / SBLC SLIM-FIT COLLET CHUCK



## SDAT / SBLC 法蘭加厚型後拉式立銑刀夾頭



TW PAT NO. M274178

MODEL NO.	TYPE	L	l <sub>1</sub>	l <sub>2</sub>	d <sub>1</sub>	d <sub>2</sub>	T	RECOMMENDED TORQUE		SIZE RANGE	WEIGHT (KGS)
								N.m	lbf-ft		
5066-623-006-070	SDAT40 x SBLC6 - 70	138.4	70	36	14	17	M6 x 1.0P	12	9	3 ~ 6	1.00
5066-623-006-100	SDAT40 x SBLC6 - 100	168.4	100	58	14	20	M6 x 1.0P	12	9	3 ~ 6	1.10
5066-623-008-100	SDAT40 x SBLC8 - 100	168.4	100	71.4	20	27.4	M8 x 1.25P	29	21	3 ~ 8	1.25
5066-623-008-130	SDAT40 x SBLC8 - 130	198.4	130	101.4	20	30.6	M8 x 1.25P	29	21	3 ~ 8	1.19
5066-623-008-150	SDAT40 x SBLC8 - 150	218.4	150	121.4	20	32.6	M8 x 1.25P	29	21	3 ~ 8	1.32
5066-623-012-070	SDAT40 x SBLC12 - 70	138.4	70	41	26	29	M10 x 1.5P	45	33	3 ~ 12	1.20
5066-623-012-100	SDAT40 x SBLC12 - 100	168.4	100	73	26	32	M10 x 1.5P	45	33	3 ~ 12	1.30
5066-623-020-070	SDAT40 x SBLC20 - 70	138.4	70	46	35	39	M12 x 1.75P	60	44	3 ~ 20	1.30
5066-623-020-100	SDAT40 x SBLC20 - 100	168.4	100	78	35	41	M12 x 1.75P	60	44	3 ~ 20	1.40
5066-623-025-080	SDAT40 x SBLC25 - 80	148.4	80	58	40	45	M16 x 1.5P	90	66	6 ~ 25.4	1.50
5066-623-025-100	SDAT40 x SBLC25 - 100	168.4	100	79	40	46	M16 x 1.5P	90	66	6 ~ 25.4	1.60
5067-623-006-070	SDAT50 x SBLC6 - 70	171.75	70	36	14	17	M6 x 1.0P	12	9	3 ~ 6	2.80
5067-623-006-100	SDAT50 x SBLC6 - 100	201.75	100	66	14	20	M6 x 1.0P	12	9	3 ~ 6	2.90
5067-623-008-100	SDAT50 x SBLC8 - 100	201.75	100	71.4	20	27.4	M8 x 1.25P	29	21	3 ~ 8	2.81
5067-623-008-130	SDAT50 x SBLC8 - 130	231.75	130	101.4	20	30.6	M8 x 1.25P	29	21	3 ~ 8	2.98
5067-623-008-150	SDAT50 x SBLC8 - 150	251.75	150	121.4	20	32.7	M8 x 1.25P	29	21	3 ~ 8	3.11
5067-623-012-070	SDAT50 x SBLC12 - 70	171.75	70	41	26	29	M10 x 1.5P	45	33	3 ~ 12	3.00
5067-623-012-100	SDAT50 x SBLC12 - 100	201.75	100	73	26	32	M10 x 1.5P	45	33	3 ~ 12	3.10
5067-623-020-070	SDAT50 x SBLC20 - 70	171.75	70	41	35	38	M12 x 1.75P	60	44	3 ~ 20	3.20
5067-623-020-100	SDAT50 x SBLC20 - 100	201.75	100	76	35	41	M12 x 1.75P	60	44	3 ~ 20	3.30
5067-623-025-080	SDAT50 x SBLC25 - 80	181.75	80	58	40	45	M16 x 1.5P	90	66	6 ~ 25.4	3.20
5067-623-025-100	SDAT50 x SBLC25 - 100	201.75	100	78	40	46	M16 x 1.5P	90	66	6 ~ 25.4	3.40

### Features:

- ▶ SBLC collet chuck used for center coolant improves the metal chip removal capability and the surface finish of the workpiece.
- ▶ The design of non-clamping nut and slim front ends reduces interference, ideal for deep hole machining.
- ▶ T.I.R. is within 5µm at 4D distance.
- ▶ Taper angle 4° increases the stability of clamping precision.

### Product information:

- ▶ Balance: G2.5 25,000 rpm. Higher balancing grade and revolution can be done upon request but additional charge is needed.
- ▶ AD+B type is available, please inform us when making an order.
- ▶ Used with SLC sealed collet and coolant through cutters.

### Standard Accessory: • SPANNER

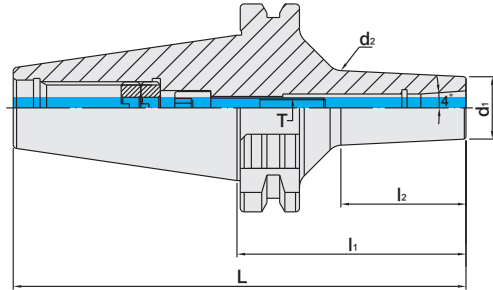
Collet	Pull Stud	SCREW	Spanner	Torque Wrench Adapter (Pull Stud)	Spanner (Pull Stud)
P.W-41	P.W-70	P.W-110	P.W-80	P.W-78	P.W-82



# SDAT / EBL SLIM-FIT COLLET CHUCK

Dual  
DRIVE+

SDAT / EBL 法蘭加厚型後拉式刀桿



MODEL NO.	TYPE	L	l <sub>1</sub>	l <sub>2</sub>	d <sub>1</sub>	d <sub>2</sub>	T	RECOMMENDED TORQUE		SIZE RANGE	WEIGHT (KGS)
								N.m	lbf-ft		
5066-277-006-070	SDAT40 x EBL6 - 70	138.4	70	38.2	19.05	22.7	M6 x 1.0P	12	9	3 ~ 6	1.01
5066-277-006-100	SDAT40 x EBL6 - 100	168.4	100	69.7	19.05	25.8	M6 x 1.0P	12	9	3 ~ 6	1.12
5066-277-008-070	SDAT40 x EBL8 - 70	138.4	70	36.5	22.225	25.8	M8 x 1.25P	29	21	3 ~ 8	1.03
5066-277-008-100	SDAT40 x EBL8 - 100	168.4	100	68.1	22.225	28.8	M8 x 1.25P	29	21	3 ~ 8	1.17
5067-277-006-070	SDAT50 x EBL6 - 70	171.75	70	38.2	19.05	22.7	M6 x 1.0P	12	9	3 ~ 6	2.80
5067-277-006-100	SDAT50 x EBL6 - 100	201.75	100	69.7	19.05	25.8	M6 x 1.0P	12	9	3 ~ 6	2.83
5067-277-008-070	SDAT50 x EBL8 - 70	171.75	70	36.5	22.225	25.8	M8 x 1.25P	29	21	3 ~ 8	2.83
5067-277-008-100	SDAT50 x EBL8 - 100	201.75	100	68.1	22.225	28.8	M8 x 1.25P	29	21	3 ~ 8	2.88



▶ SBL



▶ EBL

### Features:

- ▶ EBL collet with extended length shortens tool overhanging length and improves the machining stability.
- ▶ The optimized design of thicker neck improves the machining rigidity and eliminates vibration, resulting in excellent surface finish of workpiece.
- ▶ Collet types: EBL collet and EBL sealed collets. The latter is capable of coolant pressure up to 25bar.

### Product information:

- ▶ Balance: G2.5 25,000rpm.

### Standard Accessory: • SPANNER

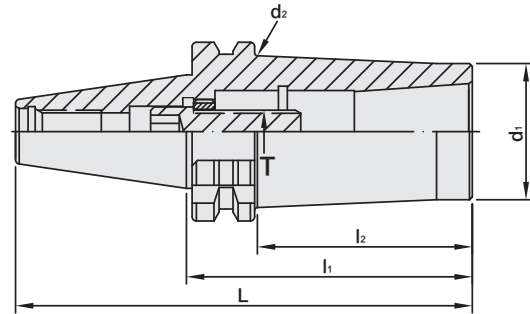
Collet	Sealed Collet	Pull Stud	Screw	Spanner	Torque Wrench Adapter (Pull Stud)	Spanner (Pull Stud)
P.W-42	P.W-42	P.W-70	P.W-110	P.W-80	P.W-78	P.W-82



# SDAT / HBL SLIM-FIT COLLET CHUCK



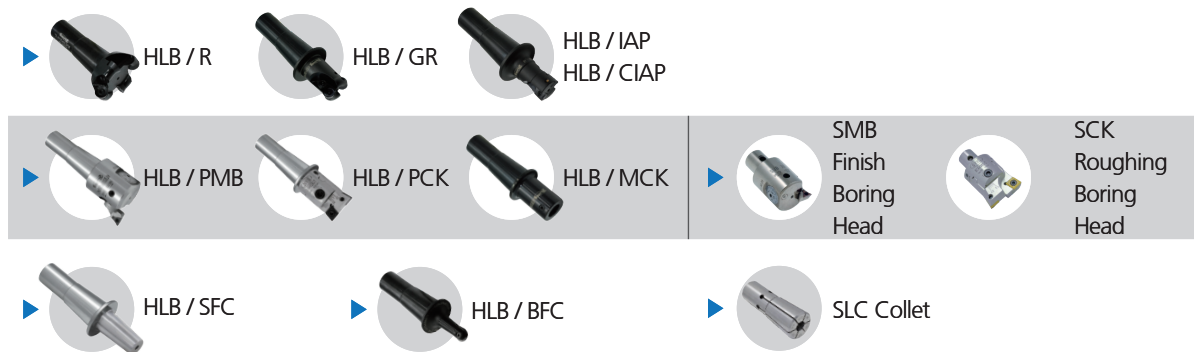
## SDAT / HBL 法蘭加厚型後拉式立銑刀夾頭



TW PAT NO. M488361  
J P PAT NO. 3193771  
D E PAT NO. Nr.202014103

MODEL NO.	TYPE	L	l <sub>1</sub>	l <sub>2</sub>	d <sub>1</sub>	d <sub>2</sub>	T	WEIGHT (KGS)
5066-275-012-070	SDAT40 x HBL12 - 70	138.4	70	41.34	31.75	34.49	M10 x 1.5P	1.40
5066-275-012-100	SDAT40 x HBL12 - 100	168.4	100	71.34	31.75	37.11	M10 x 1.5P	1.50
5066-275-020-070	SDAT40 x HBL20 - 70	138.4	70	46.12	38.1	41.25	M12 x 1.75P	1.50
5066-275-020-100	SDAT40 x HBL20 - 100	168.4	100	78.03	38.1	44.04	M12 x 1.75P	1.60
5066-275-025-080	SDAT40 x HBL25 - 80	148.4	80	58.03	44.45	48.6	M16 x 1.5P	1.70
5066-275-025-100	SDAT40 x HBL25 - 100	168.4	100	80.1	44.45	49.5	M16 x 1.5P	1.80
5067-275-012-070	SDAT50 x HBL12 - 70	171.75	70	41.34	31.75	34.49	M10 x 1.5P	3.20
5067-275-012-100	SDAT50 x HBL12 - 100	201.75	100	71.34	31.75	37.11	M10 x 1.5P	3.30
5067-275-020-070	SDAT50 x HBL20 - 70	171.75	70	41.34	38.1	40.84	M12 x 1.75P	3.40
5067-275-020-100	SDAT50 x HBL20 - 100	201.75	100	71.34	38.1	43.47	M12 x 1.75P	3.50
5067-275-025-070	SDAT50 x HBL25 - 70	171.75	70	46.1	44.45	47.6	M16 x 1.5P	3.50
5067-275-025-100	SDAT50 x HBL25 - 100	201.75	100	76.1	44.45	50.2	M16 x 1.5P	3.60

### HLB Cutter for HBL Slim-Fit Collet Chuck



#### Features:

- ▶ Two-face contact between collet taper, collet flange and the end of HBL tool holder, increases the rigidity of machining.
- ▶ Modular system, assembled with HLB tools.
- ▶ HBL drawbar clamping design strengthens the axial clamping force.

#### Product information:

- ▶ When assembling coolant through HLB cutter or SLC sealed collets, please change the screw into coolant screw, which is available to order separately.
- ▶ Balance: G2.5 25,000 rpm. Higher balancing grade and revolution can be done upon request but additional charge is needed.
- ▶ AD+B type is available, please inform us when making an order.

#### Standard Accessory: • SPANNER

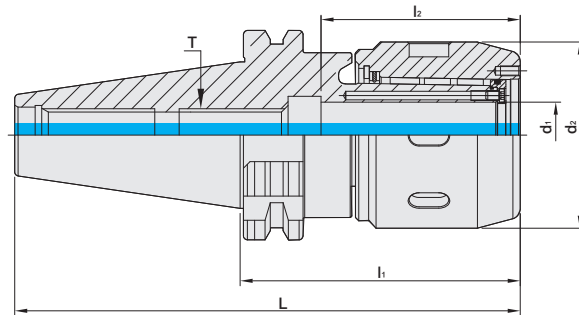
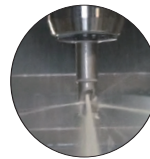
Pull Stud	Screw	Spanner	HLB CUTTER	SLC Collet	Torque Wrench Adapter (Pull Stud)	Spanner (Pull Stud)
P.W-70	P.W-110	P.W-80	P.W-83~97	P.W-40~41	P.W-78	P.W-82



# SDAT / MLD MULTI - LOCK MILLING CHUCK

Dual  
DRIVE+

SDAT / MLD 法蘭加厚型直式筒夾 銑床夾頭

台灣精品 2007  
TAIWAN EXCELLENCE

TW PAT NO. M447277  
 TW PAT NO. M430337  
 TW PAT NO. M451185  
 C N PAT NO. ZL201220749784.4  
 C H PAT NO. ZL201220749942.6

MODEL NO.	TYPE	L	l <sub>1</sub>	l <sub>2</sub>	d <sub>1</sub>	d <sub>2</sub>	T	WEIGHT (KGS)
5066-460-012-075	SDAT40 x MLD12 - 75	143.4	75	46.7	12	42	M12 x 1.75P	2.10
5066-460-016-080	SDAT40 x MLD16 - 80	148.4	80	56.7	16	48	M12 x 1.75P	2.20
5066-460-020-085	SDAT40 x MLD20 - 85	153.4	85	59.3	20	56.5	M16 x 2.0P	2.40
5066-460-020-135	SDAT40 x MLD20 - 135	203.4	135	59.3	20	56.5	M16 x 2.0P	2.50
5066-460-025-095	SDAT40 x MLD25 - 95	163.4	95	58.2	25	60	M16 x 2.0P	2.00
5066-460-032-105	SDAT40 x MLD32 - 105	173.4	105	71.7	32	71	M16 x 2.0P	2.70
5066-460-032-135	SDAT40 x MLD32 - 135	203.4	135	71.7	32	71	M16 x 2.0P	3.00
5067-460-012-075	SDAT50 x MLD12 - 75	176.75	75	46.7	12	42	M12 x 1.75P	3.20
5067-460-016-075	SDAT50 x MLD16 - 75	176.75	75	56.7	16	48	M12 x 1.75P	3.20
5067-460-020-105	SDAT50 x MLD20 - 105	206.75	105	59.3	20	56.5	M16 x 2.0P	4.50
5067-460-020-150	SDAT50 x MLD20 - 150	251.75	150	59.3	20	56.5	M16 x 2.0P	4.90
5067-460-025-105	SDAT50 x MLD25 - 105	206.75	105	58.2	25	60	M24 x 3.0P	4.10
5067-460-032-105	SDAT50 x MLD32 - 105	206.75	105	71.7	32	71	M24 x 3.0P	5.10
5067-460-032-135	SDAT50 x MLD32 - 135	236.75	135	71.7	32	71	M24 x 3.0P	5.90
5067-460-042-115	SDAT50 x MLD42 - 115	216.75	115	84.8	42	90	M24 x 3.0P	5.00

### Features:

- ▶ The special slotted design of the internal hole increases the clamping force and decreases vibration, making this milling chuck set suitable for heavy-duty machining.
- ▶ Collet runout accuracy: HSC collet 5μm and SSC collet 20μm two options to choose from.
- ▶ After fastening, the nuts and tool holders contact tight to enhance the cutting rigidity and achieve dustproof purposes.
- ▶ Coolant options: through the center of the holder or cutter. Use a sealed cap and SR ring for coolant through the cutter.

### Product information:

- ▶ The pre-balance reaches G6.3 8,000 rpm. Higher balancing grade and revolution can be done upon request but additional charge is needed.
- ▶ AD+B type is available, please inform us when making an order.

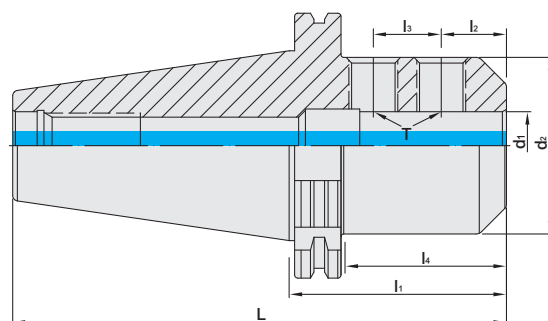
### Standard Accessory: • NUT

Collet	Sealed Cap	SR Sealed Ring	Pull Stud	Set Screw	Spanner	Spanner	Torque Wrench Adapter (Pull Stud)	Spanner (Pull Stud)
P.W-45~46	P.W-65	P.W-66	P.W-70	P.W-107	P.W-79~80	P.W-81	P.W-78	P.W-82

# SDAT / SLN SIDE LOCK END MILL HOLDER



## SDAT / SLN 法蘭加厚型側固式立銑刀桿



MODEL NO.	TYPE	L	l <sub>1</sub>	l <sub>2</sub>	l <sub>3</sub>	l <sub>4</sub>	d <sub>1</sub>	d <sub>2</sub>	T	WEIGHT (KGS)
5066-653-006-050	SDAT40 x SLN6 - 50	118.4	50	18	-	27	6	25	M6 x 1.0P	0.85
5066-653-008-050	SDAT40 x SLN8 - 50	118.4	50	18	-	27	8	28	M8 x 1.25P	1.00
5066-653-010-050	SDAT40 x SLN10 - 50	118.4	50	20	-	27	10	35	M10 x 1.5P	1.10
5066-653-012-050	SDAT40 x SLN12 - 50	118.4	50	22.5	-	30	12	42	M12 x 1.75P	1.15
5066-653-016-063	SDAT40 x SLN16 - 63	131.4	63	24	-	43	16	48	M14 x 2.0P	1.40
5066-653-020-063	SDAT40 x SLN20 - 63	131.4	63	25	-	43	20	52	M16 x 2.0P	1.30
5066-653-025-100	SDAT40 x SLN25 - 100	168.4	100	24	25	80	25	65	M18 x 2.0P	2.40
5066-653-032-100	SDAT40 x SLN32 - 100	168.4	100	24	28	80	32	72	M20 x 2.0P	2.70
5067-653-006-063	SDAT50 x SLN6 - 63	164.75	63	18	-	33	6	25	M6 x 1.0P	3.10
5067-653-008-063	SDAT50 x SLN8 - 63	164.75	63	18	-	33	8	28	M8 x 1.25P	3.10
5067-653-010-063	SDAT50 x SLN10 - 63	164.75	63	20	-	33	10	35	M10 x 1.5P	3.30
5067-653-012-063	SDAT50 x SLN12 - 63	164.75	63	22.5	-	40	12	42	M12 x 1.75P	3.50
5067-653-016-063	SDAT50 x SLN16 - 63	164.75	63	24	-	40	16	48	M14 x 2.0P	3.45
5067-653-020-063	SDAT50 x SLN20 - 63	164.75	63	25	-	40	20	52	M16 x 2.0P	3.50
5067-653-025-080	SDAT50 x SLN25 - 80	181.75	80	24	25	59	25	65	M18 x 2.0P	4.20
5067-653-032-100	SDAT50 x SLN32 - 100	201.75	100	24	28	78	32	72	M20 x 2.0P	5.00
5067-653-040-100	SDAT50 x SLN40 - 100	201.75	100	30	32	80	40	90	M20 x 2.0P	5.60
5067-653-042-100	SDAT50 x SLN42 - 100	201.75	100	30	32	80	42	90	M20 x 2.0P	5.70
5067-653-050-125	SDAT50 x SLN50 - 125	226.75	125	35	35	105	50	100	M24 x 2.0P	5.90
5067-653-063-150	SDAT50 x SLN63 - 150	251.75	150	40	40	130	63	125	M20 x 2.0P	6.20

### Features:

- ▶ Internal hole tolerance: H5 (DIN-1835-B standard).
- ▶ The tolerance requirement of tool shank diameter is h6.
- ▶ Taking use of side lock screws to clamp tools with lateral flat surfaces. Good at heavy-duty machining.

### Product information:

- ▶ The pre-balance reaches G6.3 8,000 rpm. Higher balancing grade and revolution can be done upon request but additional charge is needed.
- ▶ AD+B type is available, please inform us when making an order.

Pull Stud	Lock Screw	Torque Wrench Adapter (Pull Stud)	Spanner (Pull Stud)
P.W-70	P.W-109	P.W-78	P.W-82



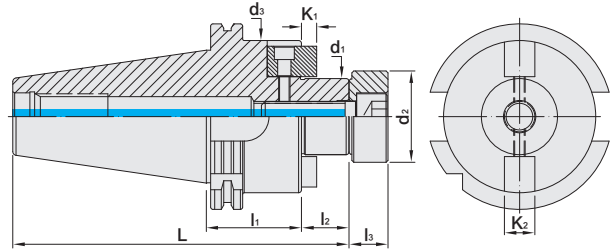
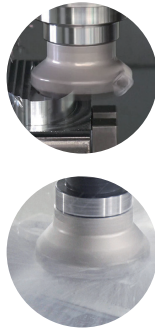
# SDAT FACE MILL ARBOR

## FMB TYPE

Dual  
DRIVE+

SDAT / FMB 法蘭加厚型平面銑刀桿

(DIN 6357-B)







MODEL NO.	TYPE	L	l <sub>1</sub>	l <sub>2</sub>	l <sub>3</sub>	d <sub>1</sub>	d <sub>2</sub>	d <sub>3</sub>	K <sub>1</sub>	K <sub>2</sub>	WEIGHT (KGS)
5066-153-022-035	SDAT40 x FMB22 - 35	122.4	35	19	14	22	26	48	5	10	1.20
5066-153-027-060	SDAT40 x FMB27 - 60	148.4	60	20	16	27	31.5	58	5	12	1.80
5066-153-032-060	SDAT40 x FMB32 - 60	150.4	60	22	16	32	41	66	6	14	2.30
5066-153-040-060	SDAT40 x FMB40 - 60	153.4	60	25	20.5	40	48	80	8	16	2.80
5067-153-022-035	SDAT50 x FMB22 - 35	155.75	35	19	14	22	26	48	5	10	3.40
5067-153-027-035	SDAT50 x FMB27 - 35	156.75	35	20	16	27	31.5	58	5	12	3.50
5067-153-032-035	SDAT50 x FMB32 - 35	158.75	35	22	16	32	41	66	6	14	3.70
5067-153-040-050	SDAT50 x FMB40 - 50	176.75	50	25	20.5	40	48	80	8	16	4.70
5067-153-050-060	SDAT50 x FMB50 - 60	191.75	60	30	24	50	65	95	10	19	5.80

**Features:**

- ▶ Metric size.
- ▶ Tolerance of d<sub>1</sub> the connection part with cutter: h6, which is good for less chatter and longer cutter life.
- ▶ Standard screw attached is w/o coolant hole.
- ▶ To use with face mill cutters with coolant holes, the standard screw has to be changed into the screw with coolant flute, which is available to order separately.

**Product information:**

- ▶ The pre-balance reaches G6.3 3,000 rpm. Higher balancing grade and revolution can be done upon request but additional charge is needed.
- ▶ AD+B type is available, please inform us when making an order.

Pull Stud	Screw	Torque Wrench Adapter (Pull Stud)	Spanner (Pull Stud)
			
P.W-70	P.W-109	P.W-78	P.W-82

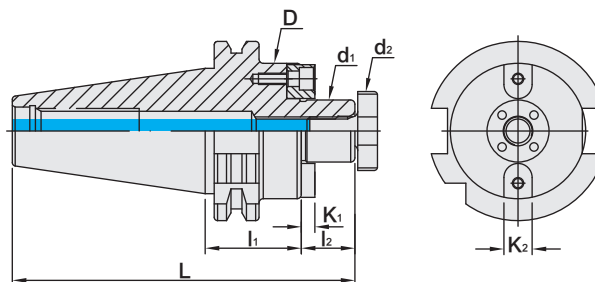
# SDAT FACE MILL ARBOR

## FMC TYPE

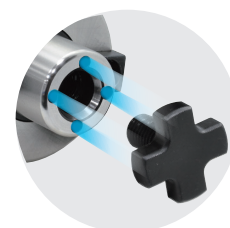
Dual  
DRIVE+

SDAT / FMC 法蘭加厚型平面銑刀桿

(DIN 6357-B)



MODEL NO.	TYPE	L	l <sub>1</sub>	l <sub>2</sub>	D	d <sub>1</sub>	d <sub>2</sub>	K <sub>1</sub>	K <sub>2</sub>	WEIGHT (KGS)
5066-157-016-050	SDAT40 x FMC16 - 50	135.4	50	17	40	16	20	5	8	1.27
5066-157-022-050	SDAT40 x FMC22 - 50	137.5	50	19	50	22	28	4.8	10	1.45
5066-157-027-060	SDAT40 x FMC27 - 60	149.4	60	21	60	27	35	5.8	12	1.57
5066-157-032-060	SDAT40 x FMC32 - 60	152.4	60	24	78	32	42	6.8	14	1.87
5067-157-016-050	SDAT50 x FMC16 - 50	168.75	50	17	40	16	20	5	8	3.05
5067-157-022-050	SDAT50 x FMC22 - 50	170.75	50	19	50	22	28	4.8	10	3.07
5067-157-027-050	SDAT50 x FMC27 - 50	172.75	50	21	60	27	35	5.8	12	3.10
5067-157-032-060	SDAT50 x FMC32 - 60	185.75	60	24	78	32	42	6.8	14	3.65
5067-157-040-070	SDAT50 x FMC40 - 70	198.75	70	27	89	40	52	7.9	16	4.25



### Features:

- ▶ With four coolant holes on the face of tool holder to match with face mill cutters with coolant holes.
- ▶ Tolerance of d1 the connection part with cutter: h6, which is good for less chatter and longer cutter life.

### Product information:

- ▶ The pre-balance reaches G6.3 3,000 rpm. Higher balancing grade and revolution can be done upon request but additional charge is needed.
- ▶ AD+B type is available, please inform us when making an order.

### Standard Accessory: • NUT • SPANNER

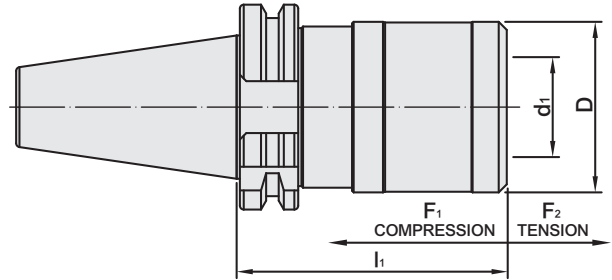
Nut	Pull Stud	Spanner	Torque Wrench Adapter (Pull Stud)	Spanner (Pull Stud)
P.W-74	P.W-70	P.W-74	P.W-78	P.W-82



# SDAT / QTC QUICK CHANGE TAPPING CHUCK

With length compensation on tension and compression

SDAT / QTC 法蘭加厚型快換式扭力攻牙刀桿 [伸縮緩衝型]







MODEL NO.	TYPE	TAPPING COLLET	TAPPING CAPACITY	COMPENSATION		l <sub>1</sub>	D	d <sub>1</sub>	WEIGHT (KGS)
				F <sub>1</sub>	F <sub>2</sub>				
5066-580-001-075	SDAT40 x QTC1 - 75	TCS - 1B	M3 - M14	7.5	7.5	75	36	19	1.24
5066-580-002-110	SDAT40 x QTC2 - 110	TCS - 2B	M8 - M24	12.5	12.5	110	53	31	1.88
5066-580-003-160	SDAT40 x QTC3 - 160	TCS - 3B	M14 - M36	20	20	160	78	48	3.54
5067-580-001-085	SDAT50 x QTC1 - 85	TCS - 1B	M3 - M14	7.5	7.5	85	36	19	3.25
5067-580-002-105	SDAT50 x QTC2 - 105	TCS - 2B	M8 - M24	12.5	12.5	105	53	31	3.76
5067-580-003-150	SDAT50 x QTC3 - 150	TCS - 3B	M14 - M36	20	20	150	78	48	5.40

#### Features:

- ▶ Quick and easy tool change in seconds!
- ▶ Absorb any inaccuracies between the rotating spindle and the moving Z-axis, increasing tap life and the improving tapping quality.
- ▶ Most commonly used for old CNC machines without rigid tapping. The length compensation prevents oversized threads and helps prevent tap breakage from excessive torque or over travel when the tap hits the bottom of the hole.

#### Synchronized Tapping Holder:

- ▶ Ideal for everyday tapping, high speed and high production tapping for modern CNC machines capable of rigid tapping.
- ▶ Also ideal for high-end tapping applications in modern CNC machines, such as: small taps or difficult materials resulting in high torque loads.

Tapping Collet	Pull Stud	Torque Wrench Adapter (Pull Stud)	Spanner (Pull Stud)
			
P.A-52~54	P.W-70	P.W-78	P.W-82

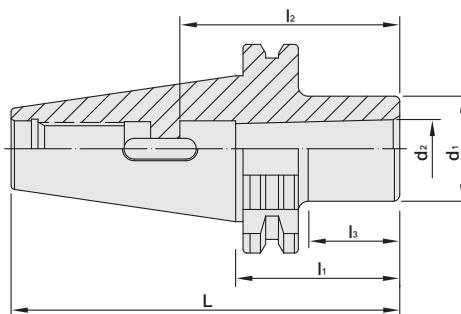
# SDAT MORSE TAPER ADAPTER

## TANG TYPE



SDAT 法蘭加厚型斜柄鑽頭套筒

(DIN ISO 228-2 / 6383)



MODEL NO.	TYPE	L	l <sub>1</sub>	l <sub>2</sub>	l <sub>3</sub>	d <sub>1</sub>	d <sub>2</sub>	WEIGHT (KGS)
5066-465-001-050	SDAT40 x MTA1 - 50	118.4	50	56	22	25	12.065	1.20
5066-465-002-050	SDAT40 x MTA2 - 50	118.4	50	67	27	32	17.78	1.00
5066-465-003-070	SDAT40 x MTA3 - 70	138.4	70	84	47	40	23.825	1.10
5066-465-004-095	SDAT40 x MTA4 - 95	163.4	95	107	74	48	31.267	1.35
5067-465-001-045	SDAT50 x MTA1 - 45	146.75	45	56	22	25	12.065	3.00
5067-465-002-060	SDAT50 x MTA2 - 60	161.75	60	67	35	32	17.78	3.10
5067-465-003-065	SDAT50 x MTA3 - 65	166.75	65	84	40	40	23.825	3.20
5067-465-004-095	SDAT50 x MTA4 - 95	196.75	95	107	70	48	31.267	3.40
5067-465-005-105	SDAT50 x MTA5 - 105	206.75	105	135	80	63	44.399	3.60

**Features:**

- ▶ The tools used for MTA are consistent with Morse Taper DIN 228 FORM B (with tang).

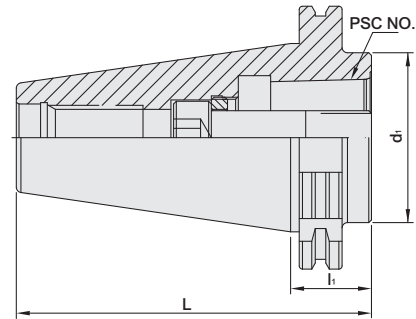
Pull Stud	Torque Wrench Adapter (Pull Stud)	Spanner (Pull Stud)
P.W-70	P.W-78	P.W-82



# SDAT ADAPTER

Dual  
DRIVE+

SDAT 法蘭加厚型套筒



MODEL NO.	TYPE	NO.	L	l <sub>1</sub>	d <sub>1</sub>	T	MAX. TORQUE		WEIGHT (KGS)
							Nm	ft-lbs	
5066-013-140-030	SDAT40 x PSC32 - 30	PSC32	98.4	30	32	M12 x 1.5P	45	33	1.40
5066-013-141-040	SDAT40 x PSC40 - 40	PSC40	108.4	40	40	M14 x 1.5P	55	40	1.50
5066-013-142-050	SDAT40 x PSC50 - 50	PSC50	118.4	50	50	M16 x 1.5P	95	70	1.60
5066-013-143-090	SDAT40 x PSC63 - 90	PSC63	158.4	90	63	M20 x 2.0P	170	125	2.00
5067-013-140-030	SDAT50 x PSC32 - 30	PSC32	131.75	30	32	M12 x 1.5P	45	33	4.20
5067-013-141-030	SDAT50 x PSC40 - 30	PSC40	131.75	30	40	M14 x 1.5P	55	40	4.30
5067-013-142-030	SDAT50 x PSC50 - 30	PSC50	131.75	30	50	M16 x 1.5P	95	70	4.40
5067-013-143-030	SDAT50 x PSC63 - 30	PSC63	131.75	30	63	M20 x 2.0P	170	125	4.50
5067-013-143-100	SDAT50 x PSC63 - 100	PSC63	201.75	100	63	M20 x 2.0P	170	125	5.00
5067-013-143-150	SDAT50 x PSC63 - 150	PSC63	251.75	150	63	M20 x 2.0P	170	125	5.20
5067-013-143-200	SDAT50 x PSC63 - 200	PSC63	301.75	200	63	M20 x 2.0P	170	125	5.40
5067-013-143-250	SDAT50 x PSC63 - 250	PSC63	351.75	250	63	M20 x 2.0P	170	125	5.80
5067-013-143-300	SDAT50 x PSC63 - 300	PSC63	401.75	300	63	M20 x 2.0P	170	125	6.20
5067-013-144-050	SDAT50 x PSC80 - 50	PSC80	151.75	50	80	M20 x 2.0P	170	125	2.90
5067-013-144-070	SDAT50 x PSC80 - 70	PSC80	171.75	70	80	M20 x 2.0P	170	125	3.30
5067-013-144-100	SDAT50 x PSC80 - 100	PSC80	201.75	100	80	M20 x 2.0P	170	125	4.00
5067-013-144-120	SDAT50 x PSC80 - 120	PSC80	221.75	120	80	M20 x 2.0P	170	125	4.70

### Features:

- Convert the machine taper for use with different taper types or taper sizes of tool holders, or offer great flexibility by extending the tooling length.

Pull Stud	Torque Wrench Adapter (Pull Stud)	Spanner (Pull Stud)
		
P.W-70	P.W-78	P.W-82



## MEMO

Blank lined area for writing a memo.

