

BSLight ULTRA



**UFO SMD LED HIGH BAY IP44
WITH COOLING FAN 10 KV
SURGE PROTECTION**
<<<ULTRA SERIES>>>



APPLICATION

- Ideal for Warehouse Lighting, Factory Lighting, Stadium Lighting.

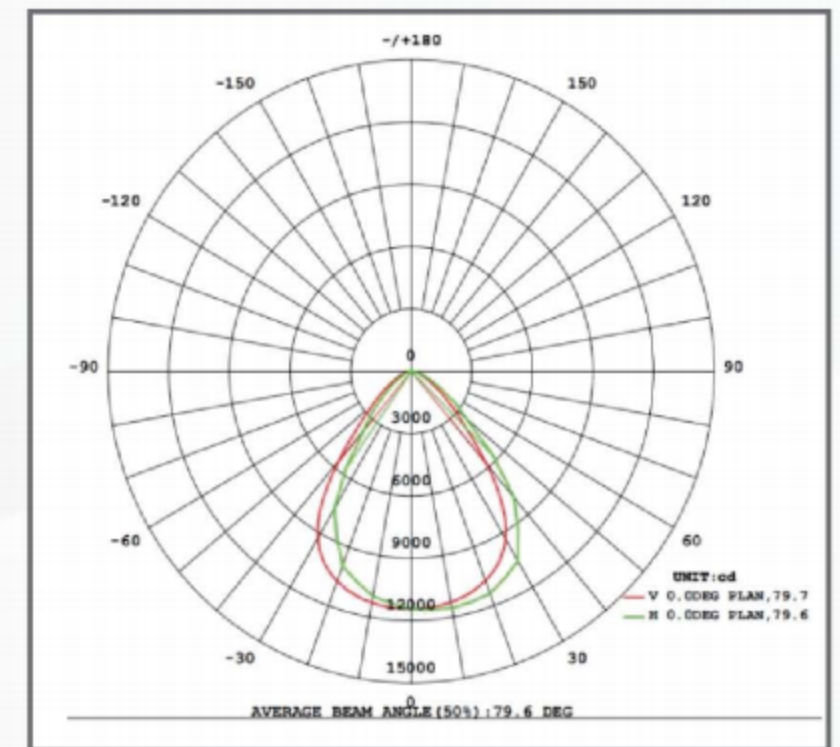


FEATURES

- High Brightness and Long Life LED Chips (50,000Hrs).
- Operating Temp. -20° C ~ 50° C.
- Solid Aluminium Die-Casting Housing.
- DC Brushless Fan Motor.
- Build-In Cooling FAN Design.



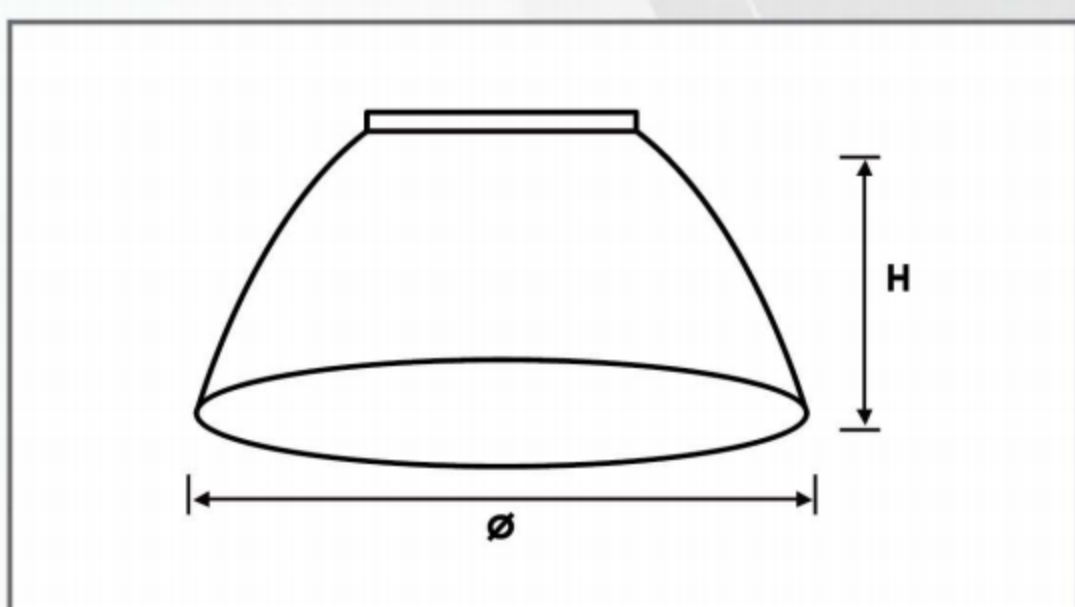
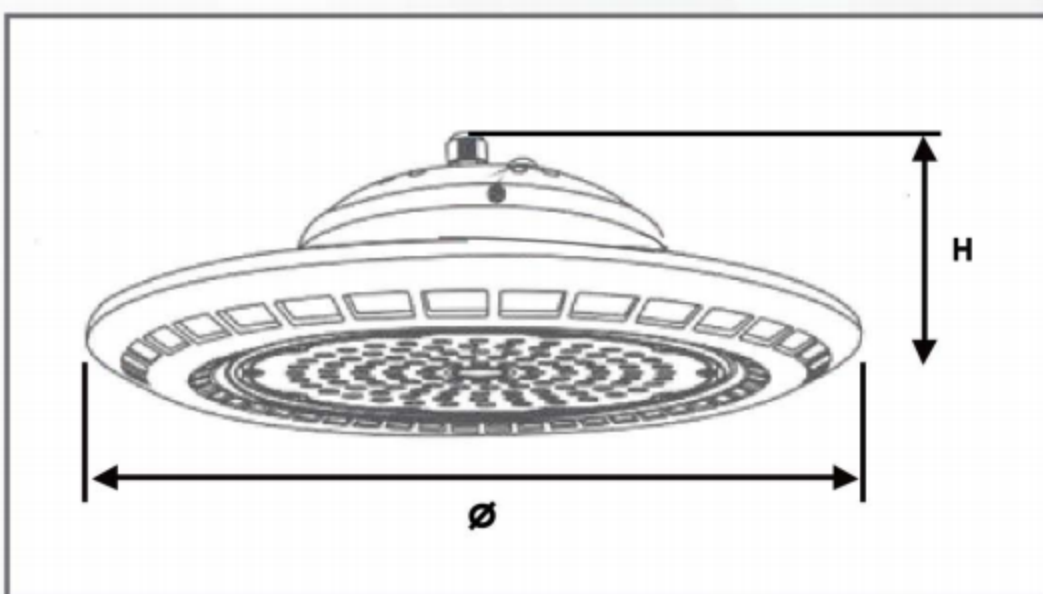
**10KV SURGE
PROTECTION >>**



**Luminous Intensity Distribution
Diagram**



MODEL	POWER (W)	CCT (KT)	LUMEN (LM)	SIZE Ø x H (mm)	NET WEIGHT (Kg)	PACKING
BSHB02-100	100W	6500	13000	290 x 110	2.0	1/CTN
BSHB02-150	150W	6500	19500	345 x 127	3.1	1/CTN
BSHB02-200	200W	6500	26000	400 x 140	3.5	1/CTN
BSHB02-250	250W	6500	32500	400 x 140	3.8	1/CTN
BSHB02-300	300W	6500	39000	400 x 140	4.1	1/CTN



*Dimension For Shade

MODEL	SIZE (cm)	
	Ø	H
100W	38	15
150W	42	17.5
200/250/300W	46	16.5



<<Optional Available To Add-On >>

HIGH BAY 2-1