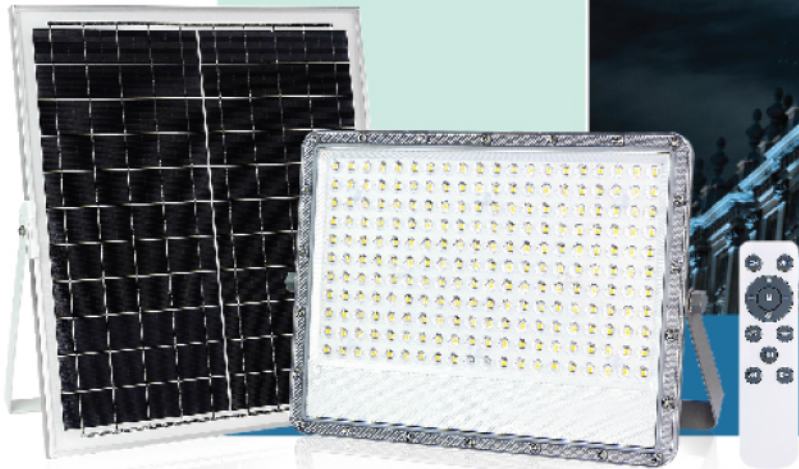


SOLAR FLOODLIGHT

PRESTIGE™

LED ENERGY SAVING LUMINAIRES



IP65 SOLAR FLOODLIGHT

PRODUCT FEATURES

- Wide beam angle
- Fast charging time
- 85% energy saving
- Remote Control

200W

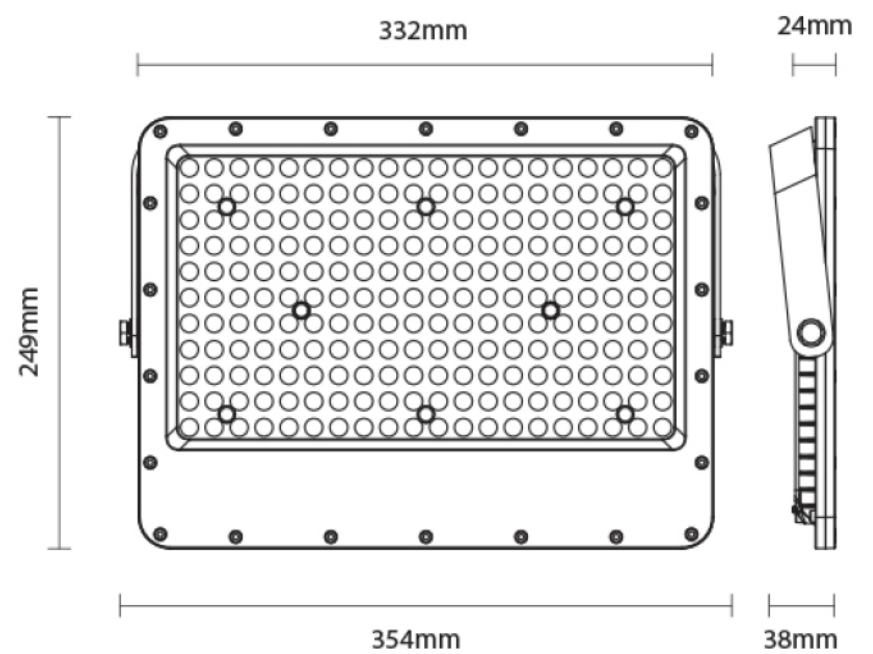
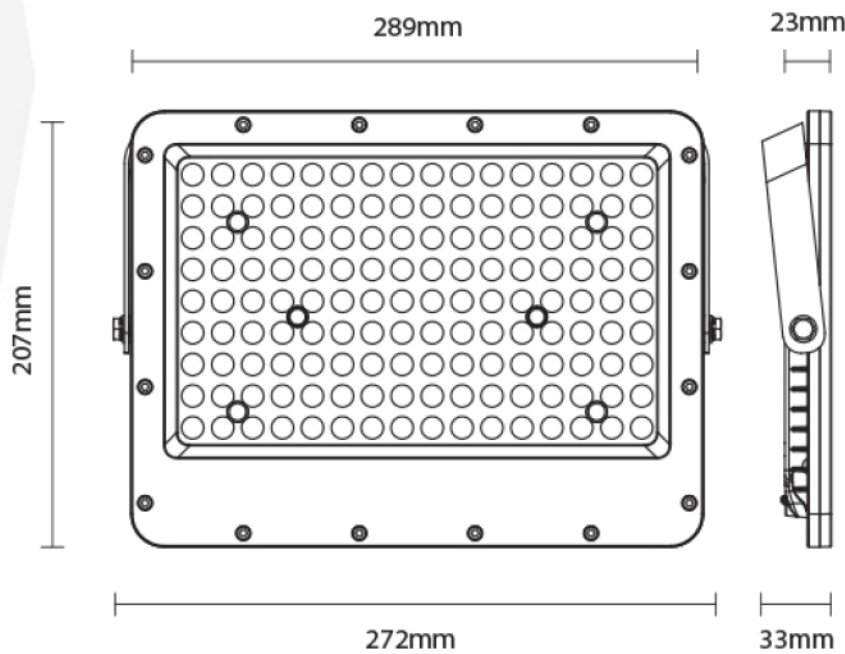
LUMEN
170lm/w

3.7V 20000mAh Solar Panel Size 350mm x 350mm

300W

LUMEN
170lm/w

3.7V 30000mAh Solar Panel Size 530mm x 350mm



200W

DESCRIPTION CCT (K)

PLS-7200-FL 3000K
PLS-7200-FL 6500K

300W

DESCRIPTION CCT (K)

PLS-7300-FL 6500K

CHARGING TIME 5-6 HOURS | CRI 70 | LIFETIME 50,000 HRS

