



Self-Contained Emergency Luminaire PTH-311 (1.0W Power LED)

PTH-311



Specifications

Model	➔ PTH-311.
Mode	➔ Non-maintained.
Weight	➔ 320 grams.
Battery	➔ 2.4V 1.7AH Ni-cad.
Housing	➔ Injection moulded fire retardant, UV stabilize ABS Housing.
Charger	➔ Constant Current.
Mounting	➔ Recess mounted on ceiling.
Dimension	➔ 75 mm (L) x 88 mm (W) x 95 mm (Diameter).
Monitoring	➔ Green / Red LED “ ON ” to indicate charging. Equipped with push test switch to simulate power failure.
Compliance	➔ SIRIM MS 619-2-22:2005. MS IEC 60598-1:2012. Jabatan Bomba dan Penyelamat Malaysia certified.
Light Source	➔ 1.0W high lumen output LED.
Input Voltage	➔ 240V +/- 10% 50Hz.
Recharge Period	➔ 16 - 24 Hours.
Back Up Duration	➔ 3 Hours.
Battery Protection	➔ Low voltage cut-off to prevent over discharging.
Power Consumption	➔ < 5W.
Ingress of Protection	➔ IP - 20.
Operating Temperature	➔ 0 °C to 65 °C.
Lumen	➔ 152.50 lm
Power	➔ 4.584 W
C.C.T	➔ 5892
C.R.I	➔ 74

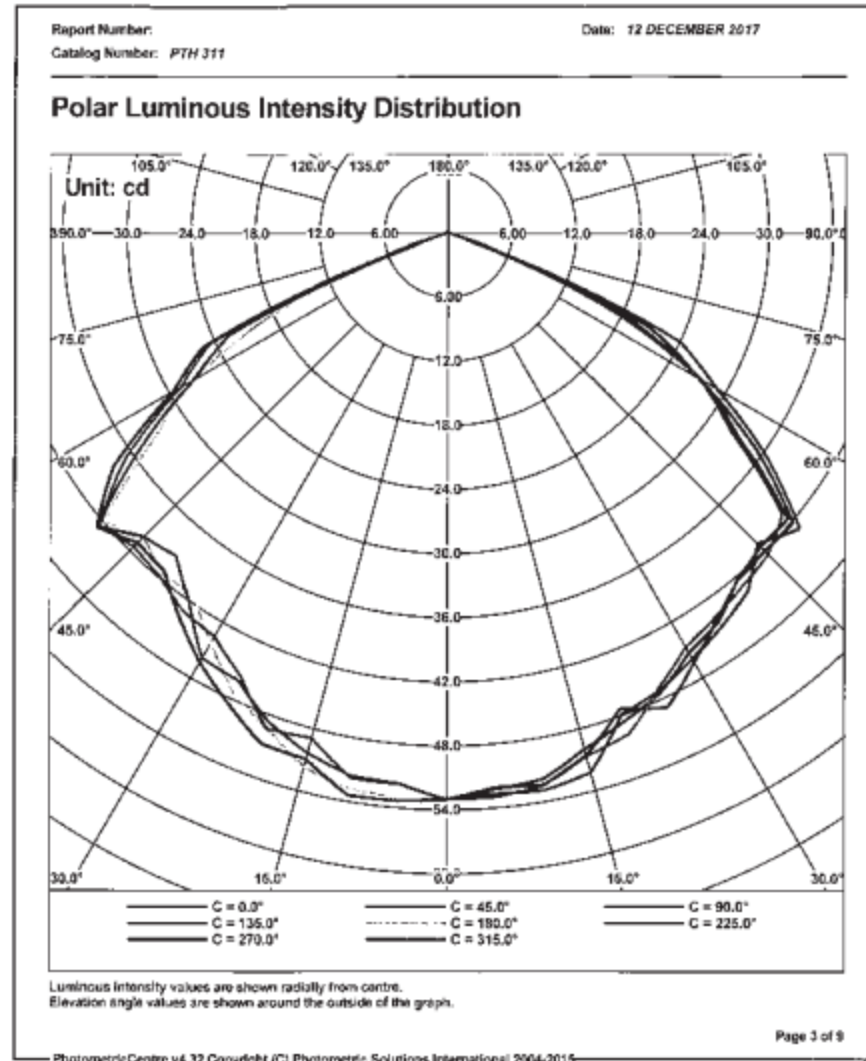


Note : Due to continuous development and improvement, our company reserves the right to change specifications without notice.

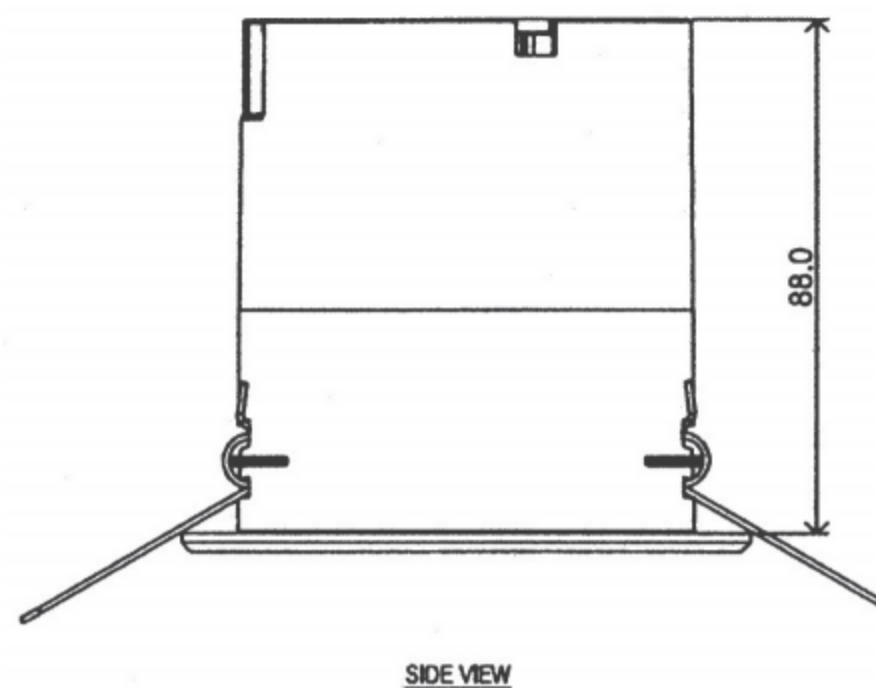
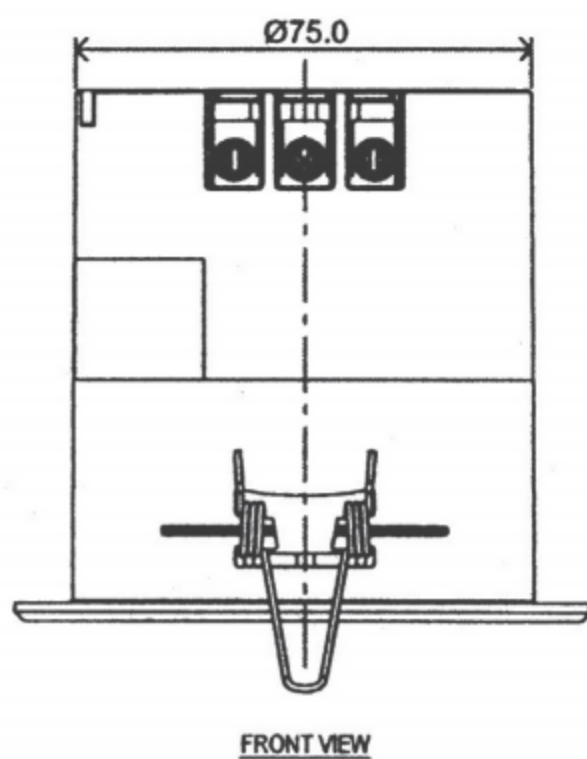
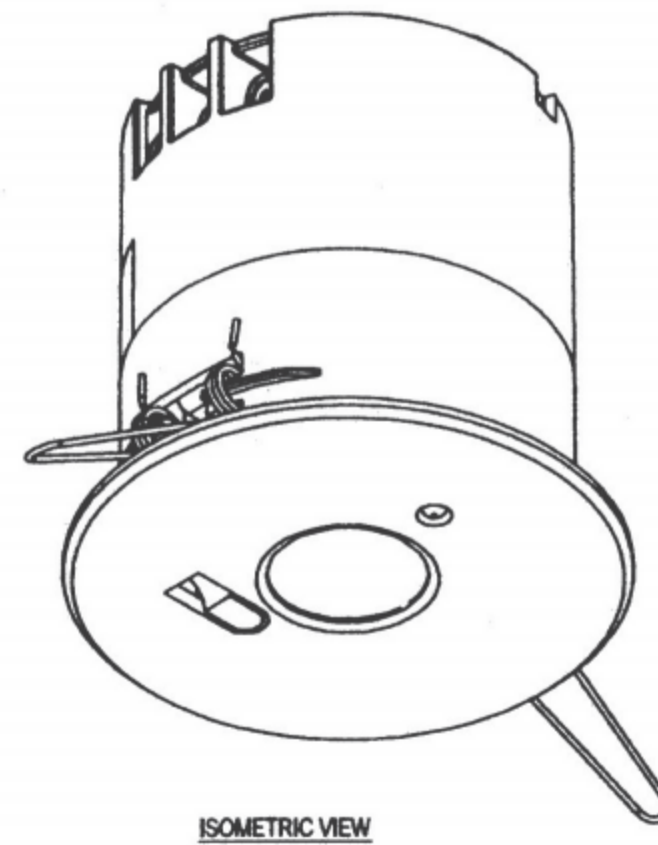
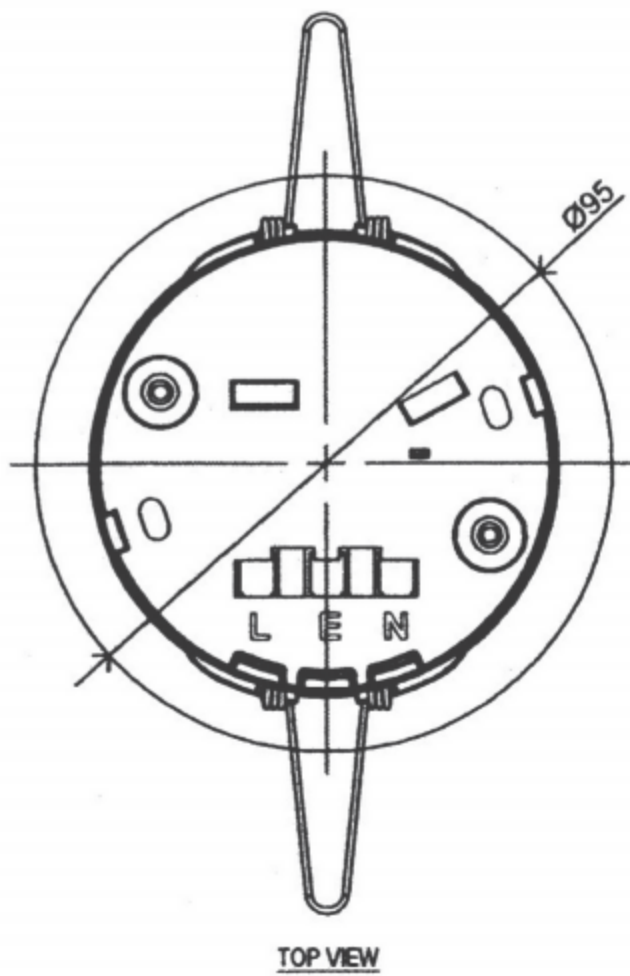
MODEL PTH-311

Self-Contained Emergency Luminaire

1.0W Power LED



SRM QAS International Sdn Bhd
 No. 1, Persiaran Dato' Menteri, P.O. BOX 7931, Section 2
 40700 Shah Alam, Selangor Darul Ehsan, Malaysia.
 Tel: +603 5544 6253
 Fax: +603 5544 6272
 www.srim-qas.com.my



Note : Due to continuous development and improvement, our company reserves the right to change specification without notice.