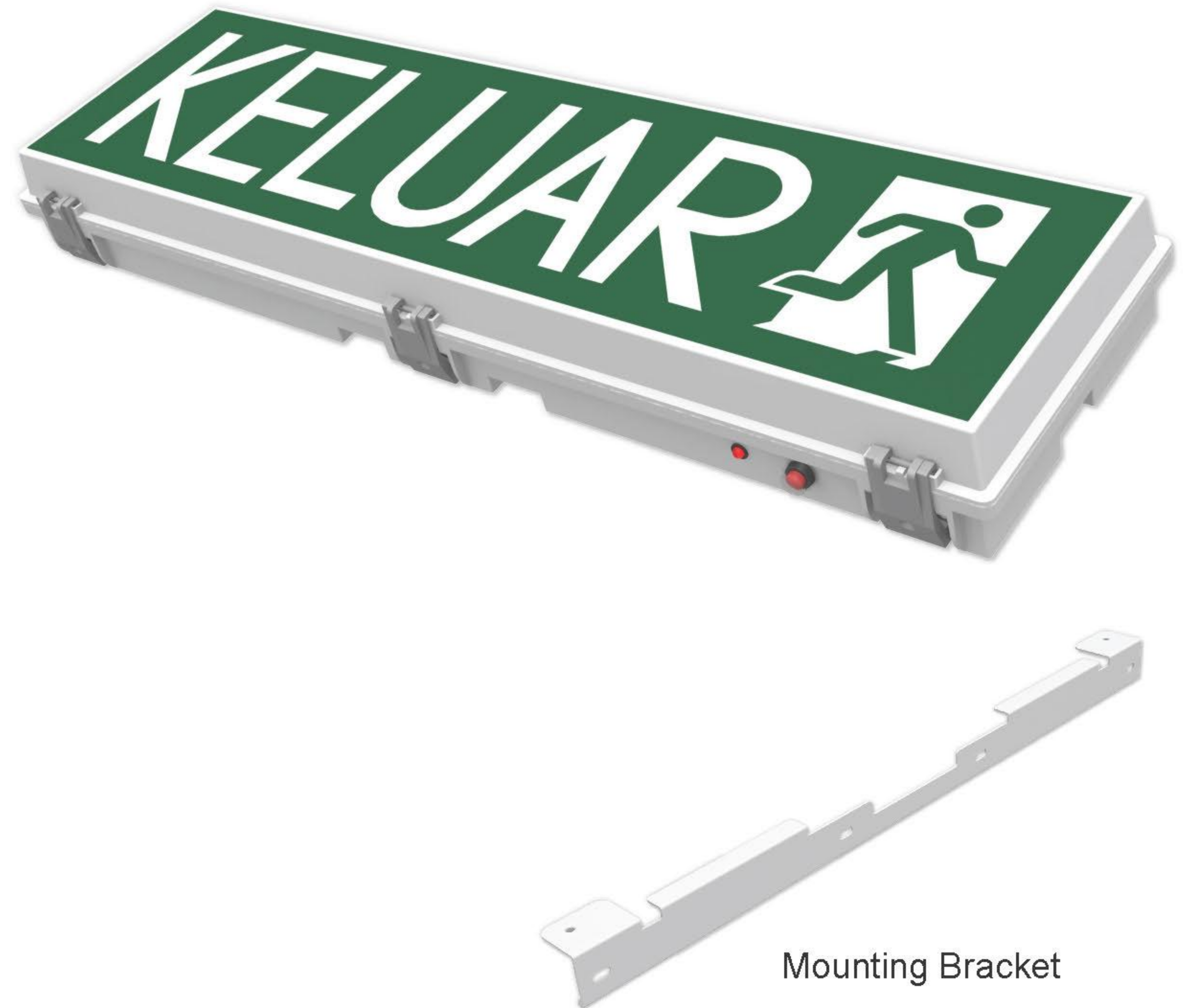


Legend	Model
	VKS 570/WP/RM
	VKS 570/WP/S
	VKS 570/WP/L
	VKS 570/WP/R



Mounting Bracket

Specifications :

Polycarbonate Housing & Diffuser

Mounting Method :

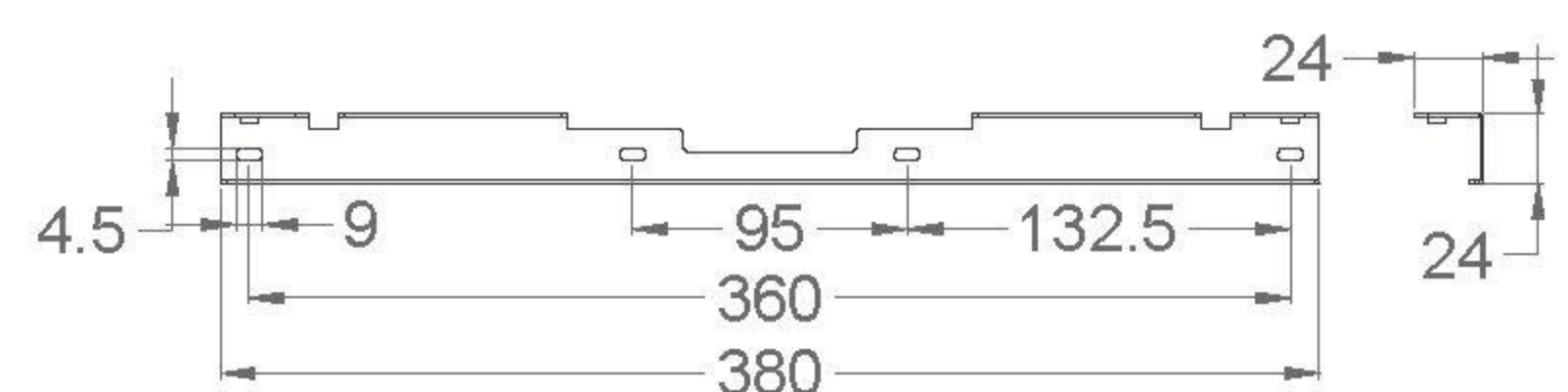
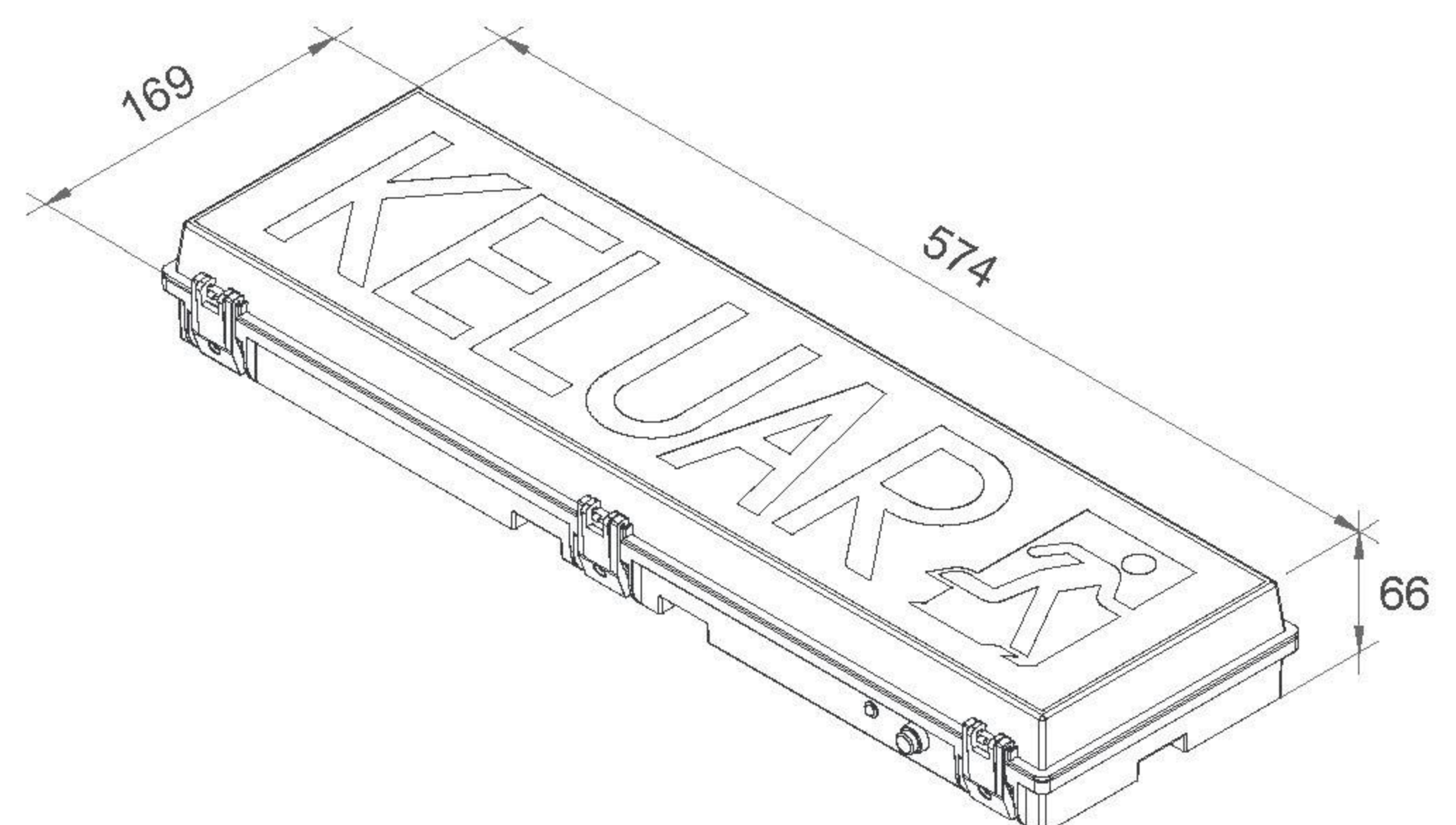
Wall Mounted For Outdoor Area
Above Doors / Exits

Test Standard :

MS 983:2004
MS 619-2-22:2005
MS IEC 60598-1:2012

Certified by :

SIRIM QAS INTERNATIONAL SDN. BHD.
JABATAN BOMBA DAN PENYELAMAT MALAYSIA



Mains Supply	220 – 240V 50/60Hz	Rating	0.01A / 2.5W / 0.9 PF
Mode of Operation	Maintained	Classification	Class II
Lamp	LED 2835 (5 PCS)	Degree of Protection	IP 65
Battery	Ni-Cd AA 3.6V 900mAh	Max. Operating Temperature (ta)	40°C
Emergency Duration	3 Hours	Recommended Mounting Height	Min. 2.3m
Recharge Period	24 Hours	Weight	1.14 KG

Packing : 10 sets per carton box
Outer carton box : L605 X W395 X H405 mm (14.27 kg)
Inner carton box : L588 X W187 X H74 mm (1.30 kg)