



# MASTER LEDspot LV AR111 – Ideal solution for spot lighting in shops

## MASTER LEDspot LV AR111

Delivering a warm, halogen-like accent beam, MASTER LEDspot LV AR111 is an ideal retrofit solution for spot and general lighting applications in the hospitality and retail industry. It is particularly suitable for general lighting where the light is on all the time, such as creative accent lighting applications in shops, restaurants, hotels, and especially for galleries, exhibitions and museums. The robustly designed MASTER LEDspot LV AR111 offers various beam angles for a clearly defined beam spread. There is no UV or IR in the beam, making it suitable for illuminating heat-sensitive objects (food, organic materials, paintings, etc.). The patented intelligent driver enables broad compatibility with existing electromagnetic and electronic halogen transformers. MASTER LEDspot LV AR111 delivers huge energy savings and minimises maintenance cost without any reduction in brightness.

### Benefits

- Up to 80% energy saving compared with halogen lamps
- Broad compatibility with transformers
- Retrofittable

### Features

- Patented intelligent driver
- Lifetime of 45,000 hours
- Low energy consumption
- Clearly defined beam spread
- UV- and IR-free light for less heat and protection for heat-sensitive objects

# MASTER LEDspot LV AR111

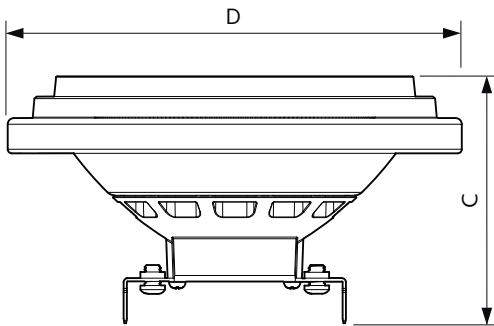
## Application

- Shops, hotels, restaurants, bars, cafés
- Galleries, museums, exhibitions, lobbies, corridors, stairwells, washrooms, reception areas

## Versions



## Dimensional drawing



Product	D	C
MAS LED ExpertColor 15-75W 930 AR111 40D	111 mm	62 mm
MAS LED ExpertColor 15-75W 927 AR111 24D	111 mm	62 mm
MAS LED ExpertColor 15-75W 930 AR111 24D	111 mm	62 mm
MAS LED ExpertColor 15-75W 927 AR111 40D	111 mm	62 mm
MAS LED SpotLV 20-100W 930 AR111 24D	111 mm	62 mm

### Controls and dimming

Dimmable	Yes
----------	-----

### Operating and electrical

Input Frequency	- Hz
Voltage (Nom)	ac electronic 12 V
Starting Time (Nom)	0.5 s

### General information

Cap-Base	G53
Switching Cycle	50000

### Light technical

Llmf At End Of Nominal Lifetime (Nom)	70 %
---------------------------------------	------

### Mechanical and housing

Bulb Shape	AR111
------------	-------

## Approval and application

Order Code	Full Product Name	Energy Consumption kWh/1000 h
929002239008	MAS LED ExpertColor 15-75W 927 AR111 24D	17 kWh
929002239108	MAS LED ExpertColor 15-75W 930 AR111 24D	17 kWh
929002239308	MAS LED ExpertColor 15-75W 927 AR111 40D	17 kWh
929002239408	MAS LED ExpertColor 15-75W 930 AR111 40D	17 kWh
929002239908	MAS LED SpotLV 20-100W 930 AR111 24D	22 kWh

# MASTER LEDspot LV AR111

## Operating and electrical

Order Code	Full Product Name	Wattage	
		Equivalent	Power (Nom)
929002239008	MAS LED ExpertColor 15-75W 927 AR111 24D	75 W	15 W
929002239108	MAS LED ExpertColor 15-75W 930 AR111 24D	75 W	15 W
929002239308	MAS LED ExpertColor 15-75W 927 AR111 40D	75 W	15 W

Order Code	Full Product Name	Wattage	
		Equivalent	Power (Nom)
929002239408	MAS LED ExpertColor 15-75W 930 AR111 40D	75 W	15 W
929002239908	MAS LED SpotLV 20-100W 930 AR111 24D	100 W	20 W

## General information

Order Code	Full Product Name	Nominal Lifetime (Nom)
929002239008	MAS LED ExpertColor 15-75W 927 AR111 24D	40000 h
929002239108	MAS LED ExpertColor 15-75W 930 AR111 24D	40000 h
929002239308	MAS LED ExpertColor 15-75W 927 AR111 40D	40000 h

Order Code	Full Product Name	Nominal Lifetime (Nom)
929002239408	MAS LED ExpertColor 15-75W 930 AR111 40D	40000 h
929002239908	MAS LED SpotLV 20-100W 930 AR111 24D	25000 h

## Light technical (1/2)

Order Code	Full Product Name	Beam		Correlated	Colour
		Angle (Nom)	Colour Code	Temperature (Nom)	Rendering Index (Nom)
929002239008	MAS LED ExpertColor 15-75W 927 AR111 24D	24 °	927	2700 K	97
929002239108	MAS LED ExpertColor 15-75W 930 AR111 24D	24 °	930	3000 K	97
929002239308	MAS LED ExpertColor 15-75W 927 AR111 40D	40 °	927	2700 K	97

Order Code	Full Product Name	Beam		Correlated	Colour
		Angle (Nom)	Colour Code	Temperature (Nom)	Rendering Index (Nom)
929002239408	MAS LED ExpertColor 15-75W 930 AR111 40D	40 °	930	3000 K	97
929002239908	MAS LED SpotLV 20-100W 930 AR111 24D	24 °	930	3000 K	91

## Light technical (2/2)

Order Code	Full Product Name	Luminous Flux (Nom)	Luminous Intensity (Nom)
929002239008	MAS LED ExpertColor 15-75W 927 AR111 24D	950 lm	3500 cd
929002239108	MAS LED ExpertColor 15-75W 930 AR111 24D	1000 lm	3500 cd
929002239308	MAS LED ExpertColor 15-75W 927 AR111 40D	950 lm	1400 cd

Order Code	Full Product Name	Luminous Flux (Nom)	Luminous Intensity (Nom)
929002239408	MAS LED ExpertColor 15-75W 930 AR111 40D	1000 lm	1400 cd
929002239908	MAS LED SpotLV 20-100W 930 AR111 24D	1250 lm	4000 cd

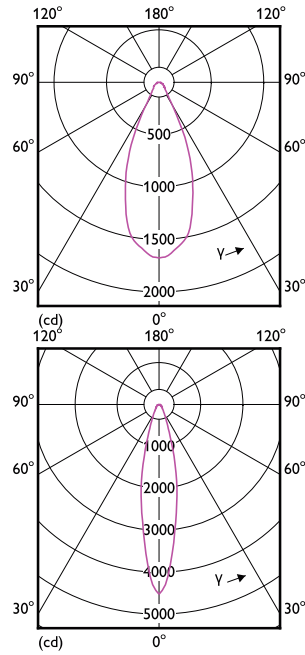
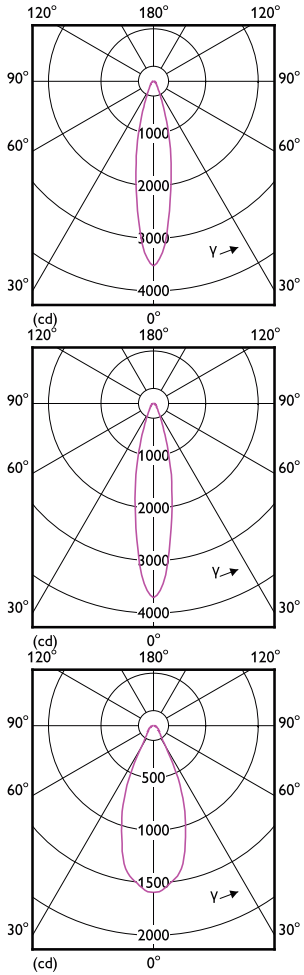
## Temperature

Order Code	Full Product Name	T-Case Maximum (Nom)
929002239008	MAS LED ExpertColor 15-75W 927 AR111 24D	74 °C
929002239108	MAS LED ExpertColor 15-75W 930 AR111 24D	74 °C

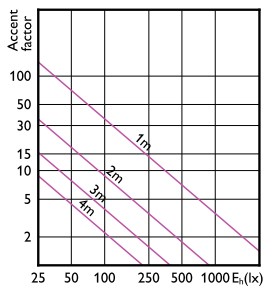
Order Code	Full Product Name	T-Case Maximum (Nom)
929002239308	MAS LED ExpertColor 15-75W 927 AR111 40D	74 °C
929002239408	MAS LED ExpertColor 15-75W 930 AR111 40D	74 °C

# MASTER LEDspot LV AR111

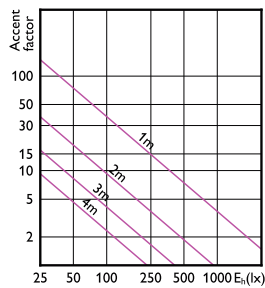
Order Code	Full Product Name	T-Case Maximum (Nom)
929002239908	MAS LED SpotLV 20-100W 930 AR111 24D	80 °C



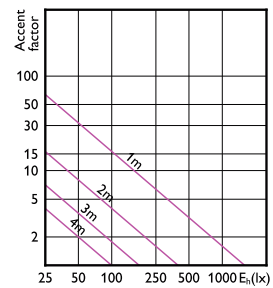
## Accent Diagrams



LEDspots 75W G53 AR111 927 24D



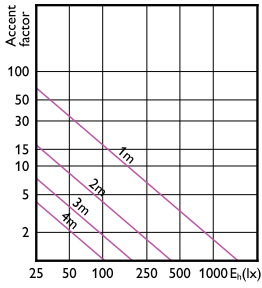
LEDspots 75W G53 AR111 930 24D



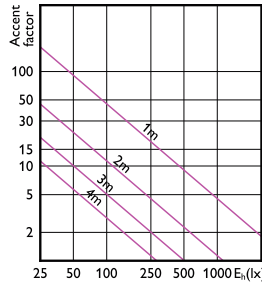
LEDspots 75W G53 AR111 927 40D

# MASTER LEDspot LV AR111

## Accent Diagrams

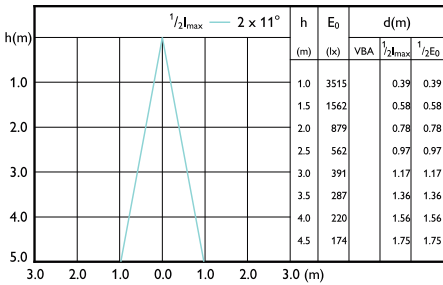


LEDspots 75W G53 AR111 930 40D

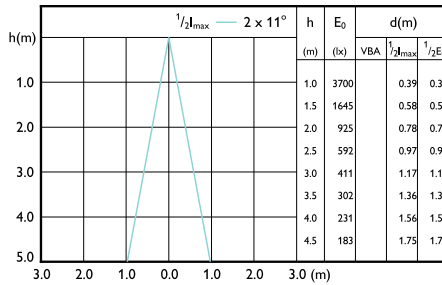


LEDspots 20W AR111 G53 930 25D

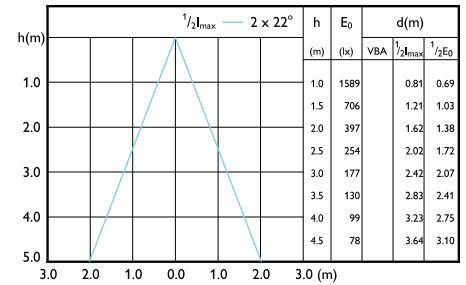
## Beam Diagrams



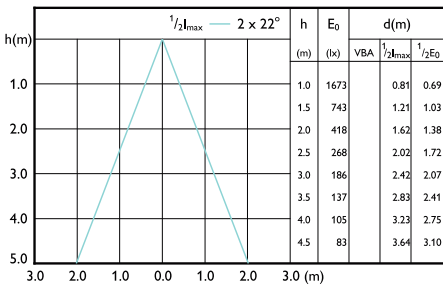
LEDspots 75W G53 AR111 927 24D



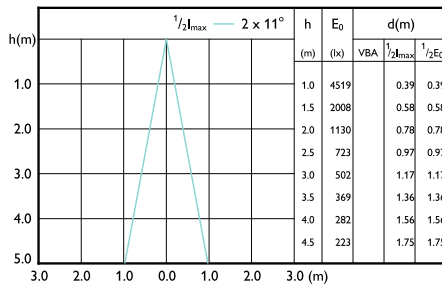
LEDspots 75W G53 AR111 930 24D



LEDspots 75W G53 AR111 927 40D



LEDspots 75W G53 AR111 930 40D



LEDspots 20W AR111 G53 930 25D

