



Essential LEDspot MR16

ESS LED MR16 4.5-50W 36D 865 SO 100-240V

Essential LEDspots MR16 are compatible with most existing fixtures with a GU5.3 socket and are designed as a retrofit replacement for halogen spots. Essential LEDspots MR16 deliver significant energy savings and minimize initial investment.

Product data

General information	
Cap-Base	GU5.3 [GU5.3]
EU RoHS compliant	Yes
Nominal Lifetime (Nom)	15000 h
Switching Cycle	50000
Technical Type	4.5-50W

Light technical	
Color Code	865 [CCT of 6500K]
Beam Angle (Nom)	36 °
Luminous Flux (Nom)	400 lm
Luminous Intensity (Nom)	700 cd
Color Designation	Cool Daylight
Correlated Color Temperature (Nom)	6500 K
Luminous Efficacy (rated) (Nom)	88.00 lm/W
Color Consistency	<6
Color Rendering Index (Nom)	80
LLMF At End Of Nominal Lifetime (Nom)	70 %

Operating and electrical	
Input Frequency	50 to 60 Hz

Power (Rated) (Nom)	4.5 W
Wattage Equivalent	50 W
Starting Time (Nom)	0.5 s
Warm Up Time to 60% Light (Nom)	0.5 s
Power Factor (Nom)	0.4
Voltage (Nom)	100-240 V

Temperature	
T-Case Maximum (Nom)	65 °C

Controls and dimming	
Dimmable	No

Mechanical and housing	
Bulb Shape	MR16 [2inch/50mm]

Approval and application	
Suitable For Accent Lighting	Yes
Energy Consumption kWh/1000 h	4.5 kWh

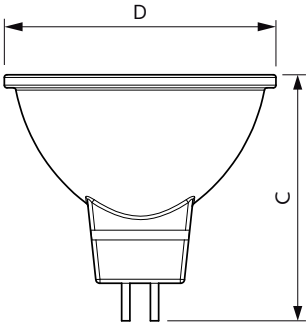
Essential LEDspot MR16

Product data

Full product code	871869680921100
Order product name	ESS LED MR16 4.5-50W 36D 865 SO
EAN/UPC - Product	8718696809211
Order code	929001874108

Numerator - Quantity Per Pack	1
Numerator - Packs per outer box	10
Material Nr. (12NC)	929001874108
Net Weight (Piece)	0.038 kg

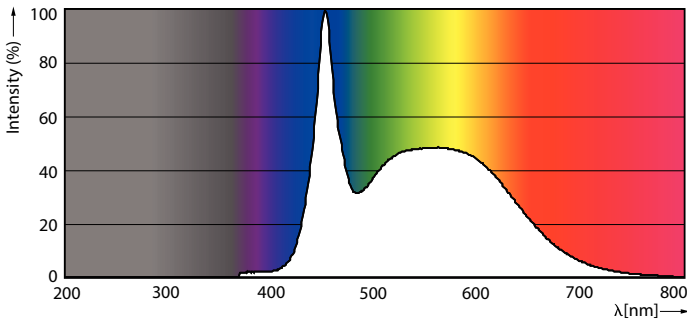
Dimensional drawing



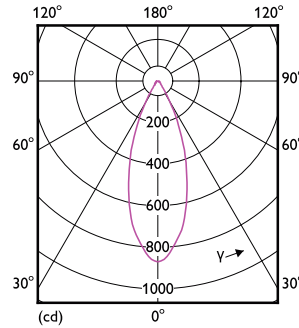
ESS LED MR16 4.5-50W 36D 865 SO 100-240V

Product	D	C
ESS LED MR16 4.5-50W 36D 865 SO 100-240V	50.5 mm	46.5 mm

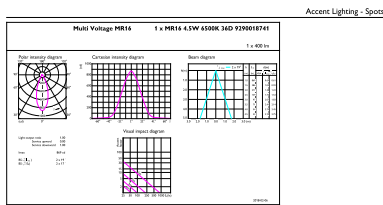
Photometric data



50W GU5-3 MR16



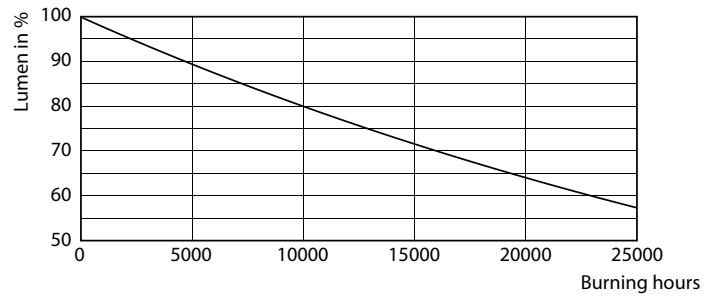
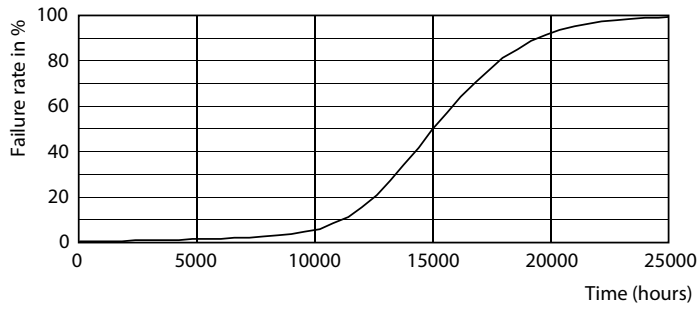
50W GU5-3 MR16 36D 830 3000K



50W GU5-3 MR16 36D 865 6500K

Essential LEDspot MR16

Lifetime



50W GU5-3 MR16

50W GU5-3 MR16

