

EB-Certalume for TL5 lamps

EB-Ci 1-2 14-28W 220-240V 50/60 Hz

Affordable, reliable, high-frequency electronic ballast for TL5 fluorescent lamps, ideal alternative to electromagnetic fluorescent systems ;The cost-saving and reliable EB-C has energy efficiency class A2, and its robust design meets all necessary international standards for safety and EMC. ;The ballast is primarily designed for Indoor application. For outdoor application, the luminaire should be minimum Classland need to be sufficiently protected against water & dust. The installation should also be guard against any lightening surge or any other necessary electrical protection as deemed in such typical installation & application.

Product data

General information	
Lamp Type	TL5
Number of Lamps	1-3 piece/unit
Suitable For Outdoor Use	No
Number of Products on MCB (16A Type B) (Max)	30
Automatic Restart	Yes
Operating and electrical	
Input Voltage	220-240 V
Input Frequency	50 or 60 Hz
Operating Frequency (Nom)	42-60 kHz
Ignition Method	Warm Start
Crestfactor (Max)	1.7
Ignition Time (Nom)	2.0 s
Mains Voltage Performance (AC)	-10%~+10%
Mains Voltage Safety (AC)	198...264V

Earth Leakage Current (Max)	0.5 mA
Inrush Current Width	0.224 ms
Ballast Factor (Nom)	1
Power Factor (Max)	0.98
Power Factor (Min)	0.90
Input Power (Max)	60.1 W
Input Power (Min)	16.6 W
Power Losses (Max)	4.8 W
Power Losses (Nom)	2.1 W
Inrush Current Peak (Max)	17 A
Rated Lamp Power	14-28 W

Wiring

Connector Type Input Terminals	Insert
Cable Capacity Output Wires Mutual (Max)	150 pF
Connector Type Output Terminals	Insert
Cable Length Hot Wiring	0.75 m

EB-Certalume for TL5 lamps

Wire Striplength	7.5-8.5 mm
Input Terminal Cross Section	0.50-1.50 mm ²
Output Terminal Cross Section	0.50-1.50 mm ²
Cable Capacity Output Wires to Earth (Max)	150 pF
Connector Type	Insert

System characteristics

Rated Lamp Power on TL5	14-28 W
System Power on TL5	16.6-60.1 W
Lamp Power on TL5	14.5-27.8 W
Power Loss on TL5	2.1-4.8 W

Temperature

T-Ambient (Max)	50 °C
T-Case Lifetime (Max)	75 °C
T-Case Maximum (Max)	75 °C
T-Ignition (Max)	50 °C
T-Ignition (Min)	-10 °C

Mechanical and housing

Housing Material	Plastic
Housing	L210x30x26mm

Emergency operation

Battery Voltage Lamp Ignition	165-253 V
-------------------------------	-----------

Approval and application

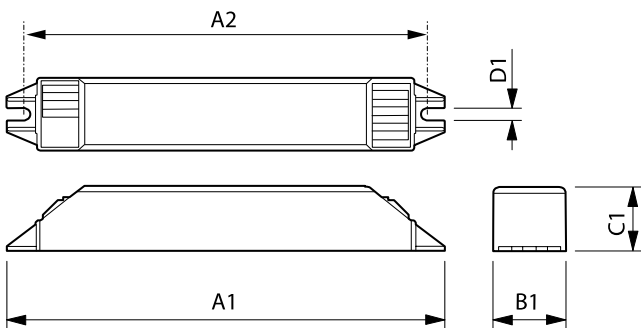
Energy Efficiency Index	A2
-------------------------	----

IP Classification	IP 20 [Ingress Protection 20]
EMI 9 kHz ... 30 MHz	EN55015
EMI 30 MHz ... 1000 MHz	EN 55015
Safety Standard	IEC 61347-2-3,IEC 61347-1
Quality Standard	ISO 9001
Environmental Standard	ISO 14001
EMC Immunity Standard	EN 55015
Vibration Standard	IEC 60068-2-29 FB
Bumps Standard	Not specified
Approval Marks	CB Certificate CCC certificate TISI marking PSB certification RCM compliance SNI Certificate CS Compliance IRAM Compliance
Temperature Marking	Yes
Hum And Noise Level	< 30 dB(A)

Product data

Full product code	694793913355000
Order product name	EB-Ci 1-2 14-28W 220-240V 50/60 Hz
EAN/UPC - Product	6947939133550
Order code	913713043280
Numerator - Quantity Per Pack	1
Numerator - Packs per outer box	30
Material Nr. (12NC)	913713043280
Net Weight (Piece)	0.080 kg

Dimensional drawing



EB-Ci 1-2 14-28W 220-240V 50/60 Hz

Product	A1	A2	B1	C1	D1
EB-Ci 1-2 14-28W 220-240V 50/60 Hz	210 mm	200 mm	30 mm	26 mm	4.3 mm

EB-Certalume for TL5 lamps

