

S3018

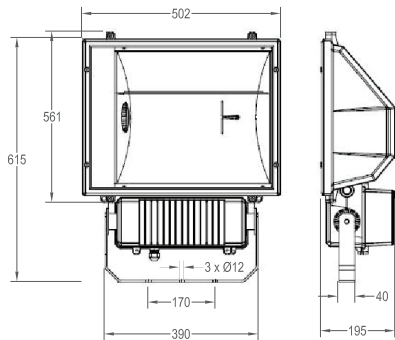


order code

model	lamp type	lamp holder	order code
S3018 MH 1000W	tubular	E40	S3018-M1000
S3018 HPS 1000W	tubular	E40	S3018-S1000
accessories	housing material	IP rated	order code
remote control gear (MH 1000W)	steel c/w epoxy powder	IP43	S5100 UC-M1000
remote control gear (HPS 1000W)	steel c/w epoxy powder	IP43	S5100 UC-S1000
remote control gear (MH 1000W)	die-cast aluminium	IP65	S5100 UA-M1000
remote control gear (HPS 1000W)	die-cast aluminium	IP65	S5100 UA-S1000

note : specifications are subject to change without prior notice

dimension



features

housing

- high pressure aluminium die-cast housing with AKzo Nobel Interpon outdoor epoxy powder coating

reflector

- high purity anodized hammered finish aluminium reflector

glass

- thermal resistant tempered glass

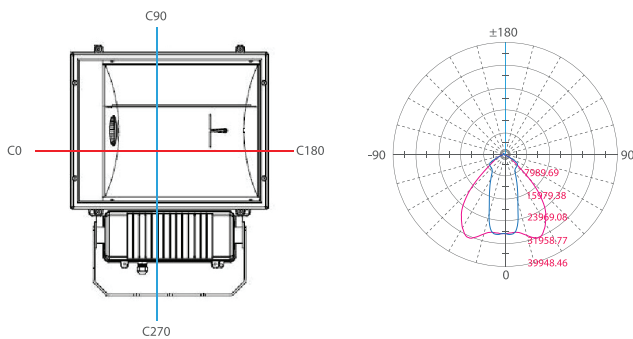
mounting bracket

- steel mounting bracket coated with epoxy powder

lamp holder

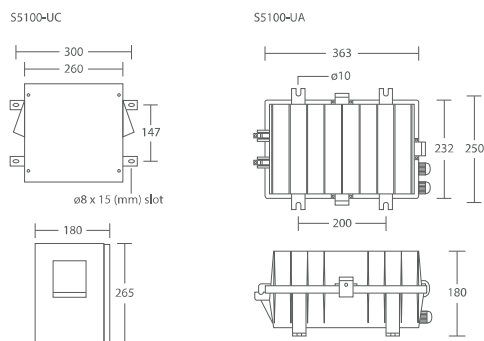
- E40 lamp holder conforming to EN / VDE standard

photometric curve



note : photometric result tested based on 85000lm MH 1000W clear tube

accessories



technical data

- ingress protection • IP65 (lamp fitting)
- voltage • 220 - 240 Vac 50 Hz
- lamp wattage • MH 1000W & HPS 1000W
- holder type • E40 ceramic lamp holder
- floodlight maximum weight • 20.0 kg
- control gear maximum weight • S5100-M1000 : 14 kg / S5100-S1000 : 15.5 kg
- colour of housing • black