



LED Spotlight US

Features

- Clean Beam
- Comfortable Light
- Easy to Use
- Energy Saving

Benefits

- New designed optical microprism reflector with COB chips provides clean beam light free of multiple shadows for professional accent lighting
- Light without flicker reduces stress while working/living underneath
- Spring bracket ensure 1 step plug-and-play installation
- Up to 85% energy saving compared with 35W&50W halogen spot, perfect choice to replace traditional spot lamp

Application



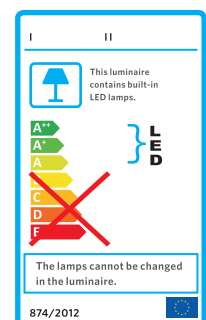
Specification

Item Code	Item Description	Power (W)	Power Factor	Lumen (lm)	Efficacy (lm/W)	Beam Angle (°)	Input Current (mA)	Lifetime (L70B50)	MOQ (pcs)
541003090600	LEDspotlightRA-US R70-4W-3000-WH-GP	4	0.5	270	67.5	24	31	20000	1800
541003090500	LEDspotlightRA-US R70-4W-4000-WH-GP	4	0.5	290	72.5	24	31	20000	1800
541003090400	LEDspotlightRA-US R70-4W-5700-WH-GP	4	0.5	290	72.5	24	31	20000	1800
541003090300	LEDspotlightRA-US R70-6W-3000-WH-GP	6	0.5	400	66.7	24	49	20000	1800
541003090200	LEDspotlightRA-US R70-6W-4000-WH-GP	6	0.5	450	75	24	49	20000	1800
541003090100	LEDspotlightRA-US R70-6W-5700-WH-GP	6	0.5	450	75	24	49	20000	1800
541003089800	LEDspotlightRA-US R70-8W-3000-WH-GP	8	0.5	550	68.8	24	66	20000	1200
541003089900	LEDspotlightRA-US R70-8W-4000-WH-GP	8	0.5	600	75	24	66	20000	1200
541003090000	LEDspotlightRA-US R70-8W-5700-WH-GP	8	0.5	600	75	24	66	20000	1200

Technical Specifications	
CRI	≥80
Colour Consistency (SDCM)	6
Dimmable	No
Housing Colour	White
IP	IP20
IK	IK02
Driver integrated (Yes/No)	Yes
Glow wire test	650°C
Driver failure rate	1% at 5000h
Weight (pc/kg)	0.085

Electrical Supply	
Frequency (Hz)	50/60
Voltage (V)	220-240
AC/DC	AC
Mechanical Properties	
Optical Material	PC
Housing Material	PC
Application Conditions	
Operating Temperature	-25-50°C
Application Temperature	25°C
Storage Environment	-25-50°C

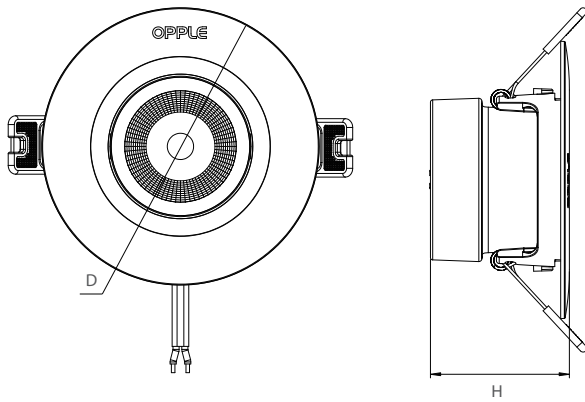
CB



Packaging Information

Item		Single Box(1pc/box)		Outer box		
Item Code	Item Description	Dimensions(mm) (LxWxH)	Gross Weight (kg)	Dimensions(mm) (LxWxH)	Gross Weight (kg)	Packing Qty (pcs/CTN)
541003090600	LEDSpotlightRA-US R70-4W-3000-WH-GP	102*102*62	0.118	530*320*280	7.08	60
541003090500	LEDSpotlightRA-US R70-4W-4000-WH-GP	102*102*62	0.118	530*320*280	7.08	60
541003090400	LEDSpotlightRA-US R70-4W-5700-WH-GP	102*102*62	0.118	530*320*280	7.08	60
541003090300	LEDSpotlightRA-US R70-6W-3000-WH-GP	102*102*62	0.118	530*320*280	7.08	60
541003090200	LEDSpotlightRA-US R70-6W-4000-WH-GP	102*102*62	0.118	530*320*280	7.08	60
541003090100	LEDSpotlightRA-US R70-6W-5700-WH-GP	102*102*62	0.118	530*320*280	7.08	60
541003089800	LEDSpotlightRA-US R70-8W-3000-WH-GP	102*102*62	0.118	530*320*280	7.08	60
541003089900	LEDSpotlightRA-US R70-8W-4000-WH-GP	102*102*62	0.118	530*320*280	7.08	60
541003090000	LEDSpotlightRA-US R70-8W-5700-WH-GP	102*102*62	0.118	530*320*280	7.08	60

Dimensional Drawing



Type	H(mm)	D(mm)	Recessed Cutout(mm)
LED SP-RA-US R70-4W-GP	48	Φ95	Φ70
LED SP-RA-US R70-6W-GP	48	Φ95	Φ70
LED SP-RA-US R70-8W-GP	48	Φ95	Φ70

Photometric Data

