

# NIKKON®

## MURA S STREET LANTERN



MURA S



### LUMINAIRE SPECIFICATIONS

- Power 50W
- Fitting Material Non-Corrosive-Die Cast Aluminium
- Fitting Color White Aluminium, RAL9006
- Optical Cover Clear Tempered Glass
- Ingress Protection IP66
- Impact Protection IK08
- Voltage 220-240Vac 50 / 60Hz
- Electrical Safety Class Class 1
- Operating Temperature -30 ~ +45°C
- Installation Pole Top, Side Entry Ø60mm
- Surge Protection 10KV, 20KA
- Beam Angle 150° x 80° / Type II

### LED MODULE SPECIFICATIONS

- LED Chips LUMILEDS 5050
- Color Temperature 3000K, 4000K, 5000K
- Color Rendering Index (CRI) >70
- L70 100,000 Hrs @ 25°C
- PCB Material Metal Core

### FEATURES

- Clip Tool Free Opening
- Dimming 1-10V
- Spigot Adjustable 0-10°
- Nema Socket 7-pin (Upon Request)

### COMPLIANCE STANDARD

- LED LM80, UL, RoHS
- Driver CE, EN62493, EN61347, EN50581, EN55015, EN61000, EN61547, EN62384

### APPLICATION

- Pathways, Foot Paths, Parks, Car Parks, Access Ways, Road Lightings, Residential Areas

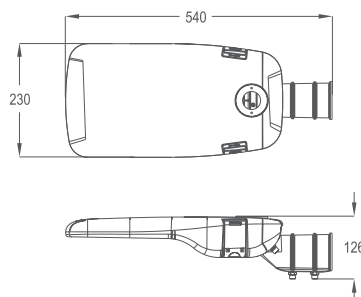
### MEASUREMENT & ORDER CODE

WATTAGE	LED QUANTITY	TYPICAL FLUX, LM	TYPICAL WATTAGE	CARTON DIMENSION (L x W x H)mm	NETT WEIGHT
50W	18	6800	52W	585 x 285 x 180	4.7kg

\* All measurement is base on 5000K CCT

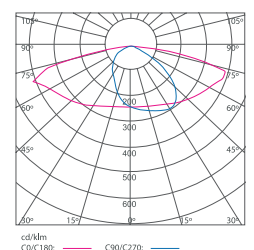
### DIMENSION

MURA S



### PHOTOMETRIC

MURA S 40W



# NIKKON®

## MURA M STREET LANTERN



MURA M



### LUMINAIRE SPECIFICATIONS

- Power 60W  
80W  
100W
- Fitting Material Non-Corrosive-Die Cast Aluminium
- Fitting Color White Aluminium, RAL9006
- Optical Cover Clear Tempered Glass
- Ingress Protection IP66
- Impact Protection IK08
- Voltage 220-240Vac 50 / 60Hz
- Electrical Safety Class Class 1
- Operating Temperature -30 ~ +45°C
- Installation Pole Top, Side Entry Ø60mm
- Surge Protection 10KV, 20KA
- Beam Angle 150° x 80° / Type II

### LED MODULE SPECIFICATIONS

- LED Chips LUMILEDS 5050
- Color Temperature 3000K, 4000K, 5000K
- Color Rendering Index (CRI) >70
- L70 100,000 Hrs @ 25°C
- PCB Material Metal Core

### FEATURES

- Safety Cut-Off Switch
- Clip Tool Free Opening
- Dimming 1-10V
- Spigot Adjustable 0-10°
- Nema Socket 7-pin (Upon Request)

### COMPLIANCE STANDARD

- LED LM80, UL, RoHS
- Driver CE, EN62493, EN61347, EN50581, EN55015, EN61000, EN61547, EN62384

### APPLICATION

- Pathways, Foot Paths, Parks, Car Parks, Access Ways, Road Lightings, Residential Areas

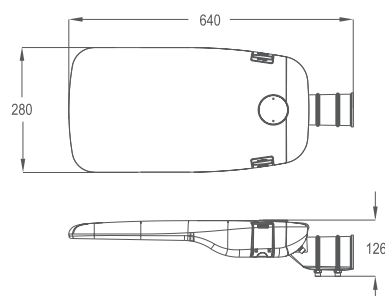
### MEASUREMENT & ORDER CODE

WATTAGE	LED QUANTITY	TYPICAL FLUX, LM	TYPICAL WATTAGE	CARTON DIMENSION (L x W x H) mm	NETT WEIGHT
60W	24	8700	63W	685 x 345 x 180	6.5kg
80W	32	11600	84W	685 x 345 x 180	6.8kg
100W	40	14500	105W	685 x 345 x 180	6.9kg

\* All measurement is base on 5000K CCT

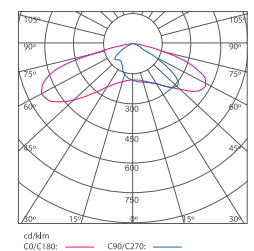
### DIMENSION

MURA M



### PHOTOMETRIC

MURA M 100W



# NIKKON®

## MURA L STREET LANTERN



MURA L



### LUMINAIRE SPECIFICATIONS

- Power 120W  
150W  
180W
- Fitting Material Non-Corrosive-Die Cast Aluminium
- Fitting Color White Aluminium, RAL9006
- Optical Cover Clear Tempered Glass
- Ingress Protection IP66
- Impact Protection IK08
- Voltage 220-240Vac 50 / 60Hz
- Electrical Safety Class Class 1
- Operating Temperature -30 ~ +45°C
- Installation Pole Top, Side Entry Ø60mm
- Surge Protection 10KV, 20KA
- Beam Angle 150° x 80° / Type II

### LED MODULE SPECIFICATIONS

- LED Chips LUMILEDS 5050
- Color Temperature 3000K, 4000K, 5000K
- Color Rendering Index (CRI) >70
- L70 100,000 Hrs @ 25°C
- PCB Material Metal Core

### FEATURES

- Safety Cut-Off Switch
- Clip Tool Free Opening
- Dimming 1-10V
- Spigot Adjustable 0-10°
- Nema Socket 7-pin (Upon Request)

### COMPLIANCE STANDARD

- LED LM80, UL, RoHS
- Driver CE, EN62493, EN61347, EN50581, EN55015, EN61000, EN61547, EN62384

### APPLICATION

- Pathways, Foot Paths, Parks, Car Parks, Access Ways, Road Lightings, Residential Areas

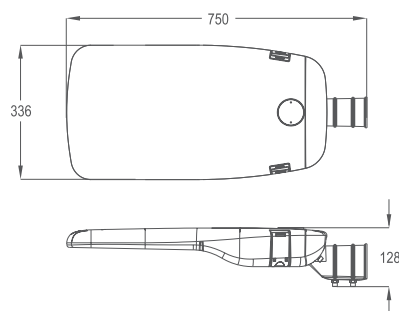
### MEASUREMENT & ORDER CODE

WATTAGE	LED QUANTITY	TYPICAL FLUX, LM	TYPICAL WATTAGE	CARTON DIMENSION (L x W x H)mm	NETT WEIGHT
120W	48	17400	120W	795 x 390 x 180	9.3kg
150W	56	21500	152W	795 x 390 x 180	9.5kg
180W	64	25400	181W	795 x 390 x 180	9.7kg

\* All measurement is base on 5000K CCT

### DIMENSION

MURA L



### PHOTOMETRIC

MURA L 150W

