



LUMINAIRE SPECIFICATIONS

• Power	90W 120W 150W
• Fitting Material	Non-Corrosive Die-Cast Aluminium
• Fitting Color	Dark Gray, Akzo Nobel RAL7012
• Optical Cover	95% Transparency Tempered Glass
• Ingress Protection	IP66
• Impact Protection	IK08
• Voltage	220 ~ 240 Vac 50 / 60Hz
• Electrical Safety Class	Class I
• Operating Temperature	-30 ~ +45°C
• Installation	Ø48 - 60mm Side Entry
• Surge Protections	10KV, 20KA

OPTIONAL FEATURES (UPON REQUEST)

• Driver	Time Control, DALI, 1-10V Dimming, Full Programmable
• Control	Intelligent Light Control System
• Sensor	Mini Photocell, NEMA Photocell

LED MODULE SPECIFICATIONS

• Color Temperature	3000K Warm White 4000K Neutral White 5000K Cool White
• Color Rendering Index (CRI)	>70
• L70	100,000 Hrs @ 25°C
• PCB Material	Ceramic (Alumina Substrate)
• PCB Trace	Silver Conductor (Ag)
• SMD Connector	WAGO 2060 Series

COMPLIANCE STANDARD

• LED	LM80, UL, RoHS
• Driver	CE, EN62493, EN61347, EN50581, EN55015, EN61000, EN61547, EN62384
• Luminaire	LM79, EN60598-1, EN60598-2-3, EN62493, EN55015, EN61547, EN61000, EN62471, CISPR 15, IEC62722



APPLICATION

- Residential Areas, Municipal, Expressway Lightings

MEASUREMENT & ORDER CODE

WATTAGE	ORDER CODE	NO. OF LEDs	TYPICAL LUMINOUS FLUX	TYPICAL WATTAGE	CARTON DIMENSION (L x W x H) mm	NETT WEIGHT
90W	K09121 90W	42	12270	93	660 x 360 x 210	9.0 kg
120W	K09121 120W	56	15800	120	660 x 360 x 210	9.0 kg
150W	K09121 150W	70	19860	151	660 x 360 x 210	9.0 kg

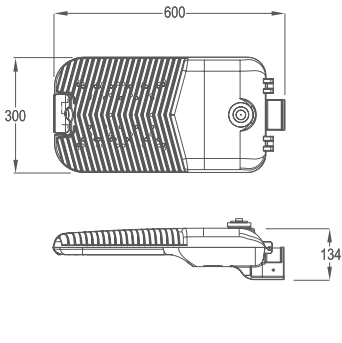
* Please indicate LED color temperature when ordering.

* Programmable dimming LED driver is available upon request.

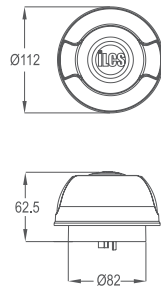
* All result tested base on 5000K CCT LEDs.



DIMENSION

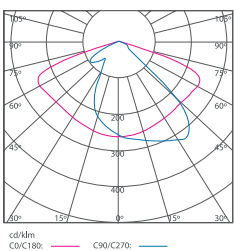


Light Control Unit



PHOTOMETRIC

K09121 150W



Note: All specifications are subject to change without prior notice for product improvement. Images, pictures, and illustrations used are for illustrative purposes only and the color printed may differ from the actual product.