



LUMINAIRE SPECIFICATIONS

- **System Power** 200W
250W
300W
350W
- **Fitting Material** Non-Corrosive Die-Cast Aluminium
- **Fitting Color** Interpon300AS 94-163X2/T
- **Optical Cover** High Transparency Tempered Glass
- **Ingress Protection** IP66
- **Impact Protection** IK08
- **Voltage** 220 ~ 240 Vac 50 / 60Hz
- **Electrical Safety Class** Class I
- **Operating Temperature** -30 ~ +50°C
- **Installation** Ø60mm Side Entry / Post Top
- **Surge Protections** 10KV, 20KA

OPTIONAL FEATURES (UPON REQUEST)

- **Driver** 1-10V Dimming, Full Programmable
- **Optics** Type I, Type II, Type III, Type IV, Type V or Type Asy Lens
- **Control** Intelligent Light Control System
- **Installation** Mounting Bracket (Highmast Lighting)

LED MODULE SPECIFICATIONS

- **Color Temperature** 3000K Warm White
4000K Neutral White
5000K Cool White
- **Color Rendering Index (CRI)** >70
- **L70** 100,000 Hrs @ 25°C
- **PCB Material** Ceramic (Alumina Substrate)
- **PCB Trace** Silver Conductor (Ag)
- **SMD Connector** WAGO 2060 Series

COMPLIANCE STANDARD

- **LED** LM80, UL, RoHS
- **Driver** CE, EN62493, EN61347, EN50581, EN55015, EN61000, EN61547, EN62384
- **Luminaire** LM79, EN60598-1, EN60598-2-3, EN62493, EN55015, EN61547, EN61000, EN62471, CISPR 15, IEC62722



APPLICATION

- Motor Ways, Municipal Areas, Expressways, Highmasts, Tennis / Sport Courts, Carparks, Jetties & Ports

MEASUREMENT & ORDER CODE

WATTAGE	ORDER CODE	NO. OF LEDS	TYPICAL LUMINOUS FLUX	TYPICAL WATTAGE	CARTON DIMENSION (L x W x H) mm	NETT WEIGHT
200W	K09129 S466 200W	80	26360	216	840 x 540 x 275	18.0 kg
250W	K09129 S466 250W	100	32610	265	840 x 540 x 275	18.0 kg
300W	K09129 S466 300W	120	38870	315	840 x 540 x 275	18.0 kg
350W	K09129 S466 350W	120	43610	373	840 x 540 x 275	18.0 kg

* Please indicate LED color temperature and optic when ordering.

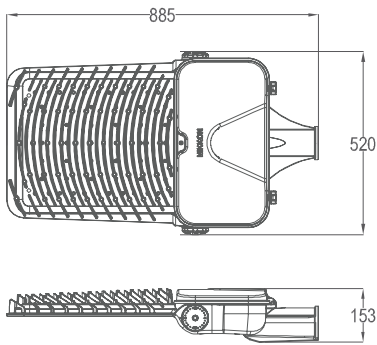
* Programmable dimming LED driver is available upon request.

* All result tested base on 5000K CCT LEDs.

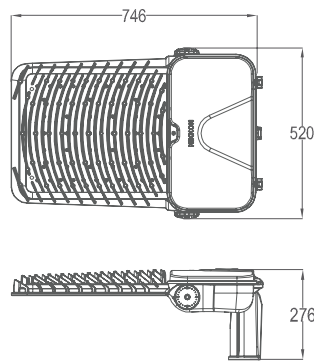


DIMENSION

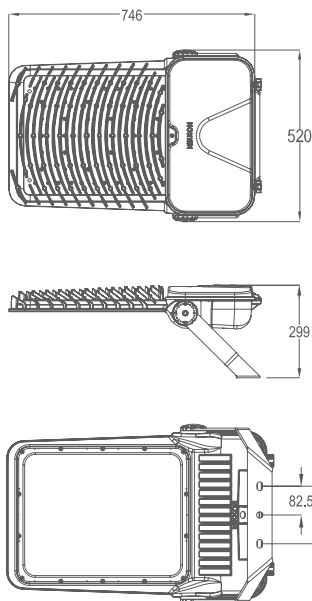
Side Entry



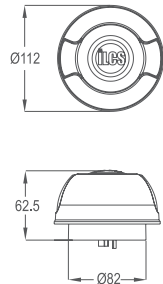
Post Top



Mounting Bracket

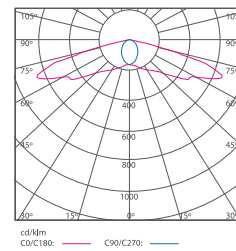


Light Control Unit

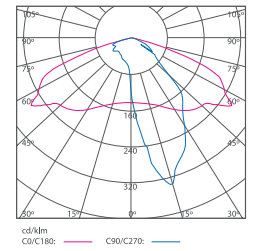


PHOTOMETRIC

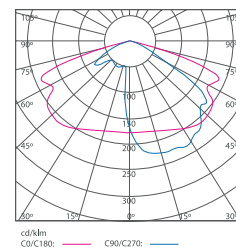
Type I



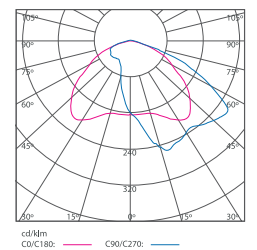
Type II



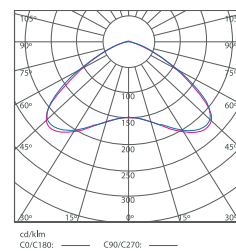
Type III



Type IV



Type V



Type ASY

